

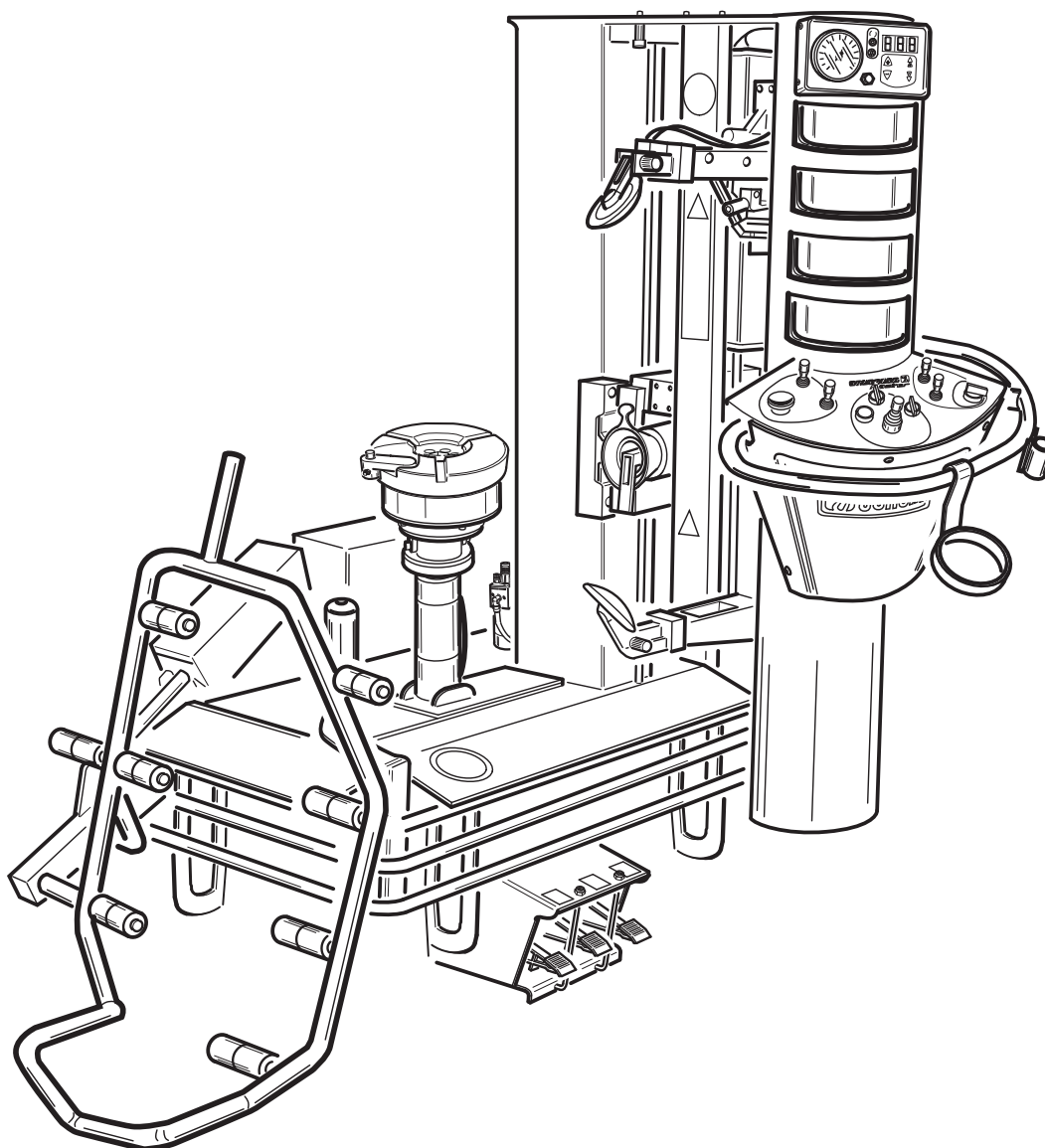
Questo libretto non autorizza l'utente ad intervenire sulle macchine ad esclusione di quanto esplicitamente descritto nel Manuale d'uso, ma consente all'utente di fornire informazioni precise all'Assistenza tecnica, al fine di ridurre i tempi di intervento.

The "Spare parts" booklet does not authorize the user to carry out work on the machine unless expressly specified in the instruction manual, but does enable him to provide accurate information to the assistance service in order to reduce downtime.

Artiglio

Master 26" MI

PEZZI DI RICAMBIO
SPARE PARTS LIST
ERSATZTEILLISTE
PIECES DE RECHANGE



Code

4-104538C

Production from

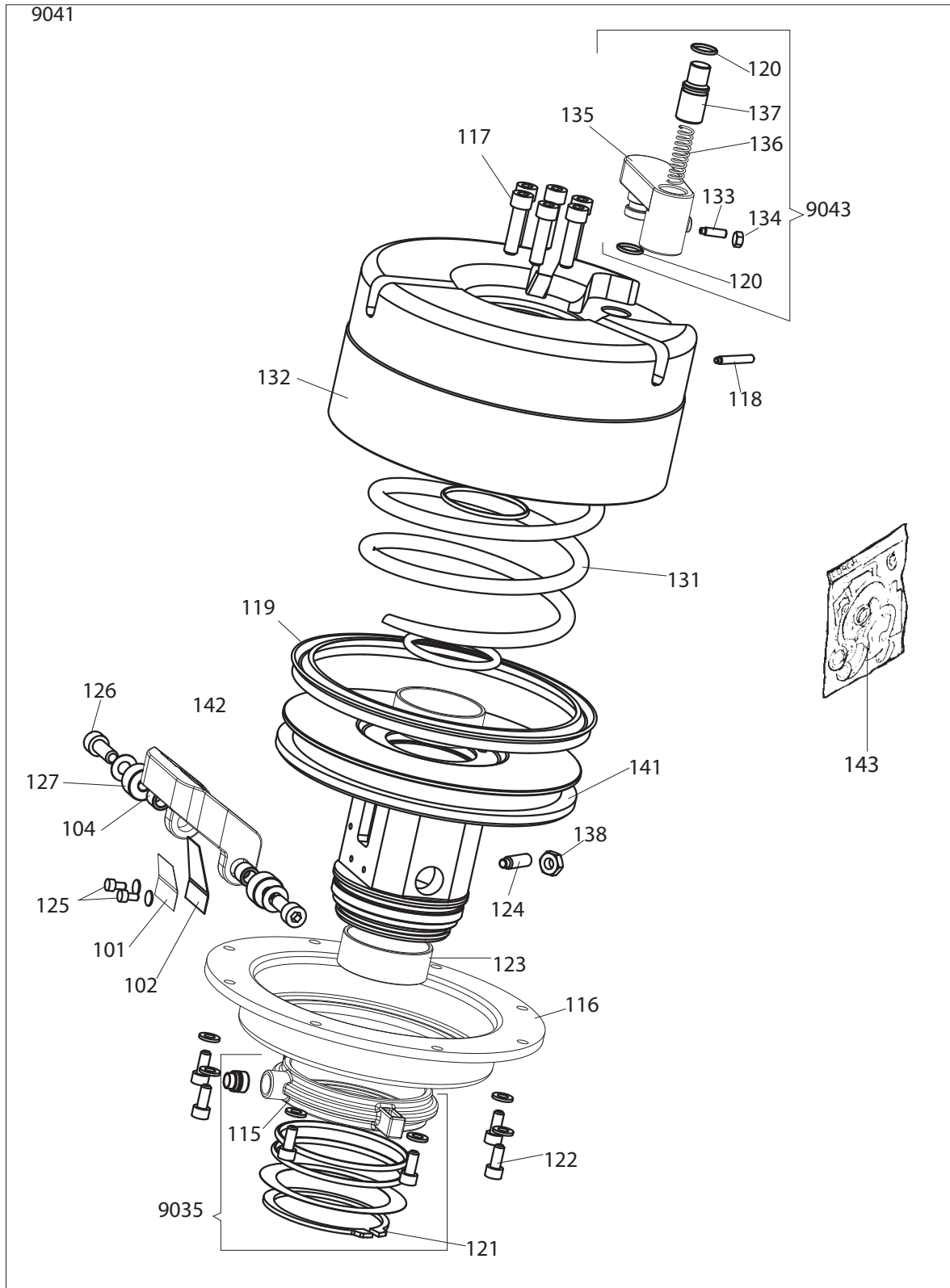
01 / 2008

Der Katalog Ersatzteile stellt keine Genehmigung zu eigenmächtigen Eingriffen dar (mit Ausnahme jener im Handbuch beschriebenen), sondern er soll den Anwender in die Lage versetzen, dem technischen Service präzise Informationen zu liefern, um die Reparaturzeiten zu verkürzen.

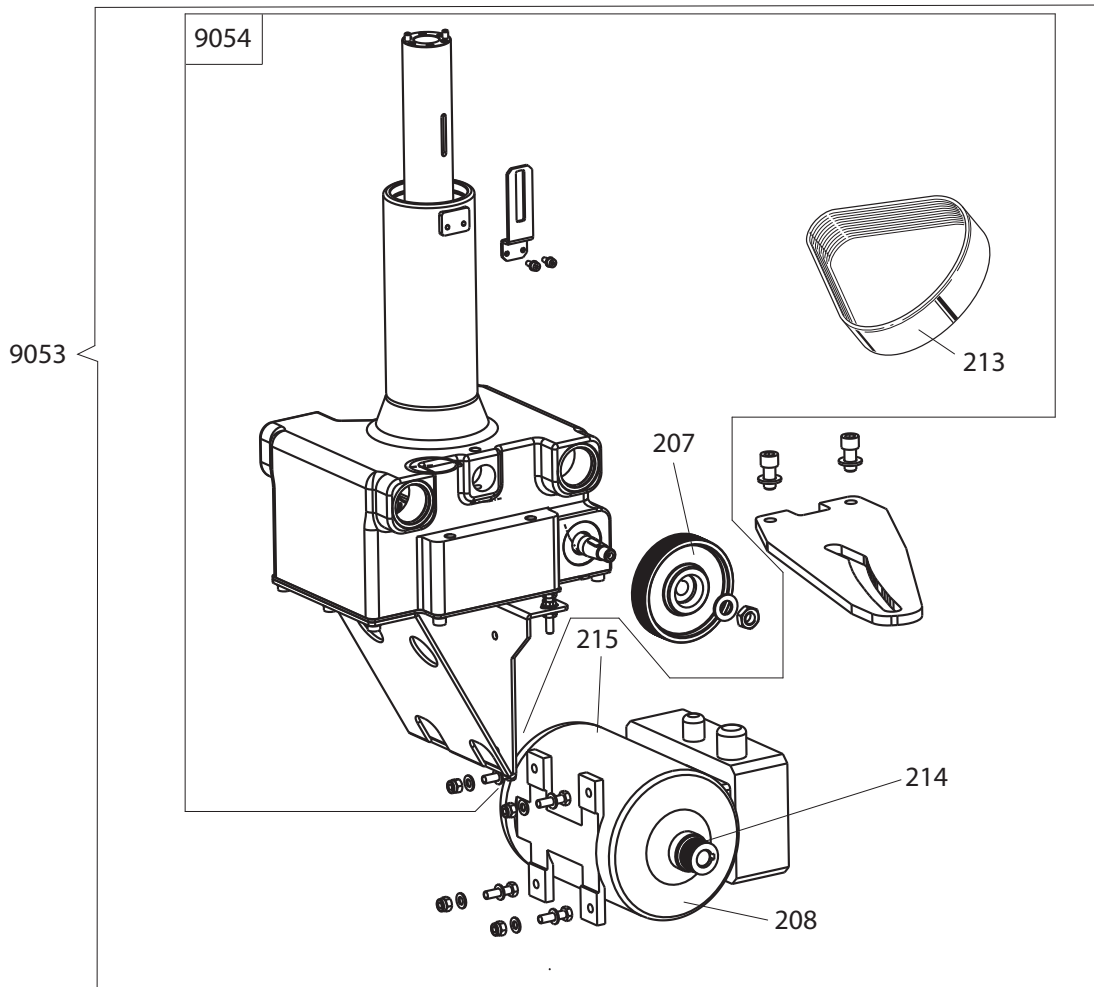
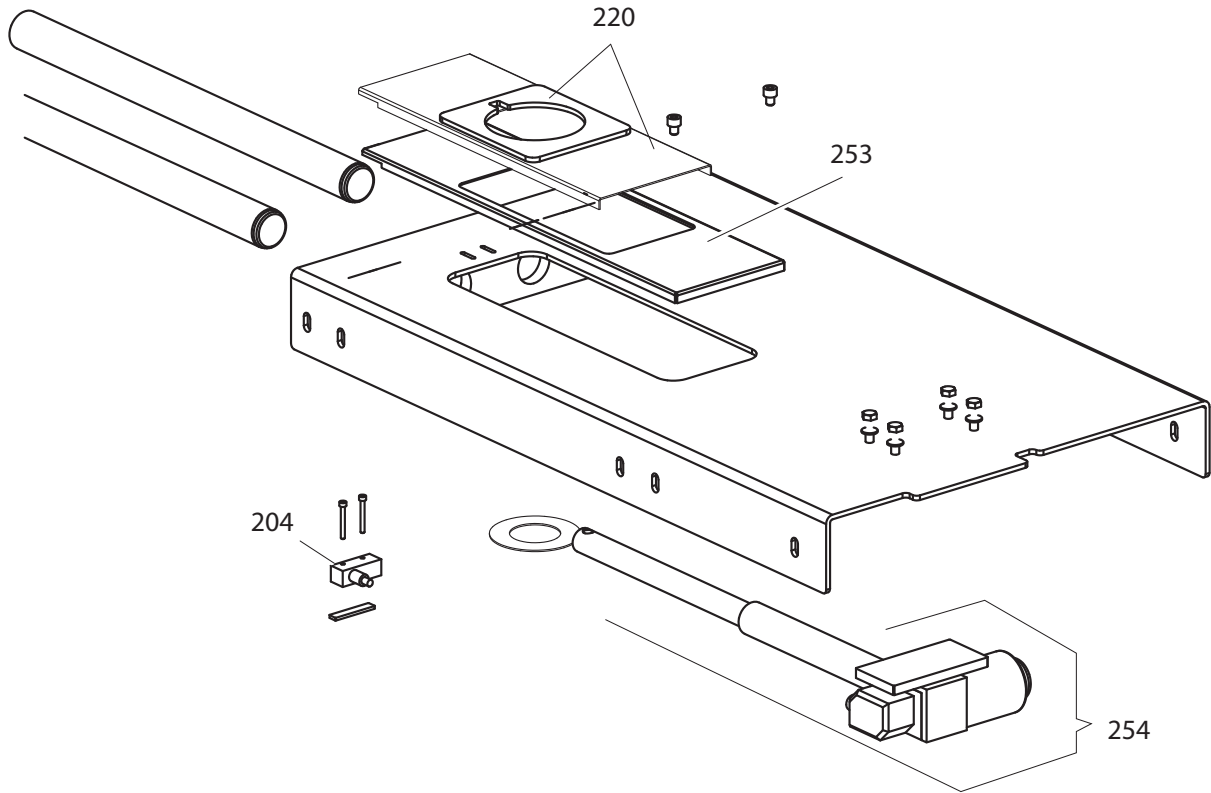


Le livret "Pièces de rechange", n'autorise pas l'utilisateur à intervenir sur les machines, sauf pour tout ce qui est clairement décrit dans le manuel d'utilisation, mais lui permet de fournir des informations précises à l'assistance technique, afin de diminuer les délais d'intervention.

		Artiglio Master 26" MI	Fig. A	09b / 04	Stallonatore
9031	5-100077	DISCO COMPL.	DISK	SCHEIBE	DISQUE
9033	5-100687	DISCO+PERNO SUP.	DISK+PIN	ZAPFENHITPIN	DISQUE+PIVOT
0019	421833	GUARNIZIONE	SEAL	DICHTUNG	JOINT
0045	5-100688	RULLO	ROLLER	WALZE	ROULEAU
0051	4-100721	PERNO ANTISVIT.DX	PIN	ZAPFEN	PIVOT
9032	5-100078	DISCO COMPL.	DISK	SCHEIBE	DISQUE
9053	5-100686	DISCO+PERNO INF.	DISK+PIN	ZAPFENHITPIN	DISQUE+PIVOT
0019	421833	GUARNIZIONE	SEAL	DICHTUNG	JOINT
0045	5-100688	RULLO	ROLLER	WALZE	ROULEAU
0052	4-100720	PERNO ANITISVIT.SX	PIN	ZAPFEN	PIVOT
9003	261424	CILINDRO	CYLINDER	ZYLINDER	CYLINDRE
0005	3-00055	RACCORDO	CONNECTOR	ANSCHLUSS	RACCORD
0030	342900	FLANGIA	FLANGE	FLANSCH	FLASQUE
0037	363627	FLANGIA	FLANGE	FLANSCH	FLASQUE
0050	3-00059	RACCORDO	CONNECTOR	ANSCHLUSS	RACCORD
9004	261436	PISTONE	PISTON	KOLBEN	PISTON
0008	3-00220	RACCORDO	CONNECTOR	ANSCHLUSS	RACCORD
0004	461434	AMMORTIZZATORE	SHOCK ABSORB.	STOSSDAEMPFER	AMORTISSEUR
0011	461430	ANTIVIBRANTE	VIBRATION DAMPER	SCHWINGUNGSDAE.	ANTI-VIBRATION
0012	461428	MOLLA	SPRING	FEDER	RESSORT
0014	361396	RULLO ECCENTRICO	ROLLER	WALZE	ROULEAU
0020	245067	KIT GUARN.(9003)	SEALS KIT(9003)	DICHTUNGSATZ(9003)	KIT JOINTS(9003)
0021	462646	MOLLA	SPRING	FEDER	RESSORT
0022	361422	PERNO	PIN	ZAPFEN	PIVOT
0023	361423	PERNO	PIN	ZAPFEN	PIVOT
0024	363190	ECCENTRICO	ECCENTRIC	NOCKEN	EXCENTRIQUE
0025	463167	MOLLA	SPRING	FEDER	RESSORT
0027	2-03127	DADO	NUT	MUTTER	ECROU
0032	363191	ECCENTRICO	ECCENTRIC	NOCKEN	EXCENTRIQUE
0033	361389	ROTELLA	WHEEL	READCHEN	RUOLETTE
0035	463164	AMMORTIZZATORE	SHOCK ABSORB.	STOSSDAEMPFER	AMORTISSEUR
0036	462713	ANTIVIBRANTE	VIBRATION DAMPER	SCHWINGUNGSDAE.	ANTI-VIBRATION
0038	361395	RONDELLA	WASHER	UNTERLEGSHEIBE	RONDELLE
0039	4-100182	BARRA ESAGONALE	BAR	STANGE	BARRE
0040	361390	PERNO	PIN	ZAPFEN	PIVOT
0041	361392	ATTACCO CILIND.	SUPPORT	LAGER	SUPPORT
0042	361415	STROZZATORE	THROTTLER	BROSSERKLAPPE	ETRANGLEUR
0044	461435	MOLLA	SPRING	FEDER	RESSORT
0046	361385	GANCIO STAL.	HOOK	HAKEN	CROCKET
0048	361393	ATTACCO CILINDRO	ADAPTER	HALTERUNG	GRIFFE
0049	2-01160	VITE	SCREW	SCHRAUBE	VIS
0053	5-102704	PERNO	PIN	ZAPFEN	PIVOT
0054	4-100168	MANIGLIA	HANDLE	HANDGRIFF	POIGNEE



9041	5-102705	AUTOCENTRANTE	TURNTABLE	SPANNFUTTER	PLATEAU AUTOCENTREUR
9035	5-102706	RACCORDO	CONNECTOR	ANSCHLUSS	RACCORD
0115	4-100760	RACCORDO	CONNECTOR	ANSCHLUSS	RACCORD
0121	2-71590	ANELLO	RING	RING	ANNEAU
0119	433339	GUARNIZIONE	SEAL	DICHTUNG	JOINT
0124	2-01322	VITE	SCREW	SCHRAUBE	VIS
0141	4-106066	PISTONE	PISTON	KOLBEN	PISTON
0138	2-00156	DADO	NUT	MUTTER	ECROU
9043	5-102707	LEVA	LEVER	HEBEL	LEVIER
0120	424630	ANELLO	RING	RING	ANNEAU
0133	2-02560	VITE	SCREW	SCHRAUBE	VIS
0134	2-00676	DADO	NUT	MUTTER	ECROU
0135	4-103143	LEVA	LEVER	HEBEL	LEVIER
0136	4-102331	MOLLA	SPRING	FEDER	RESSORT
0137	4-102326	PERNO	PIN	ZAPFEN	PIVOT
0101	361285	BALESTRA	LEAF SPRING	BLATTFEDER	RESSORT A LAMES
0102	361279	BALESTRA	LEAF SPRING	BLATTFEDER	RESSORT A LAMES
0127	361278	DISTANZIALE	SPACER	ABSTANDSSTUECK	ENTRETOISE
0143	5-102708	KIT GUARN. (9041)	SEALS KIT (9041)	DICHTUNGSATZ (9041)	KIT JOINTS (9041)
0116	4-101891	COPERCHIO	LID	DECKEL	COUVERCLE
0117	4-102325	VITE	SCREW	SCHRAUBE	VIS
0118	2-03337	VITE	SCREW	SCHRAUBE	VIS
0122	2-03471	VITE	SCREW	SCHRAUBE	VIS
0123	3-00647	BOCCOLA	BUSHING	LAGER	DOUILLE
0125	2-01965	VITE	SCREW	SCHRAUBE	VIS
0126	2-03348	VITE	SCREW	SCHRAUBE	VIS
0142	4-106063	CRICCHETTO	CRICK	SPERRKLINKE	CLIQUET
0131	4-102327	MOLLA	SPRING	FEDER	RESSORT
0132	4-102070	CENTRAGGIO	SPIGOT	ZENTRIERUNG	CENTRAGE

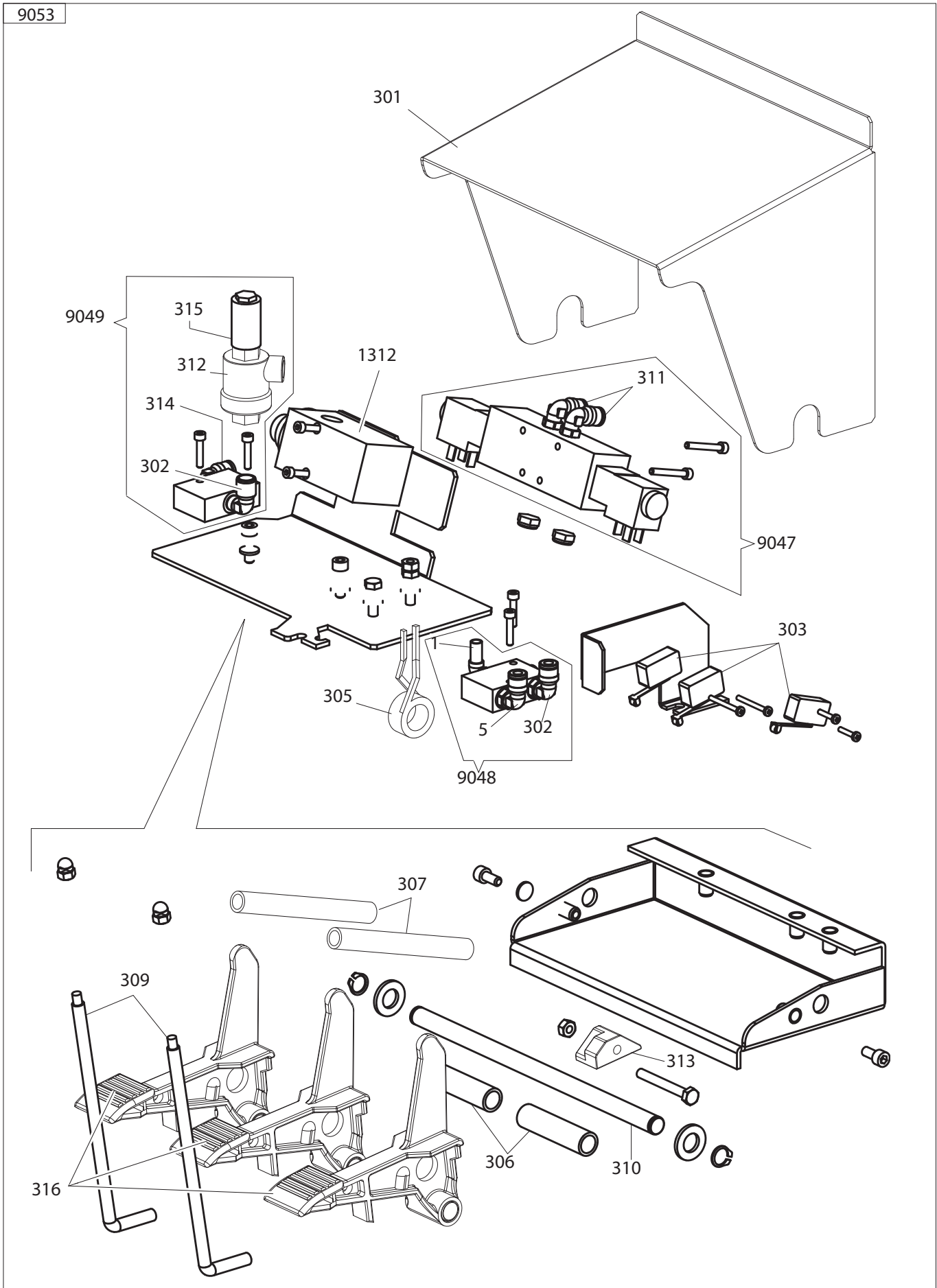


0204	461380	MICROINTERR.	MICROSWITCH	MIKROSCHALTER	MICROINTERRUPTEUR
0220	4-101410	PROTEZIONE	SHIELD	ABDECKUNG	PROTECTION
0253	4-100307	LAMIERA	METAL SHEET	BLECH	TOLE
0254	5-102709	ATTUATORE	ACTUATOR	DREHTRIEB	ACTUATEUR

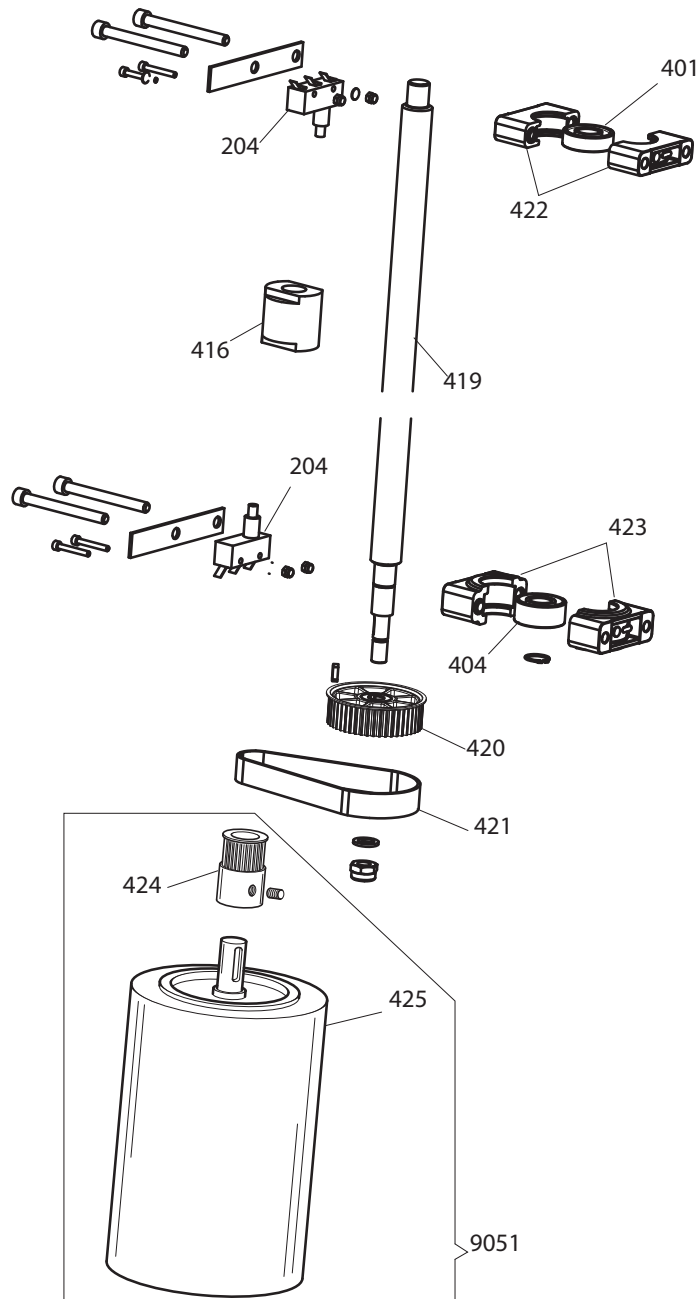
9053	5-102710	RIDUTTORE 230V	GEAR BOX 230V	GETRIEBE 230V	REDUCTEUR 230V
9054	5-190775	RIDUTTORE 230/115V	GEAR BOX 230/115V		
0207	354082	PULEGGIA	PULLEY	RIEMENSCHLEIBE	POULIE
0213	3-00575	CINGHIA	BELT	RIEMEN	COURROIE
0208	4-105908	SK. MOTOINVERTER	P.C.BOARD	ELEK.PLATINE	FICHE ELECTR.
0214	4-104329	PULEGGIA	PULLEY	RIEMENSCHLEIBE	POULIE
0215	5-100785	MOTOINVERTER 230V	MOTOINVERTER		

9053	5-102711	RIDUTTORE 115V	GEAR BOX 115V	GETRIEBE 115V	REDUCTEUR 115V
9054	5-190775	RIDUTTORE 230/115V	GEAR BOX 230/115V		
0207	354082	PULEGGIA	PULLEY	RIEMENSCHLEIBE	POULIE
0213	3-00575	CINGHIA	BELT	RIEMEN	COURROIE
0208	4-105909	SK. MOTOINVERTER	P.C.BOARD	ELEK.PLATINE	FICHE ELECTR.
0215	5-101432	MOTOINVERTER 115V	MOTOINVERTER		
0214	4-104329	PULEGGIA	PULLEY	RIEMENSCHLEIBE	POULIE

9053

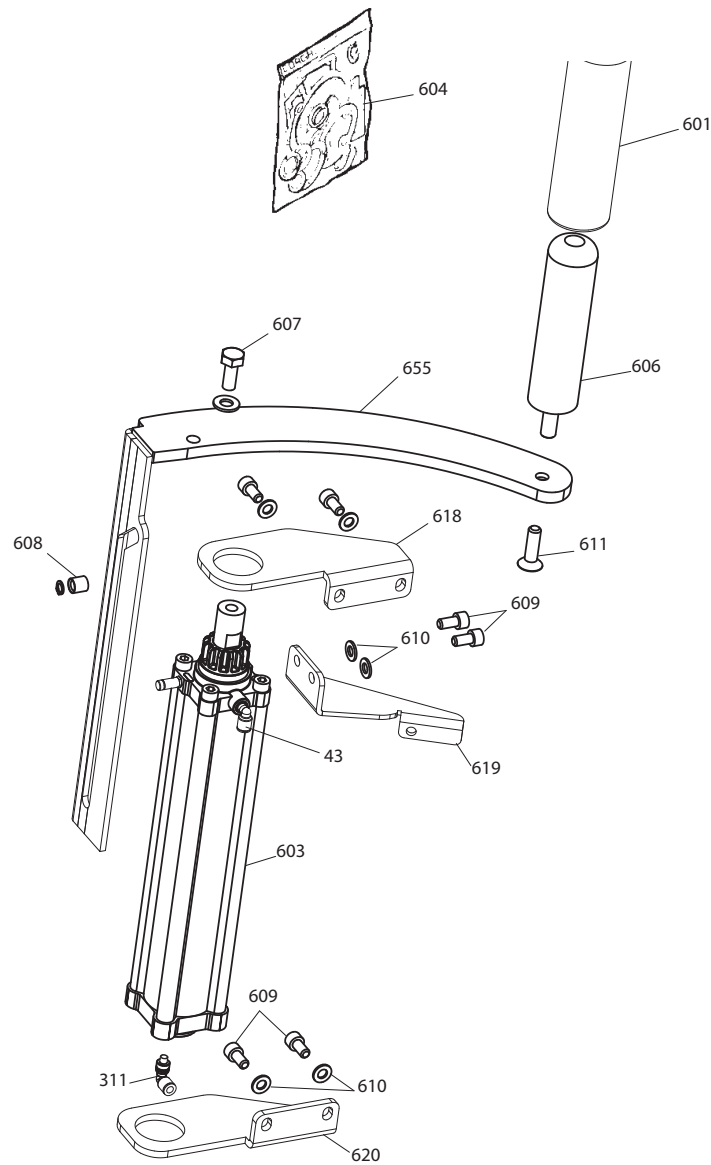


9053	5-100735	PEDALIERA	CONTROL PEDAL	PEDALERIE	GR.PEDALES
9048	5-102712	VALVOLA	VALVE	VENTIL	VANNE
0001	3-01176	RACCORDO	CONNECTOR	ANSCHLUSS	RACCORD
0302	3-00218	RACCORDO	CONNECTOR	ANSCHLUSS	RACCORD
0005	3-00049	RACCORDO	CONNECTOR	ANSCHLUSS	RACCORD
9049	5-102713	VALVOLA	VALVE	VENTIL	VANNE
0302	3-00218	RACCORDO	CONNECTOR	ANSCHLUSS	RACCORD
0312	3-00317	VALVOLA	VALVE	VENTIL	VANNE
0314	3-00138	RACCORDO	CONNECTOR	ANSCHLUSS	RACCORD
0315	3-00182	SILENZIATORE	SILENCER		
9047	5-100625	VALVOLA	VALVE	VENTIL	VANNE
0311	3-00053	RACCORDO	CONNECTOR	ANSCHLUSS	RACCORD
0301	361536	COPERCHIO	LID	DECKEL	COUVERCLE
0303	440874	MICROINTERR.	MICROSWITCH	MIKROSCHALTER	MICROINTERRUPTEUR
0305	428682	MOLLA	SPRING	FEDER	RESSORT
0306	361534	DISTANZIALE	SPACER	ABSTANDSSTUECK	ENTRETOISE
0307	410628	MOLLA	SPRING	FEDER	RESSORT
0309	361537	PROTEZIONE	SHIELD	ABDECKUNG	PROTECTION
0310	4-102179	PERNO	PIN	ZAPFEN	PIVOT
0313	461535	BLOCCHETTO	BLOCK	BLOCK	BLOC
1312	3-00432	VALVOLA	VALVE	VENTIL	VANNE
0316	5-102714	PEDALE	PEDAL	PEDAL	PEDALE

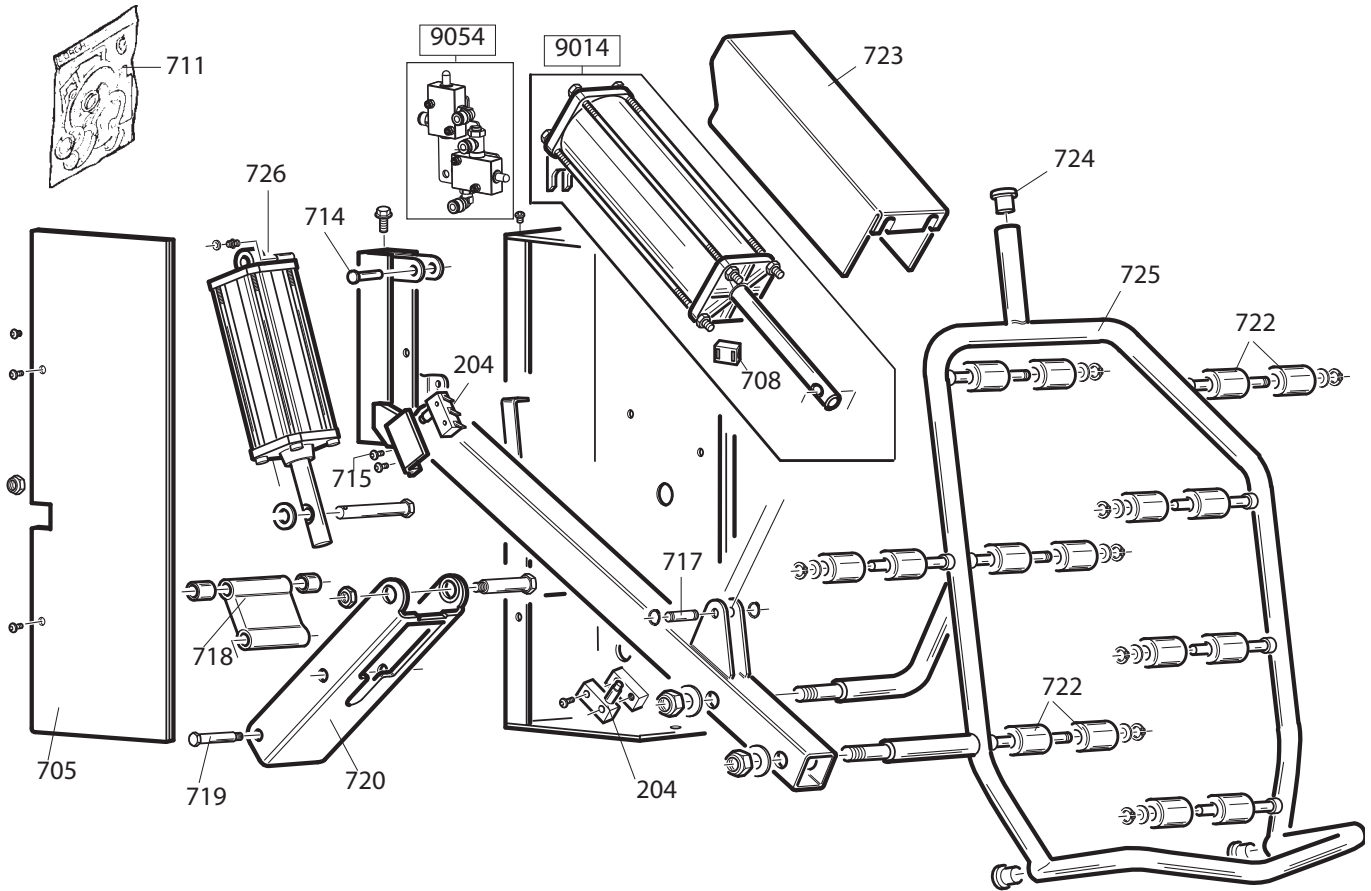


9051	5-102715	MOTORE	MOTOR	MOTOR	MOTEUR
0424	4-102630	PULEGGIA	PULLEY	REIMENSCHIEBE	POULIE
0425	4-102627	MOTORE	MOTOR	MOTOR	MOTEUR

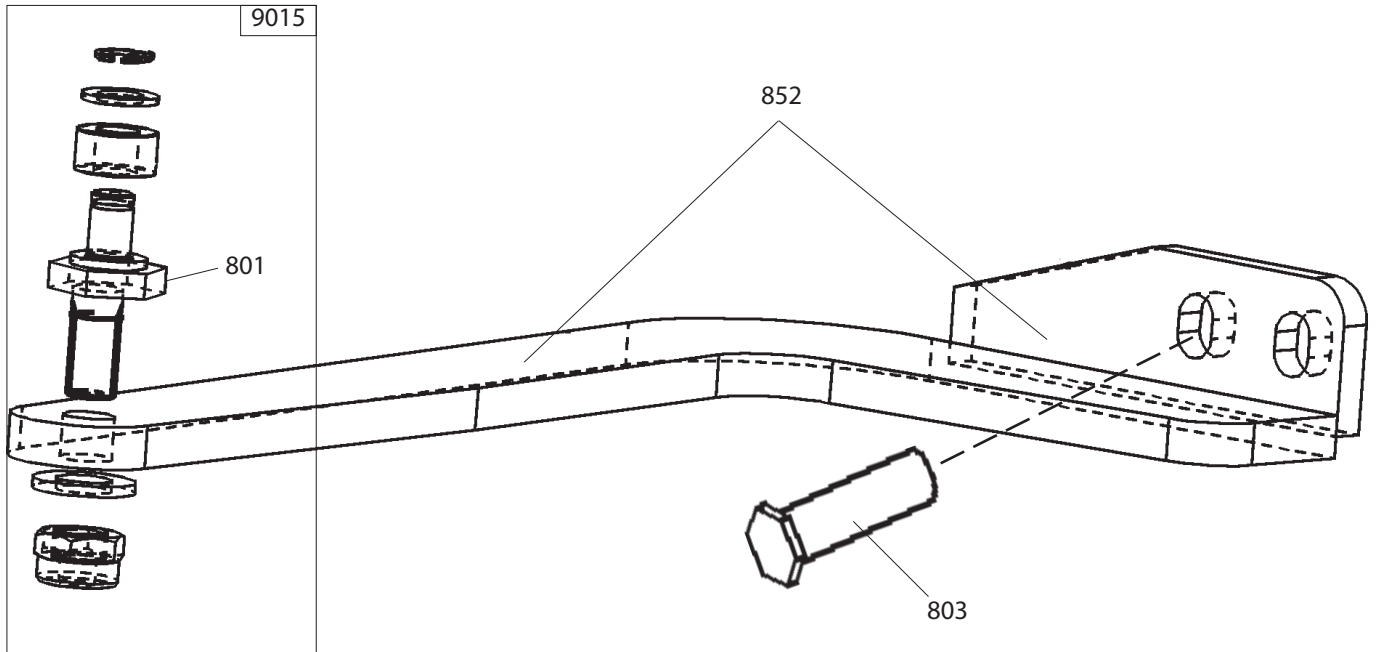
0204	461380	MICROINTERR.	MICROSWITCH	MIKROSCHALTER	MICROINTERRUPTEUR
0401	2-03071	CUSCINETTO	BEARING	LAGER	ROULEMENT
0404	2-03070	CUSCINETTO	BEARING	LAGER	ROULEMENT
0416	361603	CHIOCCIOLA	SCROLL	SCHRAUBE	ECROU
0419	361598	ALBERO TRASL	SHAFT	WELLE	ARBRE
0420	4-102438	PULEGGIA	PULLEY	RIEMENSCHIEBE	POULIE
0421	3-01477	CINGHIA	BELT	RIEMEN	COURROIE
0422	4-100630	PROTEZIONE sup.	SHIELD	ABDECKUNG	PROTECTION
0423	4-100631	PROTEZIONE inf.	SHIELD	ABDECKUNG	PROTECTION



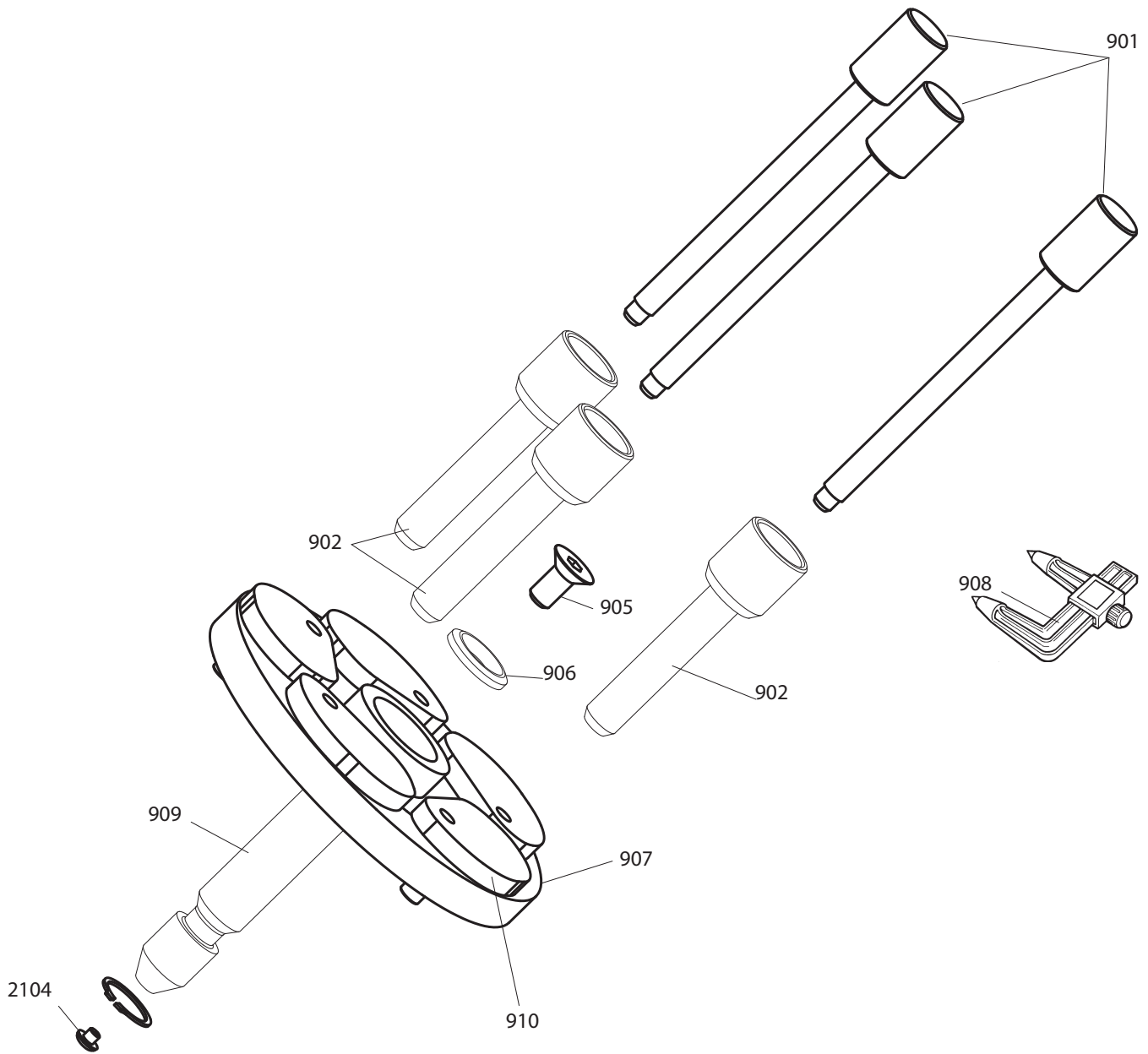
0601	361315	SUPPORTO	SUPPORT	LAGER	SUPPORT
0603	261326	CILINDRO	CYLINDER	ZYLINDER	CYLINDRE
0604	262384	KIT GUARN.(603)	SEALS KIT(603)	DICHTUNGSATZ(603)	KIT JOINTS(603)
0606	262852	PROLUNGA	EXTENSION CORD	VERLAENGERUNG	RALLONGE
0607	2-02184	VITE	SCREW	SCHRAUBE	VIS
0608	361320	RULLO	ROLLER	WALZE	ROULEAU
0609	2-00319	VITE	SCREW	SCHRAUBE	VIS
0610	2-00212	RONDELLA	WASHER	UNTERLEGSHEIBE	RONDELLE
0611	2-02299	VITE	SCREW	SCHRAUBE	VIS
0618	361316	STAFFA	BRACKET	KLAUE	ETRIER
0619	361322	LAMIERA	METAL SHEET	BLECH	TOLE
0620	361317	STAFFA	BRACKET	KLAUE	ETRIER
0655	4-100345	LAMIERA	METAL SHEET	BLECH	TOLE
0043	3-00217	RACCORDO	CONNECTOR	ANSCHLUSS	RACCORD
0311	3-00053	RACCORDO	CONNECTOR	ANSCHLUSS	RACCORD



9054	5-101522	VALVOLA	VALVE	VENTIL	VANNE
9014	5-101184	CILINDRO	CYLINDER	ZYLINDER	CYLINDRE
0708	3-01175	VALVOLA	VALVE	VENTIL	VANNE
0204	461380	MICROINTERR.	MICROSWITCH	MIKROSCHALTER	MICROINTERRUPTEUR
0726	5-101529	CILINDRO	CYLINDER	ZYLINDER	CYLINDRE
0705	361356	LAMIERA	METAL SHEET	BLECH	TOLE
0711	262382	KIT GUARN.(726)	SEALS KIT(726)	DICHTUNGSATZ(726)	KIT JOINTS(726)
0711	241484	KIT GUARN.(9014)	SEALS KIT(9014)	DICHTUNGSATZ(9014)	KIT JOINTS(9014)
0714	361350	PERNO	PIN	ZAPFEN	PIVOT
0715	361345	LAMIERA	METAL SHEET	BLECH	TOLE
0717	361349	PERNO	PIN	ZAPFEN	PIVOT
0718	4-100627	BIELLA	TRACE	PLEVELSTANGE	BIELLE
0719	361348	PERNO	PIN	ZAPFEN	PIVOT
0720	361333	BIELLA	TRACE	PLEVELSTANGE	BIELLE
0722	4-103619	RULLO SOLLEVATORE	ROLLER	WALTZE	ROULEAU
0723	4-103618	LAMIERA	METAL SHEET	BLECH	TOLE
0724	456036	TAPPO	PLUG	STOPFEN	BOUCHON
0725	4-103623	TUBO SOLLEVATORE	HOIST	HEBEBUEHNE	ELEVATEUR

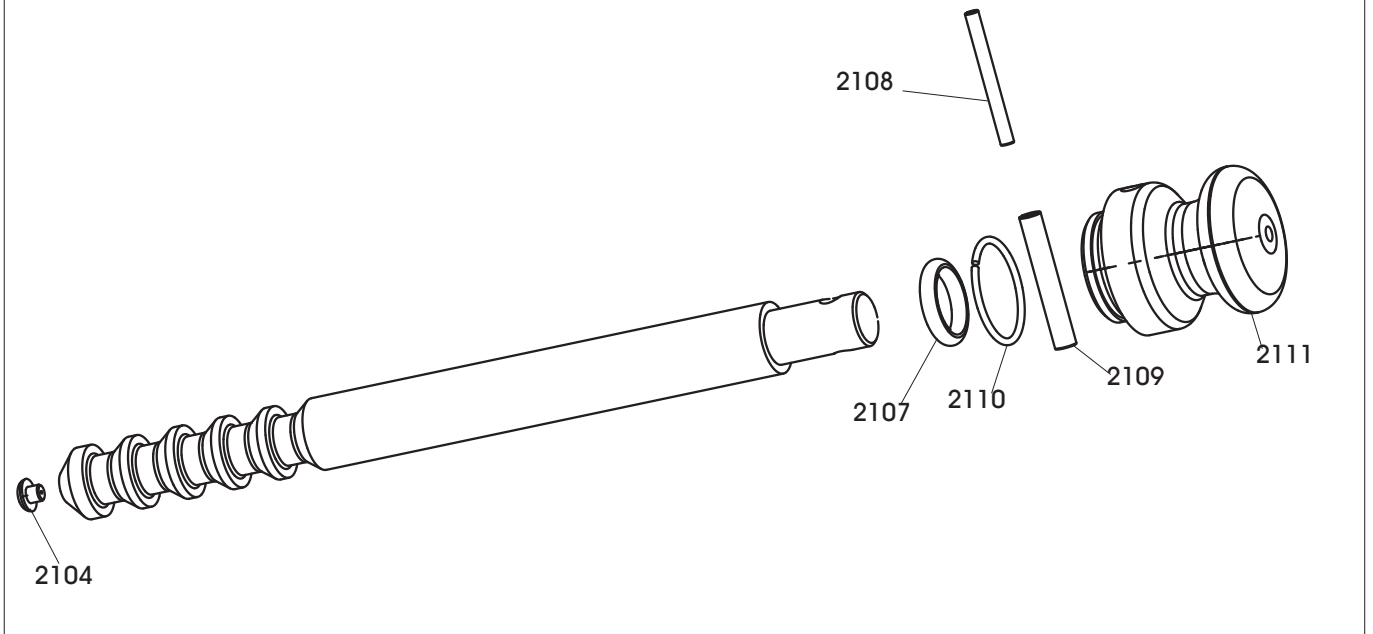


9015	262387	ECCENTRICO	ECCENTRIC	NOCKEN	EXCENTRIQUE
0801	361308	ECCENTRICO	ECCENTRIC	NOCKEN	EXCENTRIQUE
0803	2-03157	VITE	SCREW	SCHRAUBE	VIS
0852	4-100337	BRACCIO	ARM	ARM	BRAS

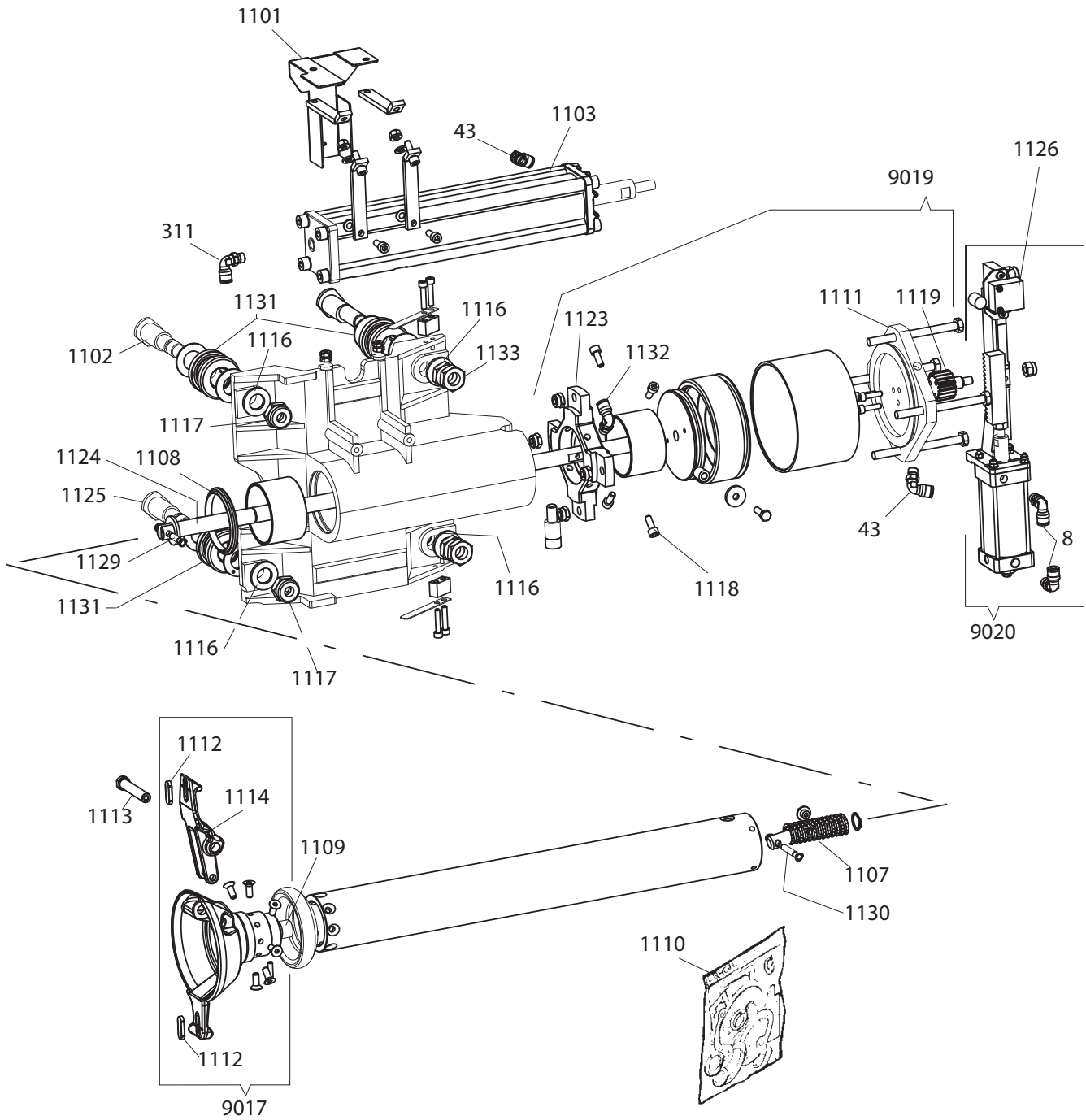


0901	361647	VITE	SCREW	SCHRAUBE	VIS
0902	361648	GHIERA	NUT	NUTMUTTER	BAGUE
0905	2-03074	VITE	SCREW	SCHRAUBE	VIS
0906	361662	RONDELLA	WASHER	UNTERLEGSCHIEBE	RONDELLE
0907	463082	SET FLANGIA 5 PETALI	FLANGE SET	FLANSCH	FLASQUE
0907	5-102422	SET FLANGIA 6 PETALI	FLANGE SET	FLANSCH	FLASQUE
0908	441286	RILEVATORE	SIGNAL TRACER	AUFNEHMER	MESEUREUR
0909	4-102372	BARRA	BAR	STANGE	BARRE
0910	4-107023	BIELLA 6 PETALI	ROD		
0910	4-100014	BIELLA 5 PETALI	ROD		
2104	461560	PROTEZIONE	SHIELD	ABDECKUNG	PROTECTION

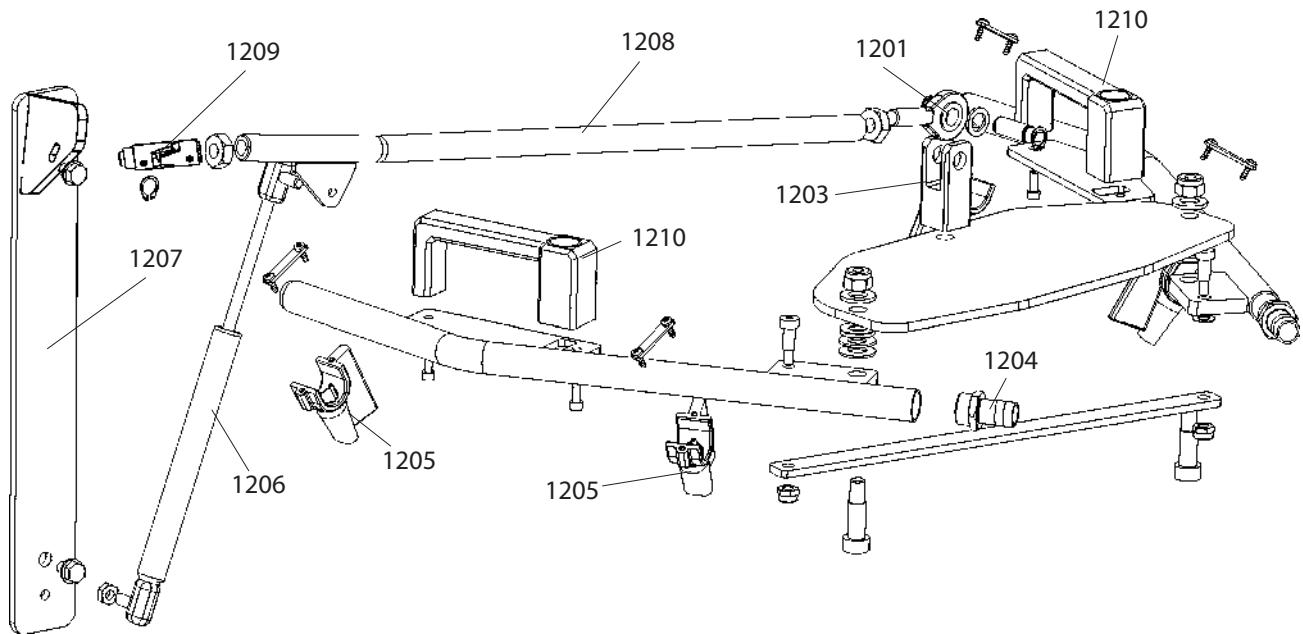
9048



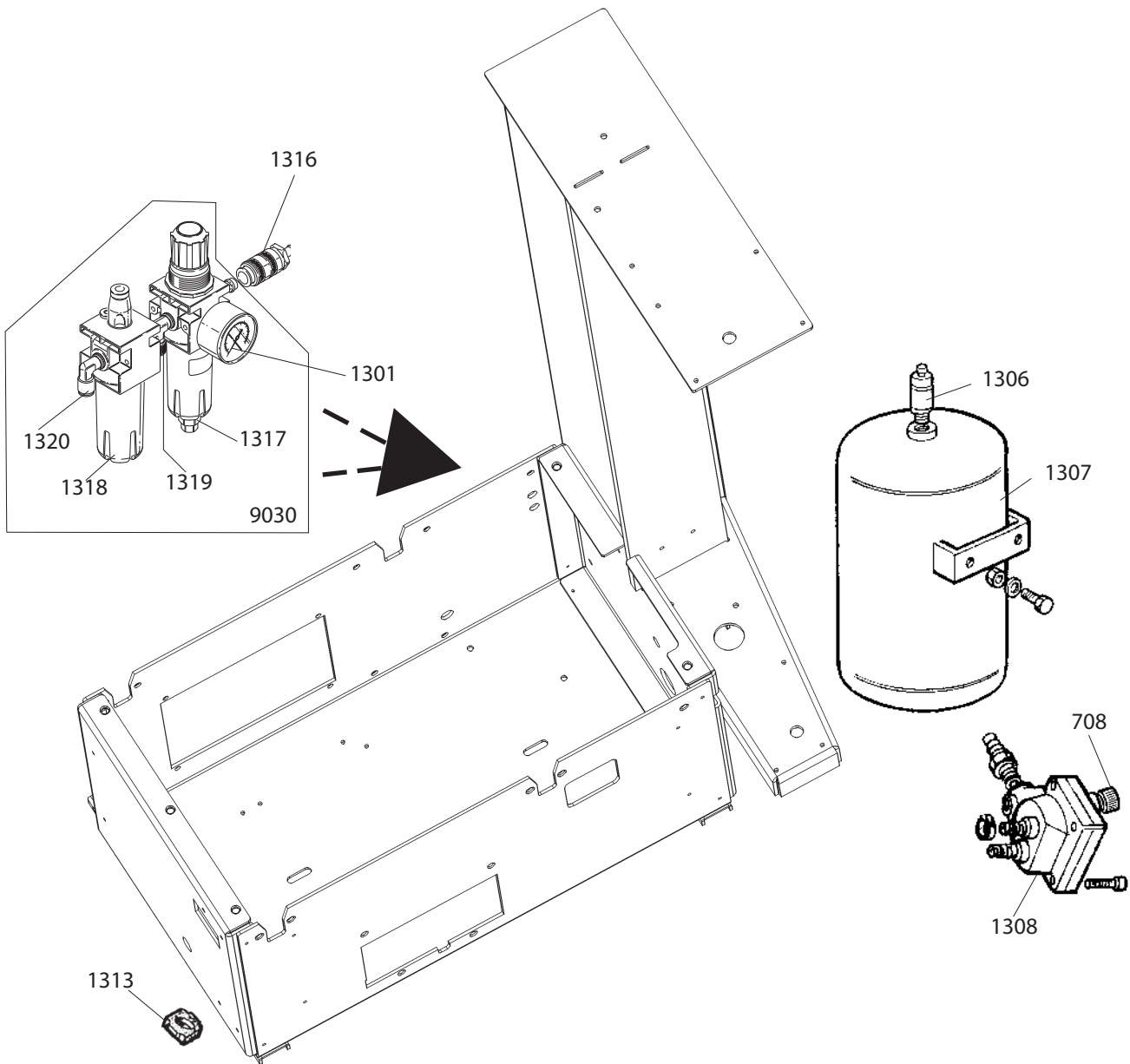
9048	5-100683	MANIGLIA COMP.	HANDLE	HANDGRIFF	POIGNEE
2104	461560	PROTEZIONE	SHIELD	ABDECKUNG	PROTECTION
2107	3-01164	GUARNIZIONE	SEAL	DICHTUNG	JOINT
2108	2-02896	SPINA	PLUG	STECKER	FICHE
2109	2-01932	SPINA	PLUG	STECKER	FICHE
2110	2-03236	ANELLO	RING	RING	ANNEAU
2111	362464	MANOPOLA	KNOB	BALLENGRIFF	BOUTONE



9017	262390	TESTINA	HEAD	KOPF	TETE
1109	3-01158	BOCCOLA	BUSHING	LAGER	DOUILLE
1112	461489	INSERTO	INSERT	EINLAGE	INSERT
1114	361403	UTENSILE	TOOL	WERKZEUG	OUTIL
9020	5-102716	CILINDRO	CYLINDER	ZYLINDER	CYLINDRE
0008	3-00220	RACCORDO	CONNECTOR	ANSCHLUSS	RACCORD
9019	261613	UTENSILE	TOOL	WERKZEUG	OUTIL
0043	3-00217	RACCORDO	CONNECTOR	ANSCHLUSS	RACCORD
1111	361493	FLANGIA	FLANGE	FLANSCH	FLASQUE
1119	361492	INGRANAGGIO	GEAR	ZAHNRADGETRIEBE	ENGRENAGE
1123	361499	SUPPORTO	SUPPORT	LAGER	SUPPORT
0043	3-00217	RACCORDO	CONNECTOR	ANSCHLUSS	RACCORD
1101	361497	LAMIERA	METAL SHEET	BLECH	TOLE
1102	361496	PERNO	PIN	ZAPFEN	PIVOT
1103	261500	CILINDRO	CYLINDER	ZYLINDER	CYLINDRE
1107	461510	MOLLA	SPRING	FEDER	RESSORT
1108	3-01173	RASCHIAOLIO	SCRAPER RING	OELABSTREIFRING	RACLETTE
1110	245486	KIT GUARN.(9020)	SEALS KIT(9020)	DICHTUNGSATZ(9020)	KIT JOINTS(9020)
1110	456222	KIT GUARN.(1103)	SEALS KIT(1103)	DICHTUNGSATZ(1103)	KIT JOINTS(1103)
1110	262525	KIT GUARN.(9019)	SEALS KIT(9019)	DICHTUNGSATZ(9019)	KIT JOINTS(9019)
1113	361488	FULCRO	FULCRUM	DREHPUNKT	ENTABULRE
1116	2-01045	RONDELLA	WASHER	UNTERLEGSCHIEBE	RONDELLE
1117	2-71526	DADO	NUT	MUTTER	ECROU
1118	2-00298	VITE	SCREW	SCHRAUBE	VIS
1124	361475	STELO	STEM	SCHAFT	TIGE
1125	356012	PERNO	PIN	ZAPFEN	PIVOT
1126	3-01408	VALVOLA	VALVE	VENTIL	VANNE
1129	361486	SPINA CORTA	PLUG	STECKER	FICHE
1130	361487	SPINA LUNGA	PLUG	STECKER	FICHE
1131	5-102717	RULLO	ROLLER	WALTZE	ROULEAU
1132	5-102718	RACCORDO	CONNECTOR	ANSCHLUSS	RACCORD
1133	2-00663	DADO	NUT	MUTTER	ECROU
0311	3-00053	RACCORDO	CONNECTOR	ANSCHLUSS	RACCORD

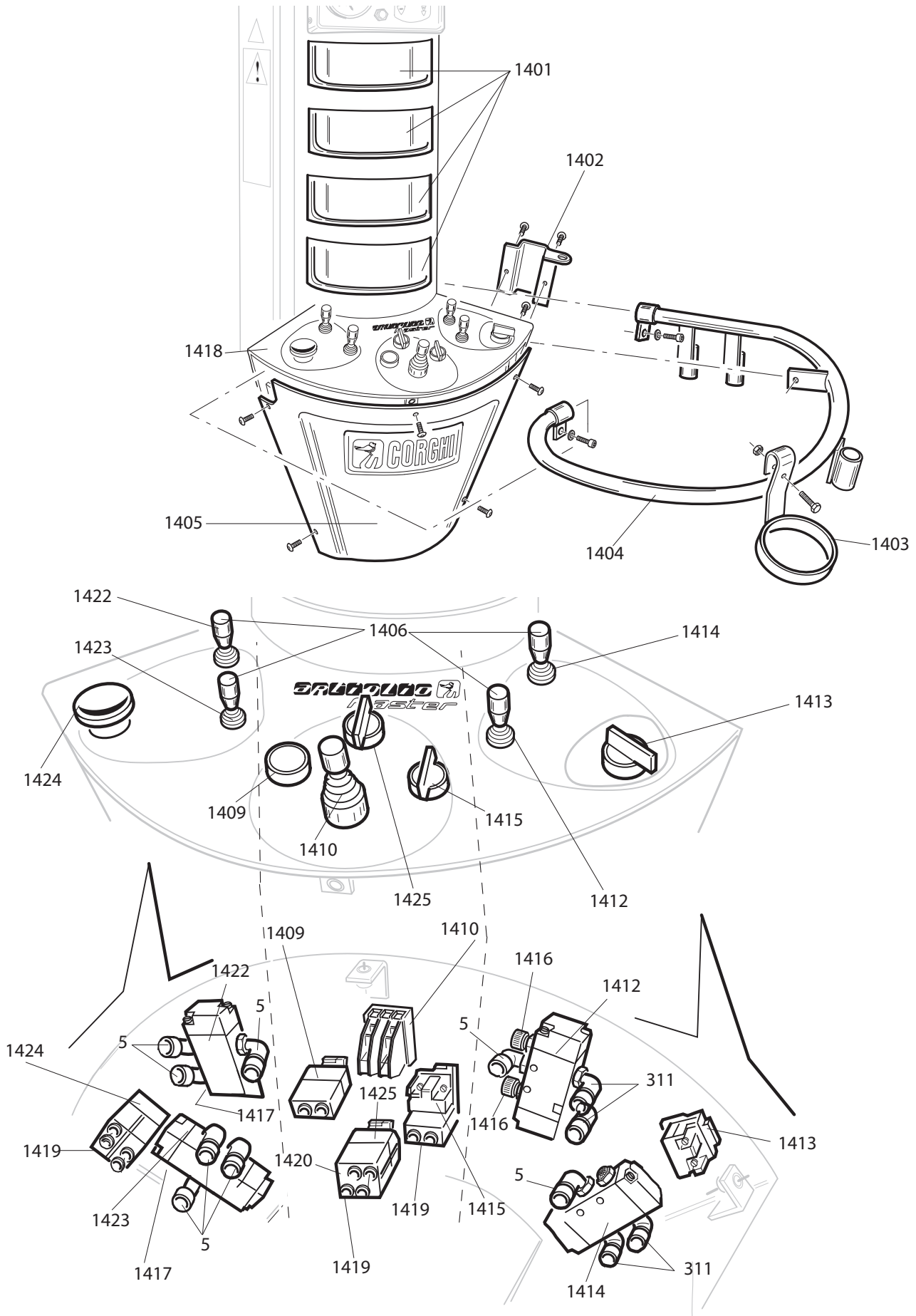



1201	362122	TIRANTE			
1203	362194	FORCELLA	FORK	GABEL	FOURCHE
1204	3-00008	RACCORDO	CONNECTOR	ANSCHLUSS	RACCORD
1205	462124	UGELLO	NOZZLE	DUESE	BUSE-TUYERE
1206	462140	MOLLA	SPRING	FEDER	RESSORT
1207	4-101815	ATTACCO T.I.	ADAPTER	HALTERUNG	GRIFFE
1208	262134	ASTA T.I.	SHAFT	STANGE	BARRE
1209	4-101825	TERMINALE	TERMINAL	ENDVERSCHLUSS	COSSE
1210	5-101632	MANIGLIA	HANDLE	HANDGRIFF	POIGNEE



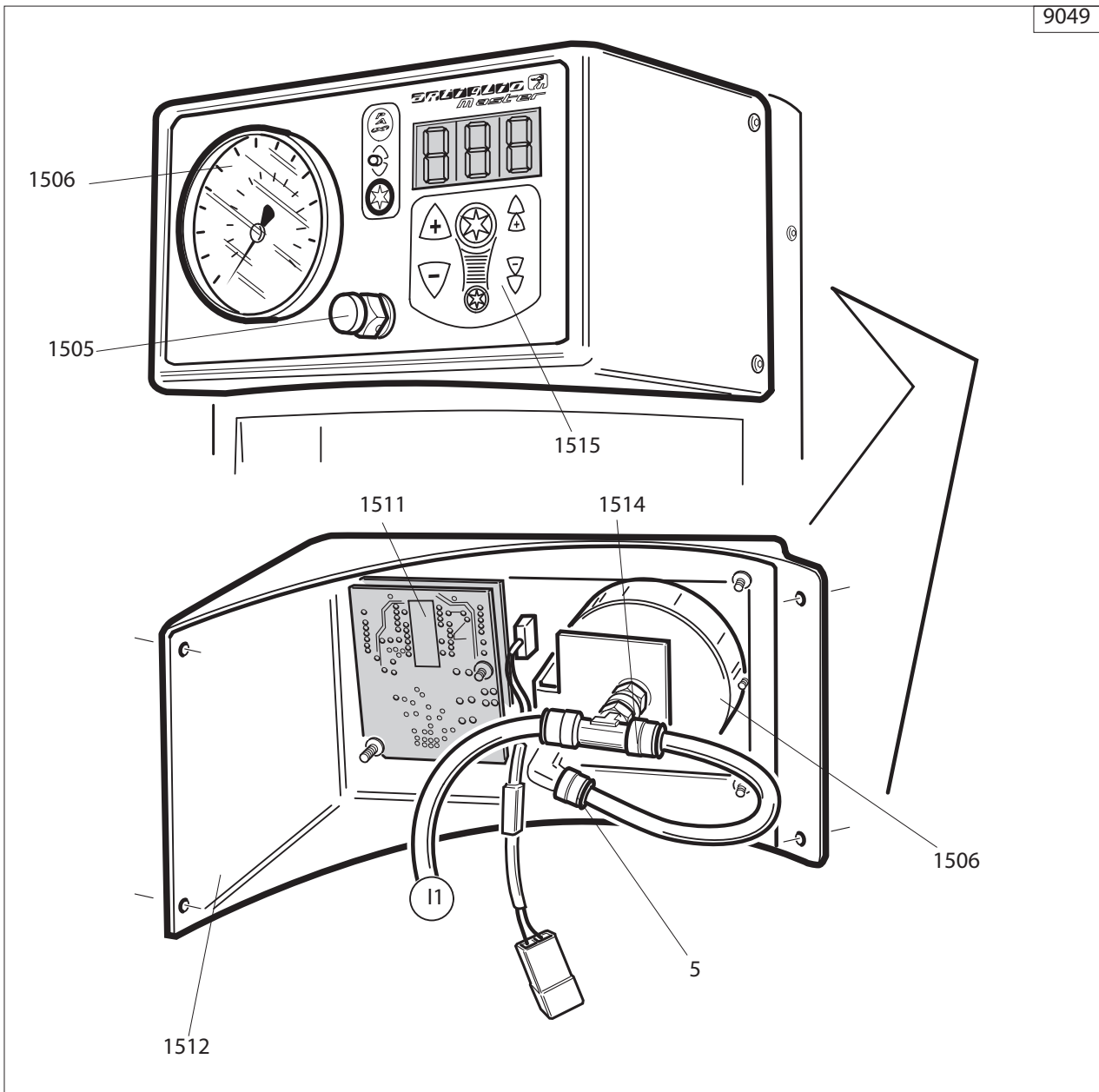
9030	462929	FILTRO	FILTER	FILTER	FILTRE
1317	457512	BICCHIERE	BOWL	GLAS	BOL
1318	457511	BICCHIERE	BOWL	GLAS	BOL
1319	3-00001	RACCORDO	CONNECTOR	ANSCHLUSS	RACCORD
1301	3-00488	MANOMETRO	PRESSURE GAUGE	DRUCKMESSER	MANOMETRE
1320	3-00221	RACCORDO	CONNECTOR	ANSCHLUSS	RACCORD

1306	3-00356	VALVOLA	VALVE	VENTIL	VANNE
CE					
1307	262215	SERBATOIO	TANK	TANK	RESERVOIR
ASME					
1307	5-101625	SERBATOIO	TANK	TANK	RESERVOIR
1308	243203	VALVOLA	VALVE	VENTIL	VANNE
1313	422019	PIEDE	FOOT	FUSS	PIED
1316	3-00257	RACCORDO	CONNECTOR	ANSCHLUSS	RACCORD
0708	3-01175	VALVOLA	VALVE	VENTIL	VANNE

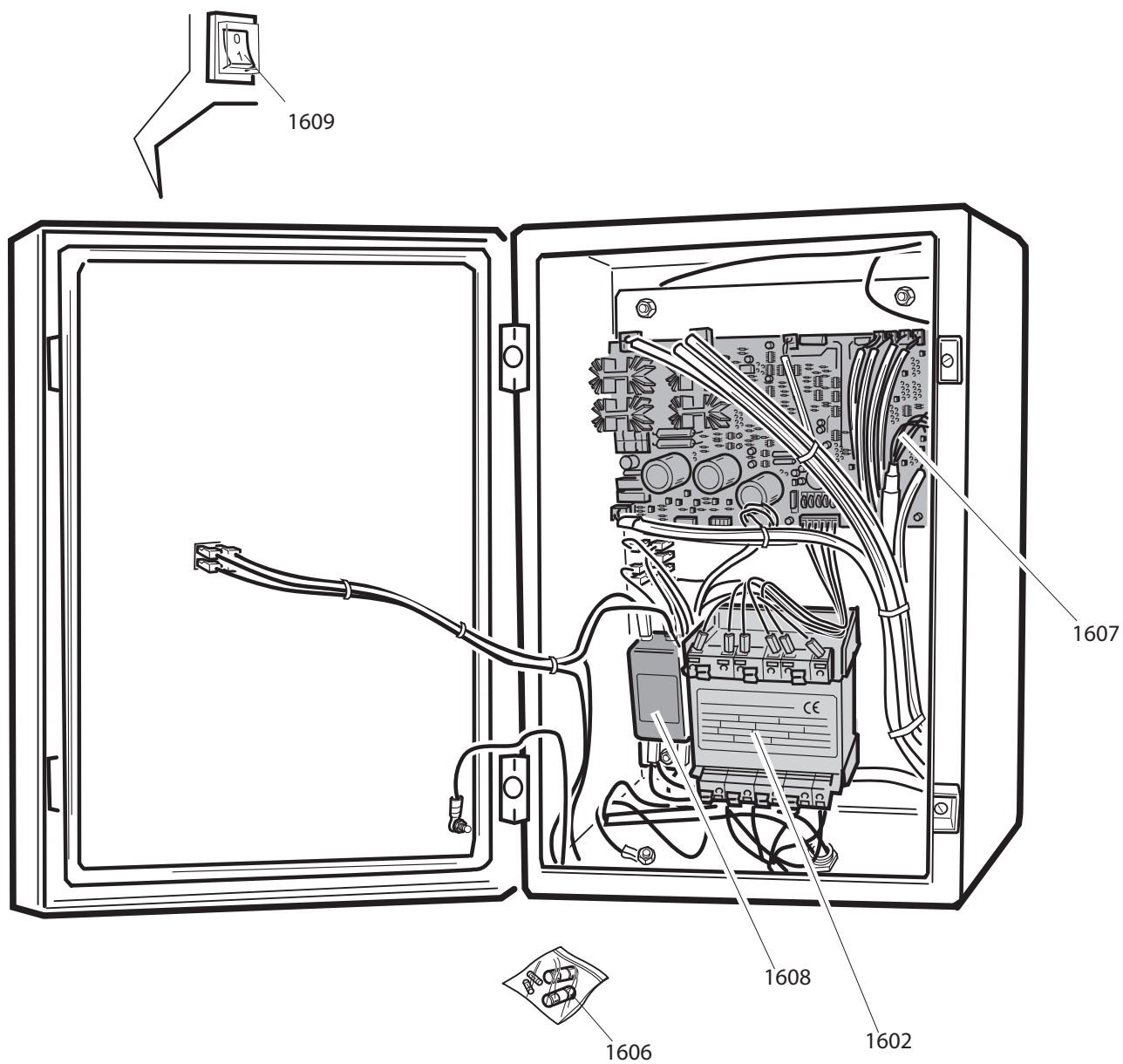


	Artiglio Master 26" MI	Fig. R	09a / 03	Consolle
--	------------------------	--------	----------	----------

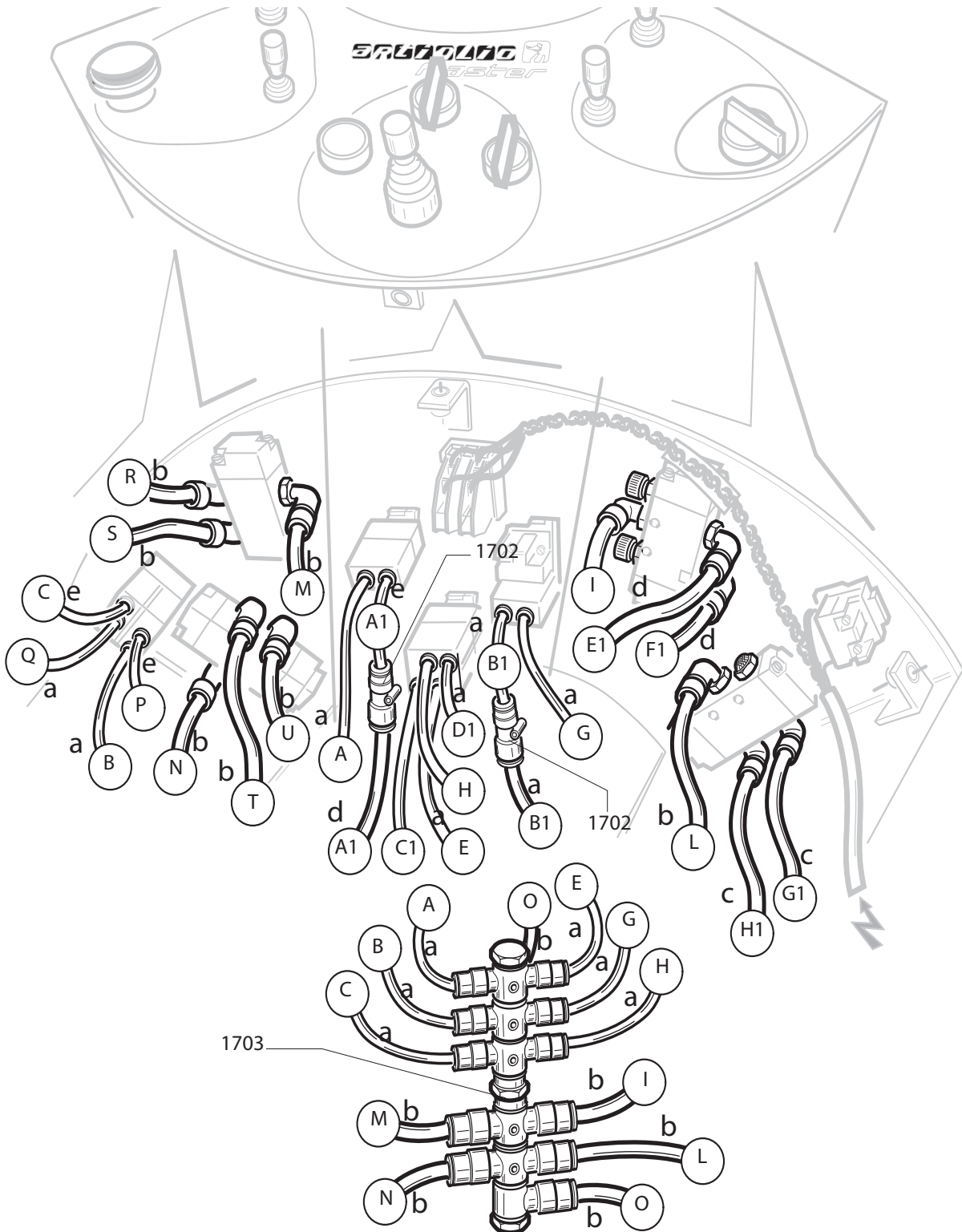
0005	3-00049	RACCORDO	CONNECTOR	ANSCHLUSS	RACCORD
0311	3-00053	RACCORDO	CONNECTOR	ANSCHLUSS	RACCORD
1401	461850	VASCETTA	CUP	KLEINE WANNE	PETIT BAC
1402	361271	SUPPORTO	SUPPORT	LAGER	SUPPORT
1403	261651	ATTACCO 1KG	ADAPTOR 1KG	HALTERUNG 1KG	ATTAQUE 1KG
1403	261060	ATTACCO 5KG	ADAPTOR 5KG	HALTERUNG 5KG	ATTAQUE 5KG
1404	4-102637	TUBO	PIPE	ROHR	TUYAU
1405	461849	COFANO	HOOD	HAUBE	COFFRE
1406	440585	MANOPOLA	KNOB	BALLENGRIFF	BOUTON
1409	261836	INVERT.UTENSILE	REVERSER	RICHTUNGSWENDER	INVERSEUR
1410	261838	INVERT.TESTINA	REVERSER	RICHTUNGSWENDER	INVERSEUR
1412	261834	INVERT.SPINGITORE	REVERSER	RICHTUNGSWENDER	INVERSEUR
1413	261839	INVERT.PAX	REVERSER	RICHTUNGSWENDER	INVERSEUR
1414	261833	INVERT.SOLLEVAT.	REVERSER	RICHTUNGSWENDER	INVERSEUR
1415	261835	INVERT.ARRETRAM.	REVERSER	RICHTUNGSWENDER	INVERSEUR
1416	433675	REGOLATORE	REGULATOR	REGLER	REGULATEUR
1417	3-00181	SILENZIATORE	SILENCER	SCHALLDAEMPFER	SILENCIEUX
1418	461848	PANNELLO	PANEL	VERKLEIDUNG	PANNEAU
1419	461841	VALVOLA 304	VALVE	VENTIL	VANNE
1420	461844	VALVOLA 314	VALVE	VENTIL	VANNE
1422	5-100089	COMAN. STAL.INF.	REVERSER	RICHTUNGSWENDER	INVERSEUR
1423	5-100085	COMAN. STAL.SUP.	REVERSER	RICHTUNGSWENDER	INVERSEUR
1424	5-100087	INVERT.PENETRAZ.	REVERSER	RICHTUNGSWENDER	INVERSEUR
1425	5-102719	INVERT.ROTAZIONE	REVERSER	RICHTUNGSWENDER	INVERSEUR
0311	3-00053	RACCORDO	CONNECTOR	ANSCHLUSS	RACCORD




9049	5-100642	PANNELLO COMP.	PANEL	VERKLEIDUNG	PANNEAU
0005	3-00055	RACCORDO	CONNECTOR	ANSCHLUSS	RACCORD
1505	235463	VALVOLA	VALVE	VENTIL	VANNE
1506	3-00490	MANOMETRO BAR/PSI	PRESSURE GAUGE	DRUCKMESSER	MANOMETRE
1506	3-00493	MANOMETRO KPA	PRESSURE GAUGE	DRUCKMESSER	MANOMETRE
1511	4-101923	SCHEDA DISPLAY	P.C.BOARD	ELEKTR.PLATINE	FICHE ELECTR.
1512	4-101139	CARTER	CASING	GEHAUSE	CARTER
1514	3-00287	RACCORDO	CONNECTOR	ANSCHLUSS	RACCORD
1515	4-100148	PANNELLO	PANEL	VERKLEIDUNG	PANNEAU



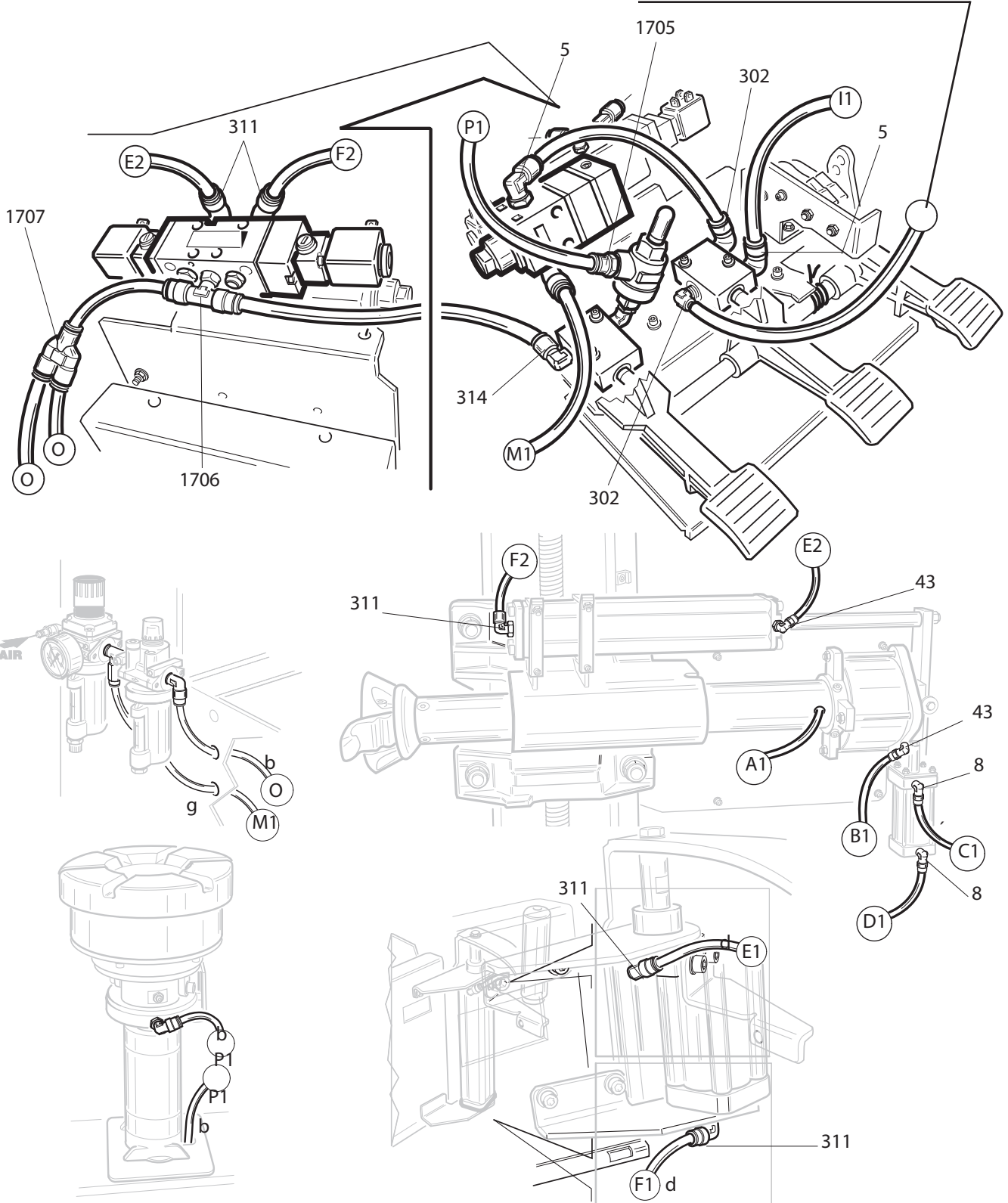
1602	461829	TRASFORMATORE	TRANSFORMER	TRANSFORMATOR	TRANSFORMATEUR
1606	5-100196	SET FUSIBILI	FUSE BAG	SICHERUNG	SET FUSIBLE
1607	4-101919	SCHEDA ELETTRON.	P.C.BOARD	ELEKTR.PLATINE	FICHE ELECTR.
1608	4-104377	FILTRO	FILTER	FILTER	FILTRE
1609	433848	INTERRUTTORE	SWITCH	SCHALTER	INTERRUPTEUR



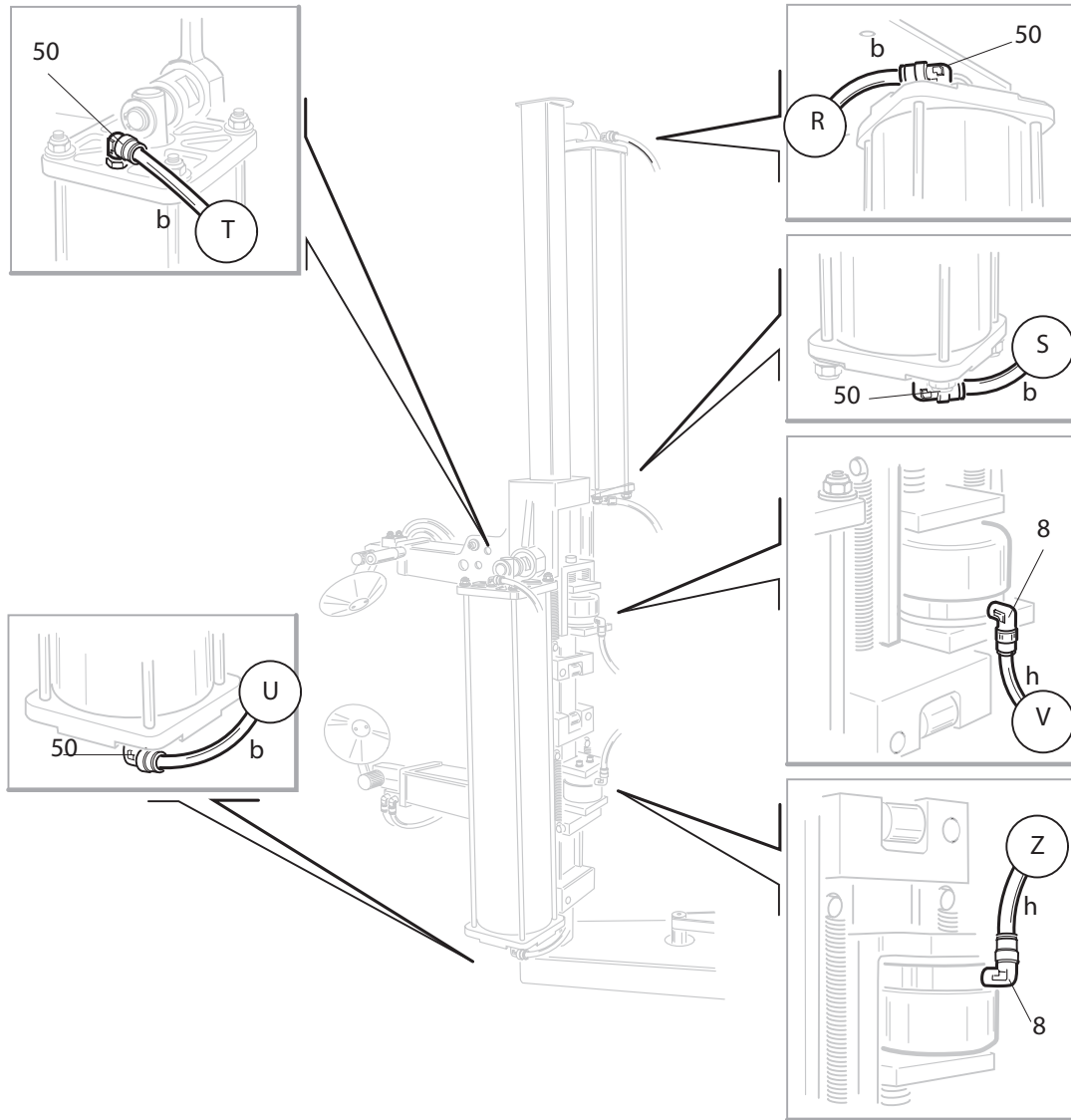
	Artiglio Master 26" MI	Fig. U	04 / 04	Giro Tubi
--	------------------------	--------	---------	-----------


a	1-04567	Tubo PA11 azzurro D.4x1	Pipe PA11 blue D.4x1	(max 2000mm)
b	1-04333	Tubo PA12 nero D.8x1	Pipe PA12 black D.8x1	(max 2800mm)
c	1-04036	Tubo PA11 giallo D.6x1	Tubo PA11 yellow D.6x1	(max 2100mm)
d	1-04283	Tubo PA12 nero D.6x1	Pipe PA12 black D.6x1	(max 2300mm)
e	1-04035	Tubo PA11 nero D.4x1	Pipe PA11 black D.4x1	(max 2700mm)
f	1-04002	Tubo PA11 trasparente D.6x1	Pipe PA11white D.6x1	(max 3300mm)
g	1-04001	Tubo PA11 rosso D.6x1	Pipe PA11 red D.6x1	(max 1500mm)
h	1-04551	Tubo PA11 verde D.4x1	Pipe PA11 green D.4x1	(max 800mm)
i	1-04003	Tubo PA11 blu D.6x1	Pipe PA11 blue D.6x1	(max 600mm)
1702	3-01174	RACCORDO	CONNECTOR	ANSCHLUSS
1703	5-100088	DISTRIBUTORE	DISTRIBUTOR	VERTEILER
				RACCORD
				DISTRIBUTEUR

DOYFE
GONFIAGGIO RUOTA/INFLATION WHEEL

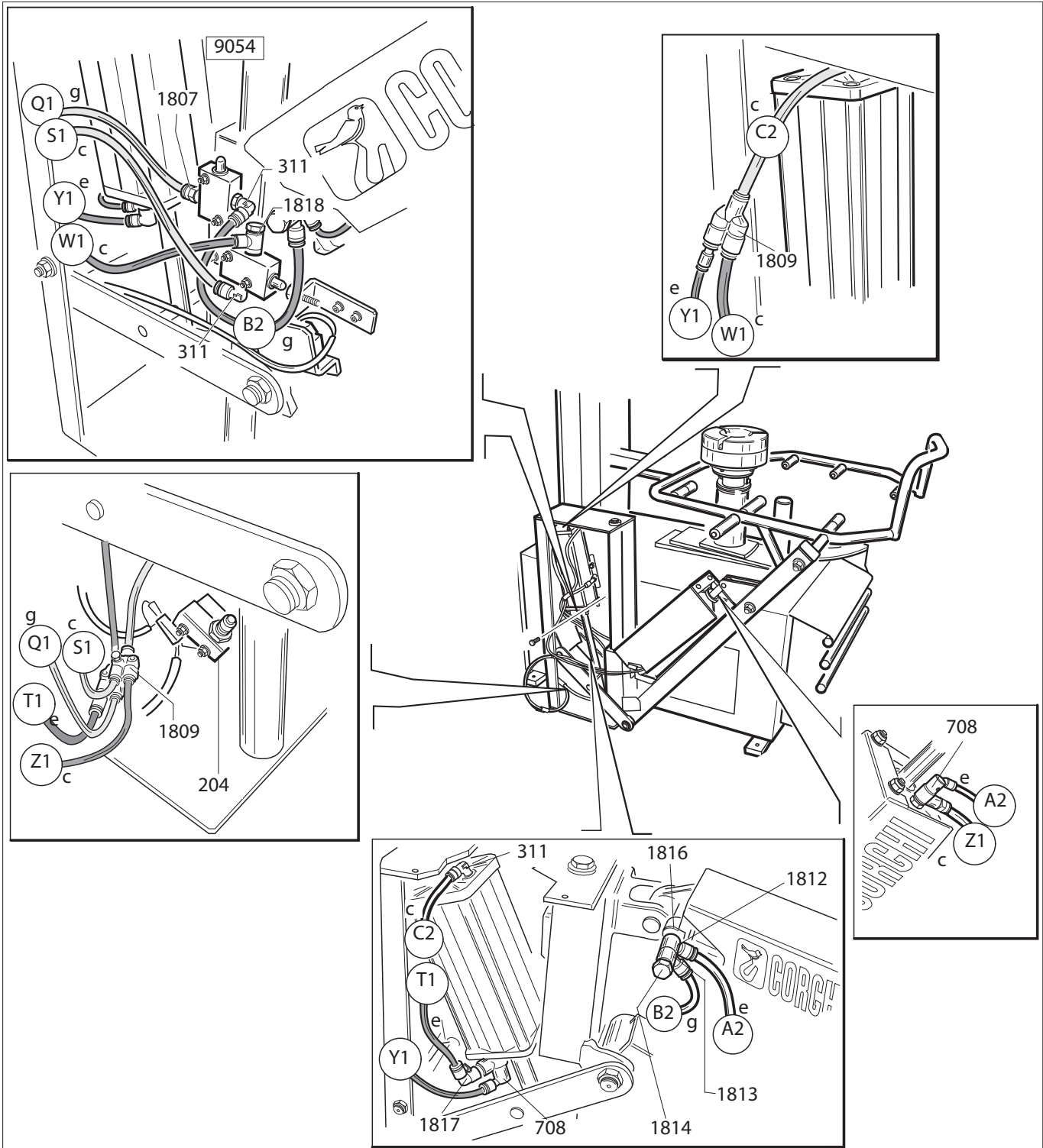


a	1-04567	Tubo PA11 azzurro D.4x1		Pipe PA11 blue D.4x1	(max 2000mm)
b	1-04333	Tubo PA12 nero D.8x1		Pipe PA12 black D.8x1	(max 2800mm)
c	1-04036	Tubo PA11 giallo D.6x1		Tubo PA11 yellow D.6x1	(max 2100mm)
d	1-04283	Tubo PA12 nero D.6x1		Pipe PA12 black D.6x1	(max 2300mm)
e	1-04035	Tubo PA11 nero D.4x1		Pipe PA11 black D.4x1	(max 2700mm)
f	1-04002	Tubo PA11 trasparente D.6x1		Pipe PA11 white D.6x1	(max 3300mm)
g	1-04001	Tubo PA11 rosso D.6x1		Pipe PA11 red D.6x1	(max 1500mm)
h	1-04551	Tubo PA11 verde D.4x1		Pipe PA11 green D.4x1	(max 800mm)
i	1-04003	Tubo PA11 blu D.6x1		Pipe PA11 blue D.6x1	(max 600mm)
0005	3-00055	RACCORDO	CONNECTOR	ANSCHLUSS	RACCORD
0008	3-00220	RACCORDO	CONNECTOR	ANSCHLUSS	RACCORD
0302	3-00218	RACCORDO	CONNECTOR	ANSCHLUSS	RACCORD
0311	3-00053	RACCORDO	CONNECTOR	ANSCHLUSS	RACCORD
0314	3-00138	RACCORDO	CONNECTOR	ANSCHLUSS	RACCORD
0043	3-00217	RACCORDO	CONNECTOR	ANSCHLUSS	RACCORD
1704	3-00021	RACCORDO	CONNECTOR	ANSCHLUSS	RACCORD
1705	3-00459	RACCORDO	CONNECTOR	ANSCHLUSS	RACCORD
1706	3-00288	RACCORDO	CONNECTOR	ANSCHLUSS	RACCORD
1707	3-00048	RACCORDO	CONNECTOR	ANSCHLUSS	RACCORD



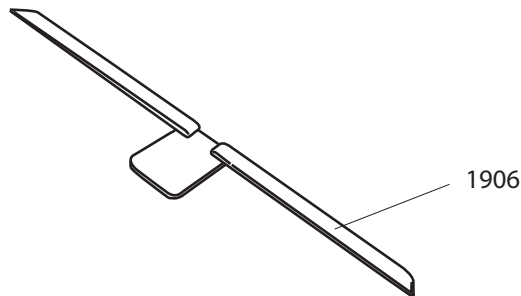
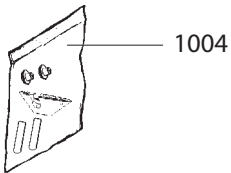
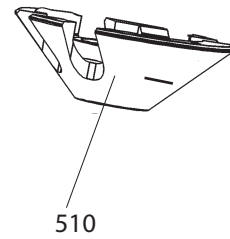
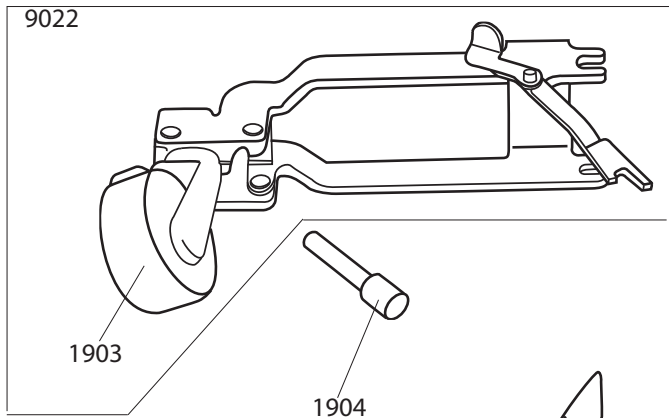
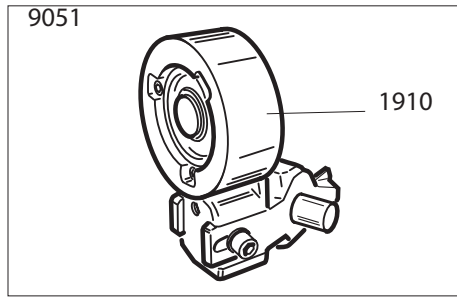
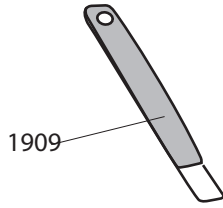
	Artiglio Master 26" MI	Fig. V	09a / 04	Giro Tubi
--	------------------------	--------	----------	-----------

a	1-04567	Tubo PA11 azzurro D.4x1	Pipe PA11 blue D.4x1	(max 2000mm)
b	1-04333	Tubo PA12 nero D.8x1	Pipe PA12 black D.8x1	(max 2800mm)
c	1-04036	Tubo PA11 giallo D.6x1	Tubo PA11 yellow D.6x1	(max 2100mm)
d	1-04283	Tubo PA12 nero D.6x1	Pipe PA12 black D.6x1	(max 2300mm)
e	1-04035	Tubo PA11 nero D.4x1	Pipe PA11 black D.4x1	(max 2700mm)
f	1-04002	Tubo PA11 trasparente D.6x1	Pipe PA11white D.6x1	(max 3300mm)
g	1-04001	Tubo PA11 rosso D.6x1	Pipe PA11 red D.6x1	(max 1500mm)
h	1-04551	Tubo PA11 verde D.4x1	Pipe PA11 green D.4x1	(max 800mm)
i	1-04003	Tubo PA11 blu D.6x1	Pipe PA11 blue D.6x1	(max 600mm)
0050	3-00059	RACCORDO	CONNECTOR	ANSCHLUSS
0008	3-00220	RACCORDO	CONNECTOR	ANSCHLUSS

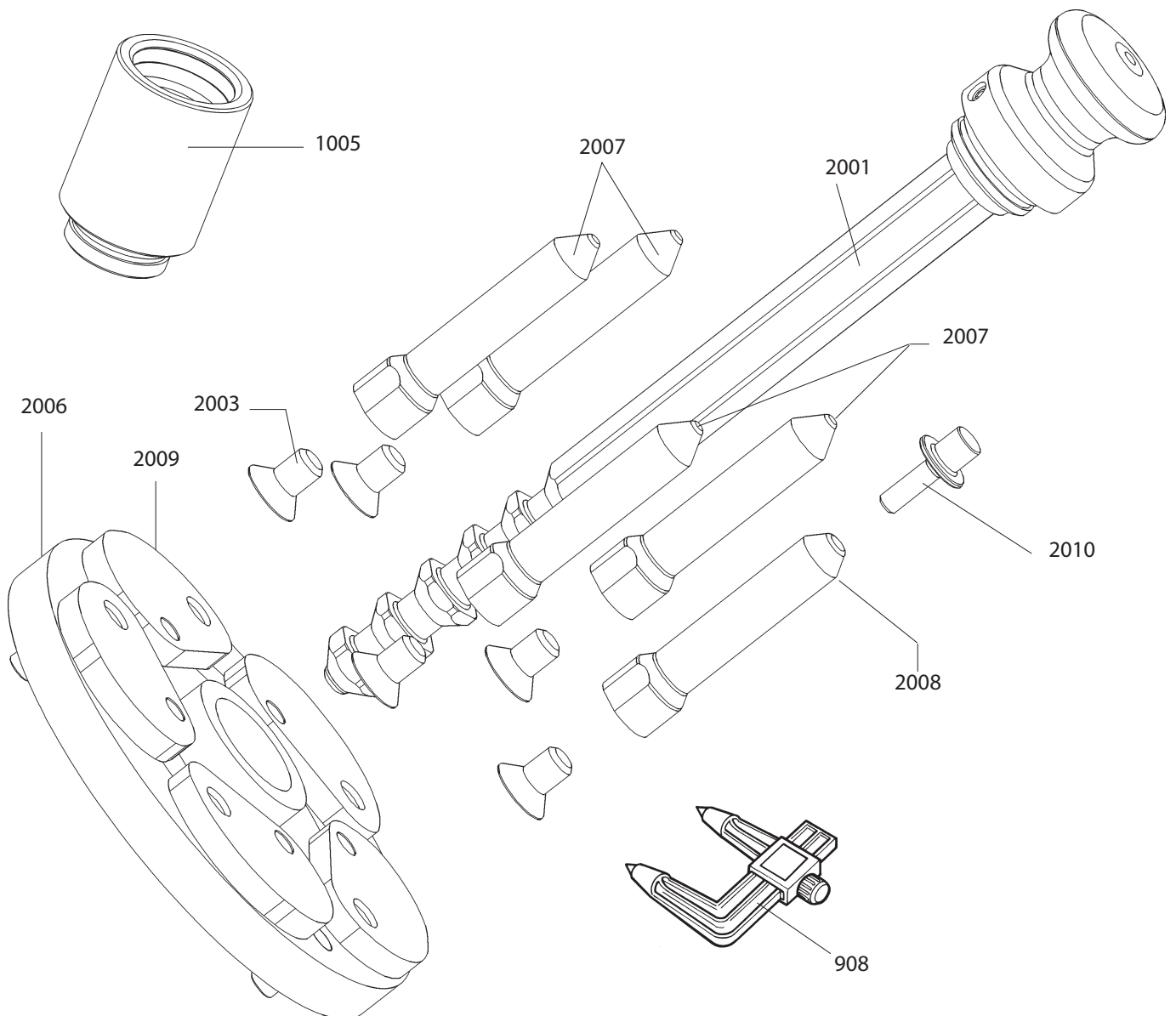


a	1-04567	Tubo PA11 azzurro D.4x1	Pipe PA11 blue D.4x1	(max 2000mm)
b	1-04333	Tubo PA12 nero D.8x1	Pipe PA12 black D.8x1	(max 2800mm)
c	1-04036	Tubo PA11 giallo D.6x1	Tubo PA11 yellow D.6x1	(max 2100mm)
d	1-04283	Tubo PA12 nero D.6x1	Pipe PA12 black D.6x1	(max 2300mm)
e	1-04035	Tubo PA11 nero D.4x1	Pipe PA11 black D.4x1	(max 2700mm)
f	1-04002	Tubo PA11 trasparente D.6x1	Pipe PA11white D.6x1	(max 3300mm)
g	1-04001	Tubo PA11 rosso D.6x1	Pipe PA11 red D.6x1	(max 1500mm)
h	1-04551	Tubo PA11 verde D.4x1	Pipe PA11 green D.4x1	(max 800mm)
i	1-04003	Tubo PA11 blu D.6x1	Pipe PA11 blue D.6x1	(max 600mm)

9054	5-101522	VALVOLA	VALVE	VENTIL	VANNE
1818	4-104740	STROZZATORE	THROTTLER	DROSSELKLAPPE	ETRANGLEUR
1807	3-00461	RACCORDO	CONNECTOR	ANSCHLUSS	RACCORD
0311	3-00053	RACCORDO	CONNECTOR	ANSCHLUSS	RACCORD
0708	3-01175	VALVOLA	VALVE	VENTIL	VANNE
0204	461380	MICROINTERRUTTORE	MICROSWITCH	MIKROSCHALTER	MICROINTERRUPTEUR
0311	3-00053	RACCORDO	CONNECTOR	ANSCHLUSS	RACCORD
1812	3-00514	RACCORDO	CONNECTOR	ANSCHLUSS	RACCORD
1813	3-00515	RACCORDO	CONNECTOR	ANSCHLUSS	RACCORD
1814	3-00075	RACCORDO	CONNECTOR	ANSCHLUSS	RACCORD
1816	3-00451	RONDELLA	WASHER	UNTERLEGSCHIEBE	RONDELLE
1817	3-00054	RACCORDO	CONNECTOR	ANSCHLUSS	RACCORD
1809	3-01866	RACCORDO	CONNECTOR	ANSCHLUSS	RACCORD

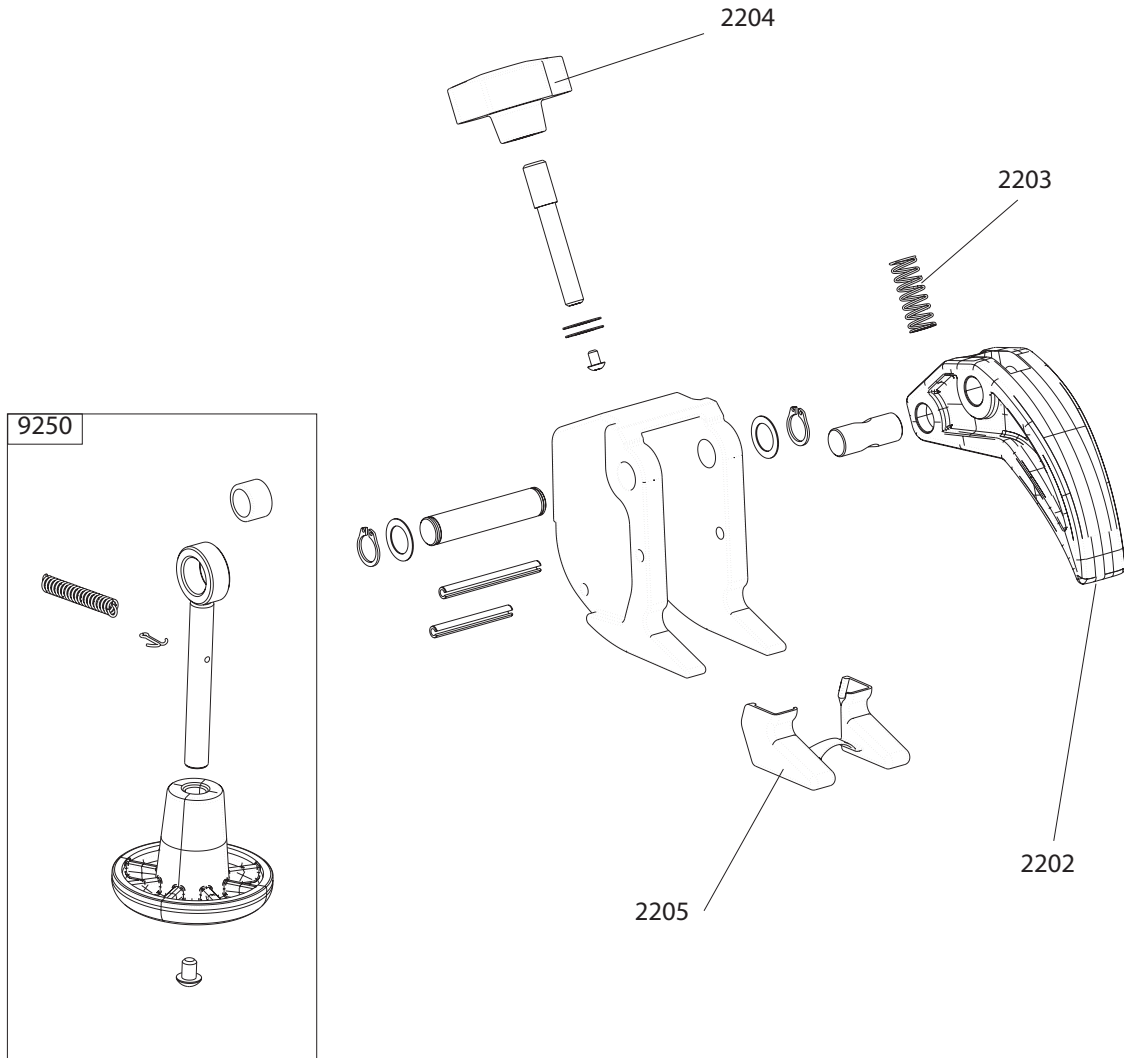


9051	5-101216	RULLO	ROLLER	WALZE	ROULEAU
1910	4-103525	RULLO	ROLLER	WALZE	ROULEAU
9022	261991	SUPPORTO	SUPPORT	LAGER	SUPPORT
1903	8-11100090	RULLO	ROLLER	WALZE	ROULEAU
1904	362007	PERNO	PIN	ZAPFEN	PIVOT
1905	461826	CINGHIA	BELT	RIEMEN	COURROIE
1906	801260235	KIT REGLETTE	REGLETTE KIT	REGLETTE	REGLETTE
1004	262389	KIT PROT.PLASTICA	PLASTIC PROT.KIT	VERWANDLUNGSATZ	KIT PROTEC.PLASTIQUE
0510	461668	PROTEZIONE	SHIELD	ABDECKLUNG	PROTECTION
1909	4-102462	LEVA PAX	PAX LEVER	HEBEL	LEVIER



0908	441286	RILEVATORE	SIGNAL TRACER	AUFNEHMER	MESEUREUR
1005	263436	PROLUNGA	EXTENSION CORD	VERLAENGERUNG	RALLONGE
2001	262468	MANIGLIA	HANDLE	HANDGRIFF	POIGNEE
2003	2-71769	VITE	SCREW	SCHRAUBE	VIS
2006	5-100009	SET FLANGIA 5 PETALI	FLANGE SET	FLANSCH	FLASQUE
2006	5-102421	SET FLANGIA 6 PETALI	FLANGE SET	FLANSCH	FLASQUE
2007	5-102720	COLONNETTA 6PETALI		STUD	
2007	463843	COLONNETTA 5PETALI		STUD	
2008	5-102721	COL.CON SERRAGG.6PETALI		STUD	
2008	463842	COL.CON SERRAGG.5PETALI		STUD	
2009	4-107024	BIELLA 6 PETALI		STUD	
2009	4-101229	BIELLA 5 PETALI		STUD	
2010	4-102377	GHIERA	NUT	NUTMUTTER	BAGUE

9251



9251	8-11100120	MORSETTO	TERMINAL	KLEMME	BORNE
2202	4-104051	DITO	U-BOLT	BUEGELBOLZEN	CRAMPILLON
2203	3-01760	MOLLA	SPRING	FEDER	RESSORT
2204	3-01715	VOLANTINO	HANDWHEEL	HANDRAD	PETIT VOLANT
2205	8-11100126	KIT PROTEZIONE	SHIELD	ABDECKUNG	PROTECTION
9250	5-101642	KIT TRASFORM.	TRASFORM.KIT	VERWANDLUNGS.	KIT TRASFORM.

A series of horizontal dotted lines spanning the width of the page, providing a guide for handwriting practice.

A series of horizontal dotted lines spanning the width of the page, providing a guide for handwriting practice.

A series of horizontal dotted lines spanning the width of the page, providing a template for writing.

A series of horizontal dotted lines spanning the width of the page, providing a guide for handwriting practice.

A series of horizontal dotted lines spanning the width of the page, providing a template for writing or drawing.

Il disegno è realizzato con tutti i particolari ma solo quelli codificati sono forniti come ricambi. L'Azienda si riserva la facoltà di apportare modifiche senza preavviso.



Via per Carpi, n°9 - 42015 Correggio (RE) ITALY
Tel. ++39 0522 639111 - Fax ++39 0522 639150
www.corgi.com - info@corgi.com

The drawing shows all parts but only the coded parts are supplied as spares. The Company reserves the right to make modifications without prior notice.

COMIM - Cod. 4-104538C - 0108.