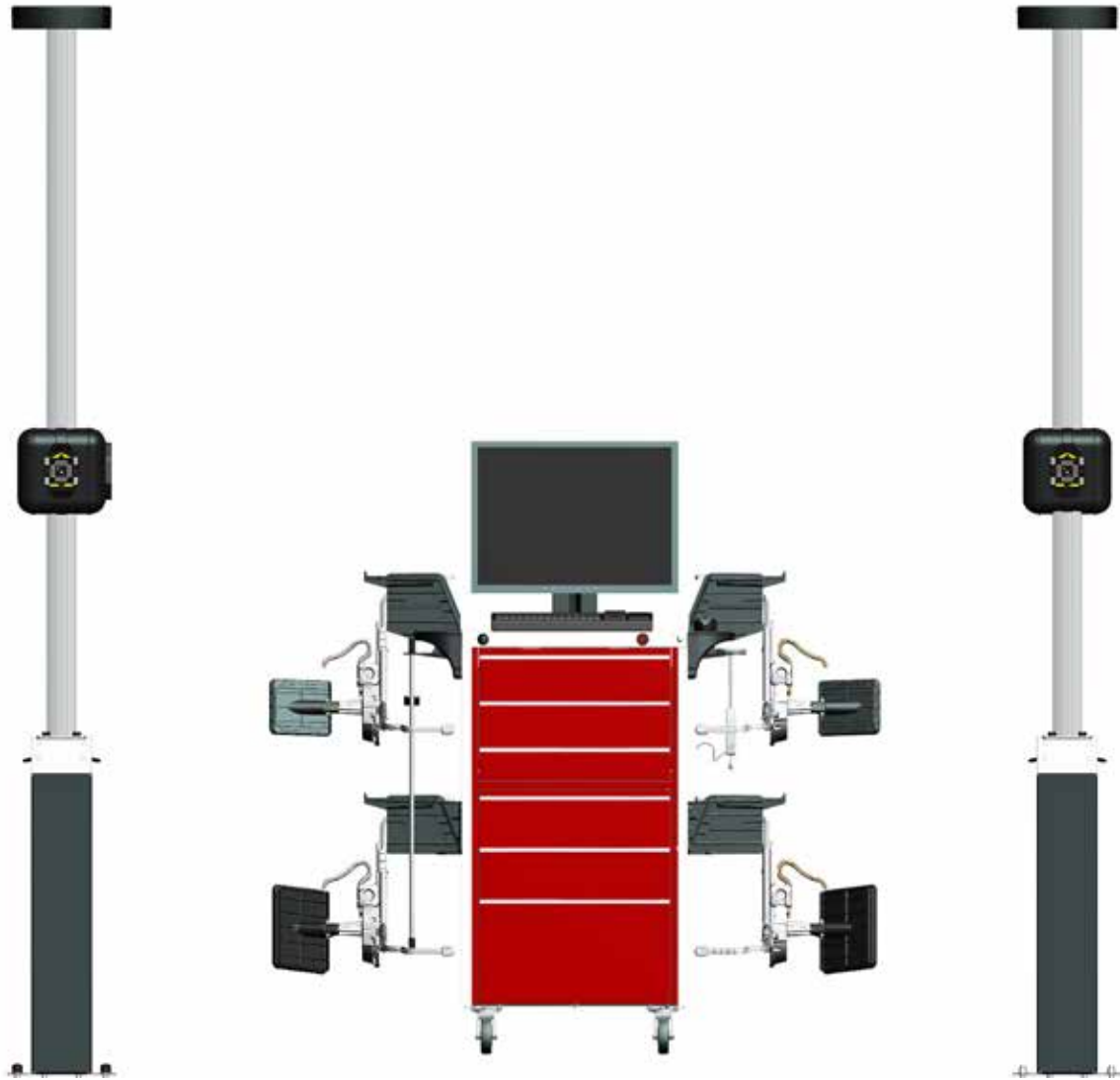


# ***WHEEL ALIGNER***



## ***Parts Manual***

All information contained or disclosed in this document is considered confidential and proprietary by Snap-on. All manufacturing, use, reproduction, and sales rights are reserved by Snap-on and the information contained herein shall not be used in whole or in part without the express written consent of Snap-on.

# Table of Contents

BOM 3400 / GEO 790 - PREMIUM .....	2
BOM V2400 / GEO 680 - SUPER .....	3
BOM V2300 / GEO 670 - HIGH.....	4
BOM V2200 / GEO 650 - MID LEVEL.....	5
BOM V3450 / GEO 795.....	6
PC ASSEMBLY.....	7
CABINET (HIGH END).....	10
CABINET (MED).....	12
EMBEDDED PC .....	14
KIT USB RADIO (V3400 / GEO 790) .....	16
CAMERA PODS (V3400 / GEO 790) .....	18
CAM/CAM ASSEMBLY.....	20
TARGET ASSEMBLY .....	20
POD CAR.....	22
AUDIT PODS.....	24
AUDIT PODS.....	25
AUDIT TOP ASSEMBLY.....	26
TOWER ASSY' KIOSK, PC (V3450 / GEO 795)) .....	27
PC ASSEMBLY GENERIC .....	28
BASE TOWER.....	30
BASE TOWER ASSY .....	32
CAMERA BEAM ASSEMBLY V2300 / GEO670.....	34
SUPPORT ASSEMBLY MOVEABLE BEAM .....	36
AC400 WHEEL CLAMP.....	40
WHEEL CLAMP.....	42
KIT - V3450 / GEO 795 DOCKING BASE .....	44
KIOSK PORTABLE BASE .....	45
PORTABLE AC400 CLAMP STAND.....	46

## BOM 3400 / GEO 790 - PREMIUM

PART NUMBER	DESCRIPTION
3-09806G	PRINTER KIT - USB
3-04008A	KIT, 27" LCD (VAS 701 001)
3-04408A	KIT, 24" LCD
EAS2164V11A	SUPPORT BRACKET MONITOR
88690	CONTROL - REMOTE, JBC ASSY
EAC0116J54A	BRACKET - CAST, CLAMP STORAGE, TOP
EAC0116J55A	BRACKET - CAST, CLAMP STORAGE, BOTTOM

## BOM V2400 / GEO 680 - SUPER

PART NUMBER	D ESCRIPTION
3-04408A	KIT-24 IN LCD
3-05608A	KIT- MONITOR 22 IN LCD W/CABLE
3-09806G	PRINTER KIT
EAS2164V11A	SUPPORT BRACKET MONITOR
00088690000	REMOTE CONTROL V97
EAC0116J54A	BRACKET - CAST, CLAMP STORAGE, TOP
EAC0116J55A	BRACKET - CAST, CLAMP STORAGE, BOTTOM

## BOM V2300 / GEO 670 - HIGH

PART NUMBER	DESCRIPTION
3-09806G	PRINTER KIT - USB
3-04008A	STEERING WHEEL HOLDER
3-06608A	KIT, 24" LCD
EAS2164V11A	SUPPORT BRACKET MONITOR
88690	CONTROL - REMOTE, JBC ASSY
EAC0116J54A	BRACKET - CAST, CLAMP STORAGE, TOP
EAC0116J55A	BRACKET - CAST, CLAMP STORAGE, BOTTOM

## BOM V2200 / GEO 650 - MID LEVEL

PART NUMBER	DESCRIPTION
3-05608A	KIT – 22" LCD MONITOR
3-09806G	PRINTER KIT - USB
EAS2164V11A	SUPPORT BRACKET MONITOR
EAC0116J54A	BRACKET - CAST, CLAMP STORAGE, TOP
EAC0116J55A	BRACKET - CAST, CLAMP STORAGE, BOTTOM

BOM V3450 / GEO 795

PART NUMBER	DESCRIPTION
3-09806G	PRINTER KIT - USB
3-04408A	KIT - MONITOR-24", WIDE SCN LCD W/CABLE



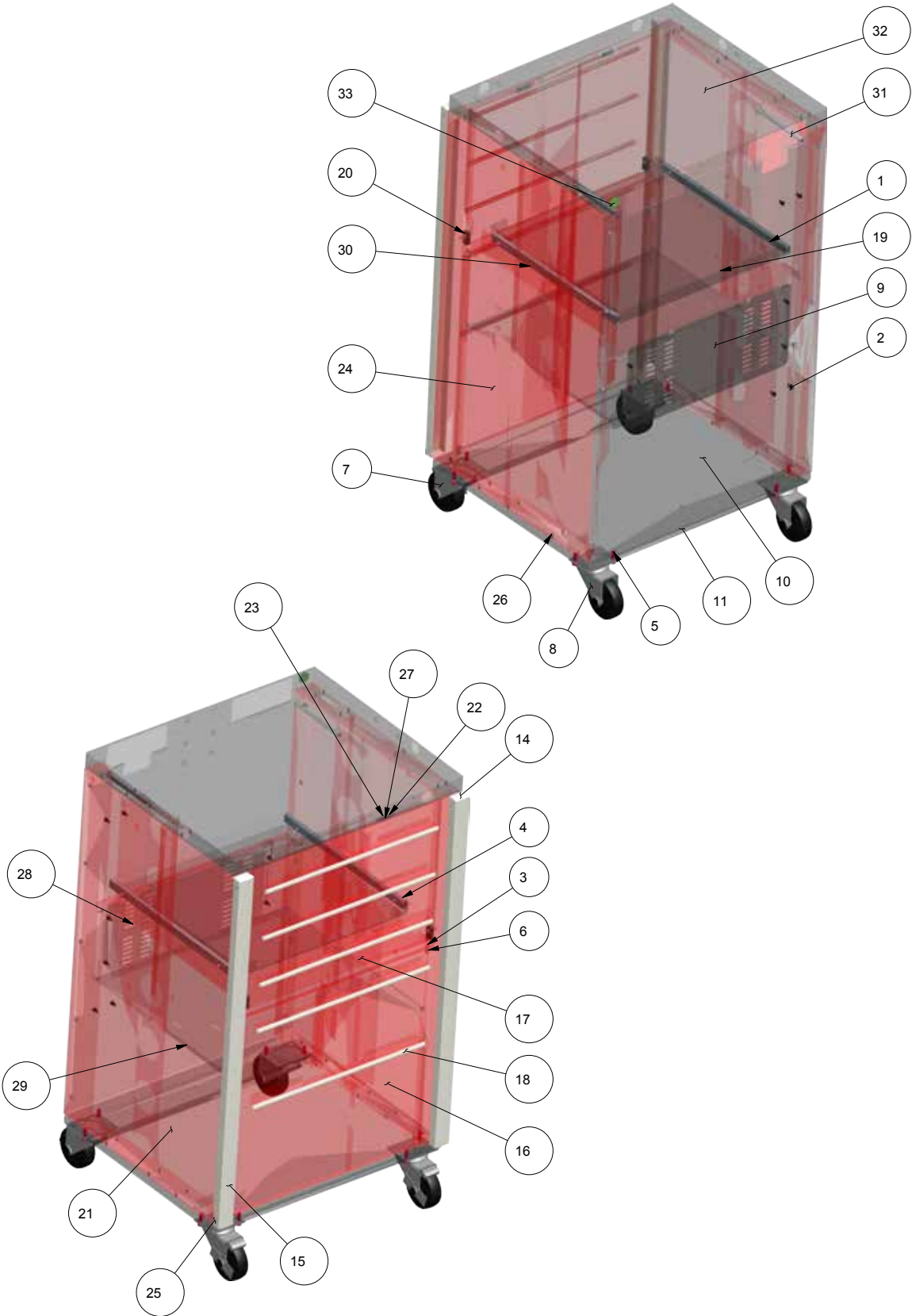
## PC ASSEMBLY

PART NUMBER	DESCRIPTION
EAK0279G92A	PC, DELL OPTIPLEX, 3020, SFF, SERVICE

THIS PAGE IS LEFT BLANK INTENTIONALLY

THIS PAGE IS LEFT BLANK INTENTIONALLY

**CABINET (HIGH END)**  
**EAA0416V46A - RED**  
**EAA0416V47A - BLUE**



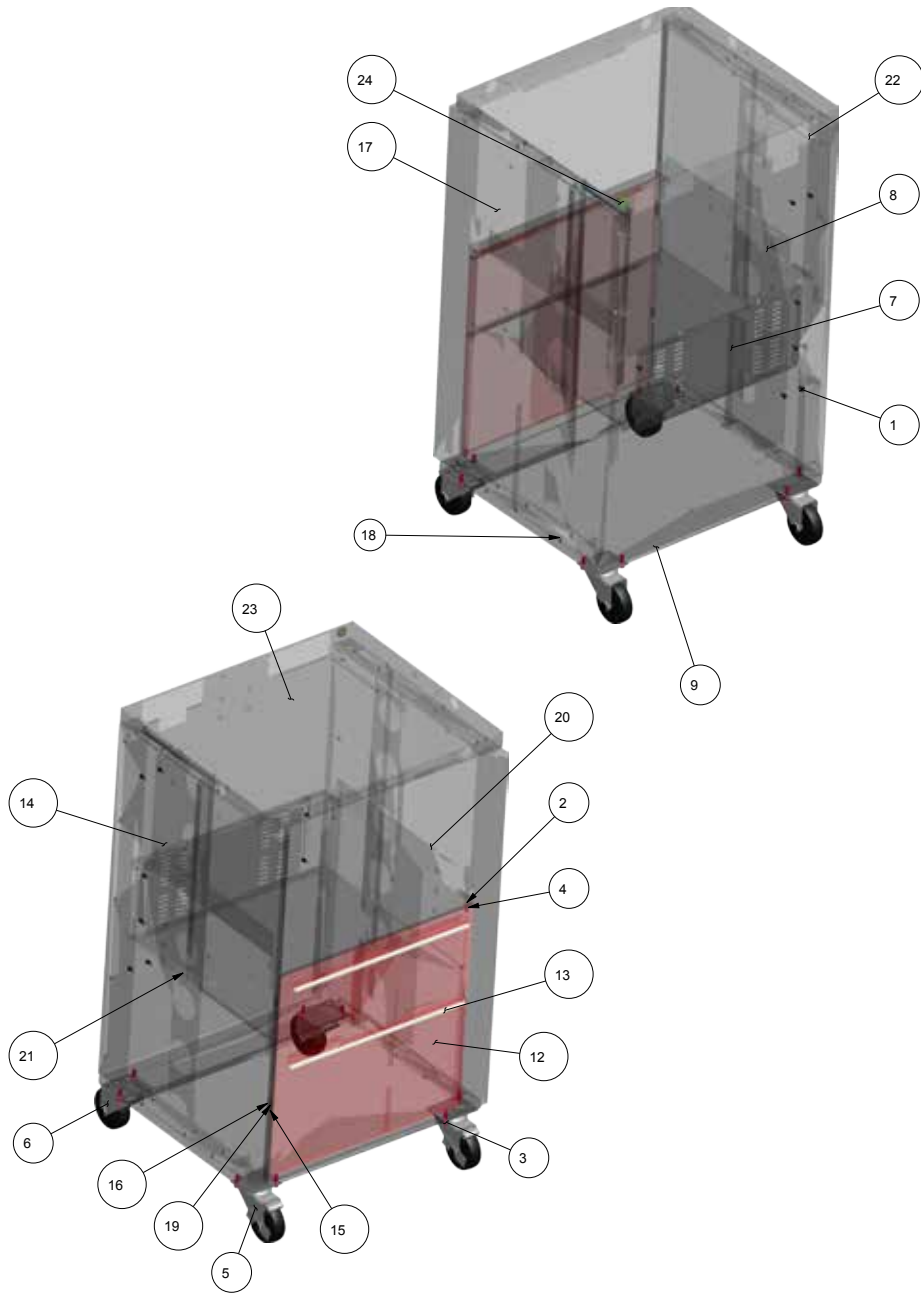
SYM	REQD	PART NO	DESCRIPTION
7	4	8-33939A	CASTER-SWIVEL 5" WITH BRAKE
14	2	EAC0116J56A	CAP,CORNER TRIM
15	2	EAC0121V06A	CORNER TRIM,ARC SHAPE
16	1	EAA0416V30A	DOOR ASSY,PC,RED
		EAA0416V26A	DOOR ASSY,PC,BLUE
17	1	EAA0416V29A	DOOR ASSY,PRINTER,RED
		EAA0416V25A	DOOR ASSY,PRINTER,BLUE
18	5	EAC0121V05A	DOOR TRIM, FRONT
22	4	8-04842A	MAGNET,30X10X3MM

ITEMS BELOW NOT SHOWN

PART NUMBER	DESCRIPTION
EAA0395J67B	PC-IN-BOX, PRO42, WIRELESS

# CABINET (MED)

EAA0416V44A - RED  
EAA0416V45A - BLUE

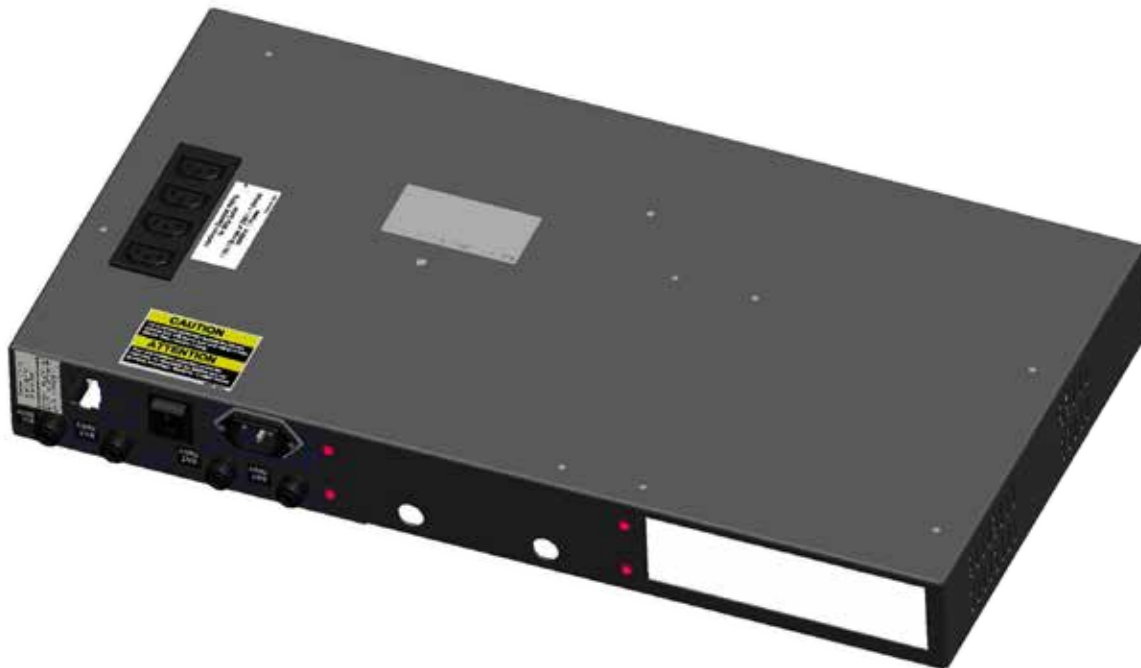


SYM	REQD	PART NO	DESCRIPTION
5	4	8-33739A	CASTER-SWIVEL 4" WITH BRAKE
12	1	EAA0416V30A	DOOR ASSY,PC,RED
		EAA0416V26A	DOOR ASSY,PC,BLUE
13	2	EAC0121V05A	DOOR TRIM, FRONT
15	2	8-04842A	MAGNET,30X10X3MM

## EMBEDDED PC

EAA0395J66E EMBED PC, 2-CAM, EU, COMPLETE, CRG

EAA0395J67E EMBED PC, 3-CAM, EU, COMPLETE, CRG



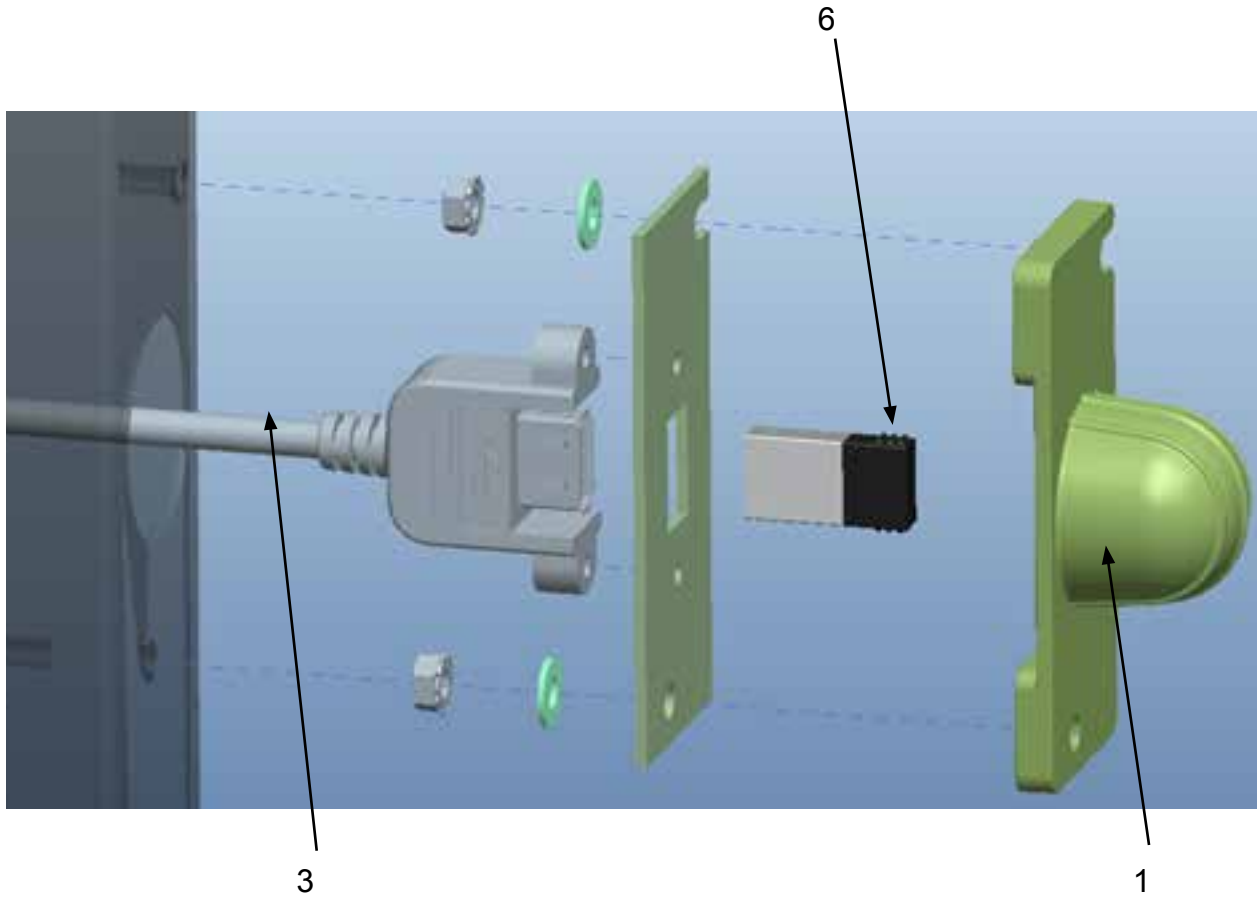
NOTE: ENTIRE EMBEDDED PC MUST BE REPLACED.



THIS PAGE IS LEFT BLANK INTENTIONALLY

# KIT USB RADIO (V3400 / GEO 790)

EAK0305J36A

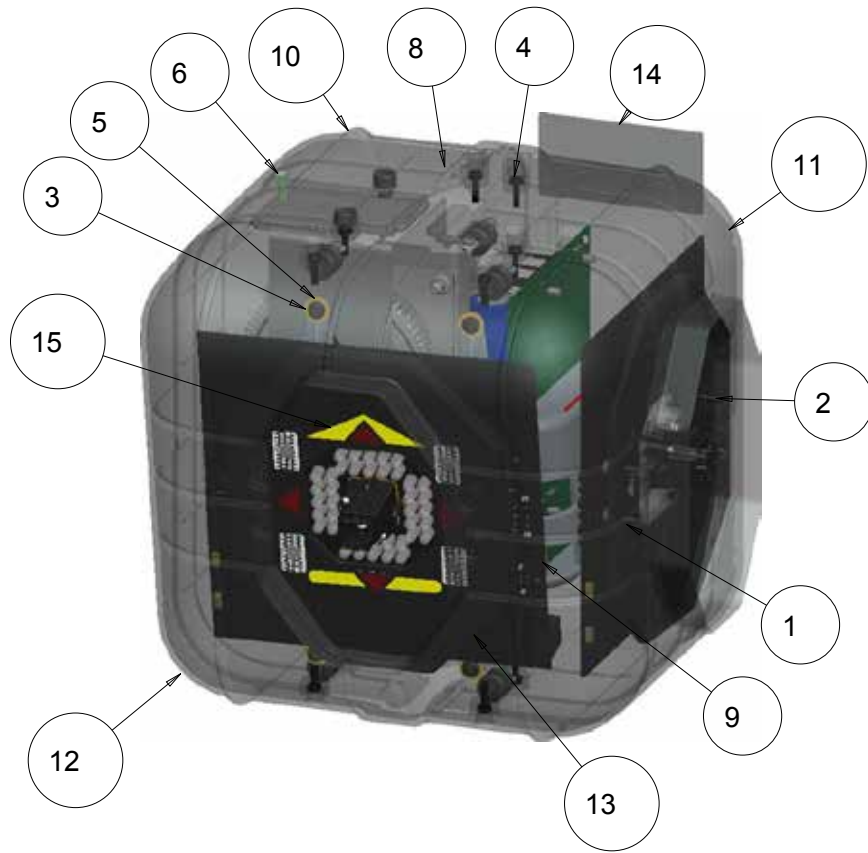


REQD	ITEM	PART NUMBER	DESCRIPTION
1	1	EAC0105J44A	COVER - USB RADIO, PRISM CAB
1	3	EAW0235J91A	CABLE ASM - USB RADIO (39.4" - 1M)
1	6*	2-02639A	USB RADIO
1	6*	2-03039A	USB RADIO (TELEC APPROVED FOR JAPAN)
* NOT CONTAINED IN KIT			

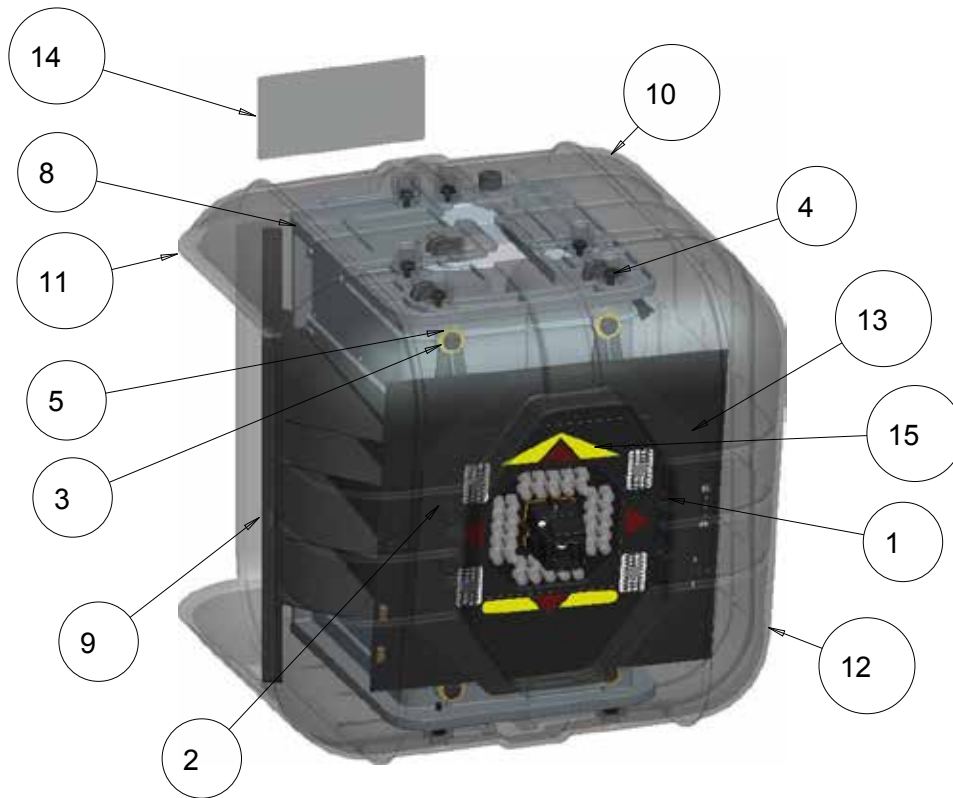
THIS PAGE IS LEFT BLANK INTENTIONALLY

CAMERA PODS (V3400 / GEO 790)

EAA0381J82A1



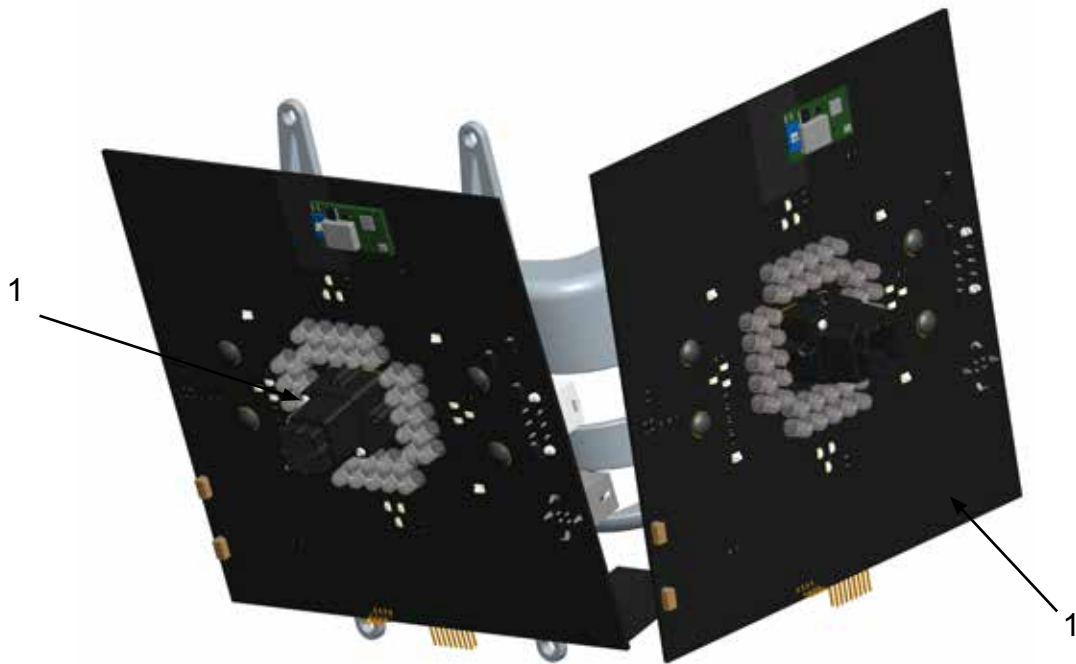
EAA0381J82B1



SYM	REQD	PART NO	DESCRIPTION
10	1	EAA0381J84A	COVER-WIRELESS UHR,SOLID,EU
11	1	EAA0381J86A	COVER-WIRELESS UHR,CAL-CAM,EU
	1	EAA0381J87A	COVER - V3D3, TARGET
12	1	EAA0381J85A	COVER-WIRELESS UHR,FRONT,EU
13	2	EAA0381J79A	COVER - V3D3, VODI
16	1	EAW0235J48A	CABLE ASS'Y, ULTRA MOTOR CABLE
17	2	EAW0235J51A	CABLE ASSY-CAMERA, ULTRA ARAGO
18	1	EAW0235J82A	CABLE - POWER, COILED V3D3
19	1	EAW0235J87A	CABLE ASM - V3D3, COMM.

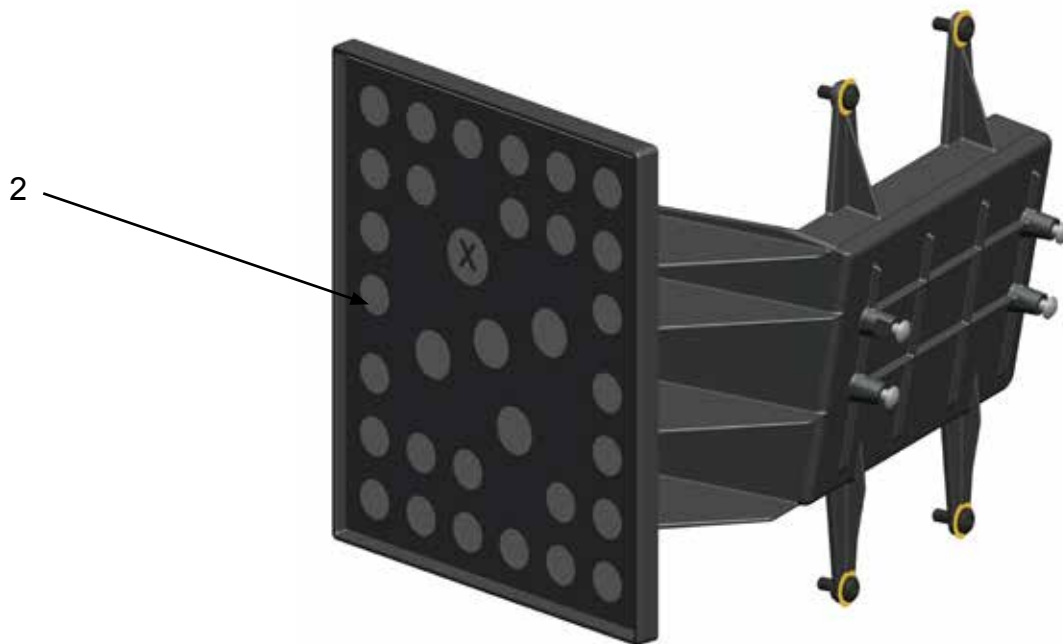


## CAM/CAM ASSEMBLY



REF	REQ	PART NO	DESCRIPTION
1	1	EAK0320J94C	CAMERA(1) SERVICE KIT. 3 CAMERA SYSTEM
2	1	EAK0305J79A	TARGET BRACKET ASSY

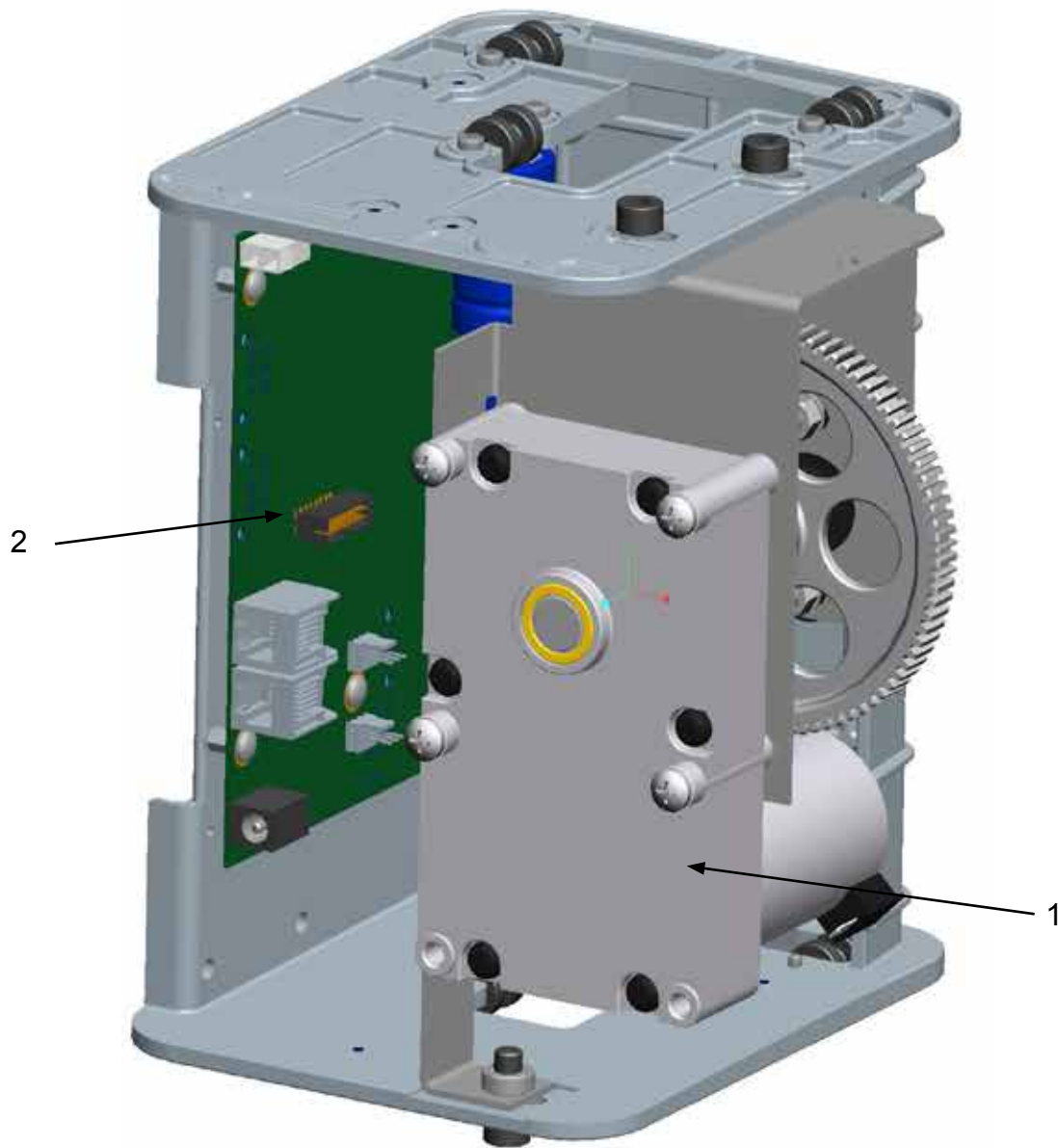
## TARGET ASSEMBLY



THIS PAGE IS LEFT BLANK INTENTIONALLY

# POD CAR

EAA0381J27A

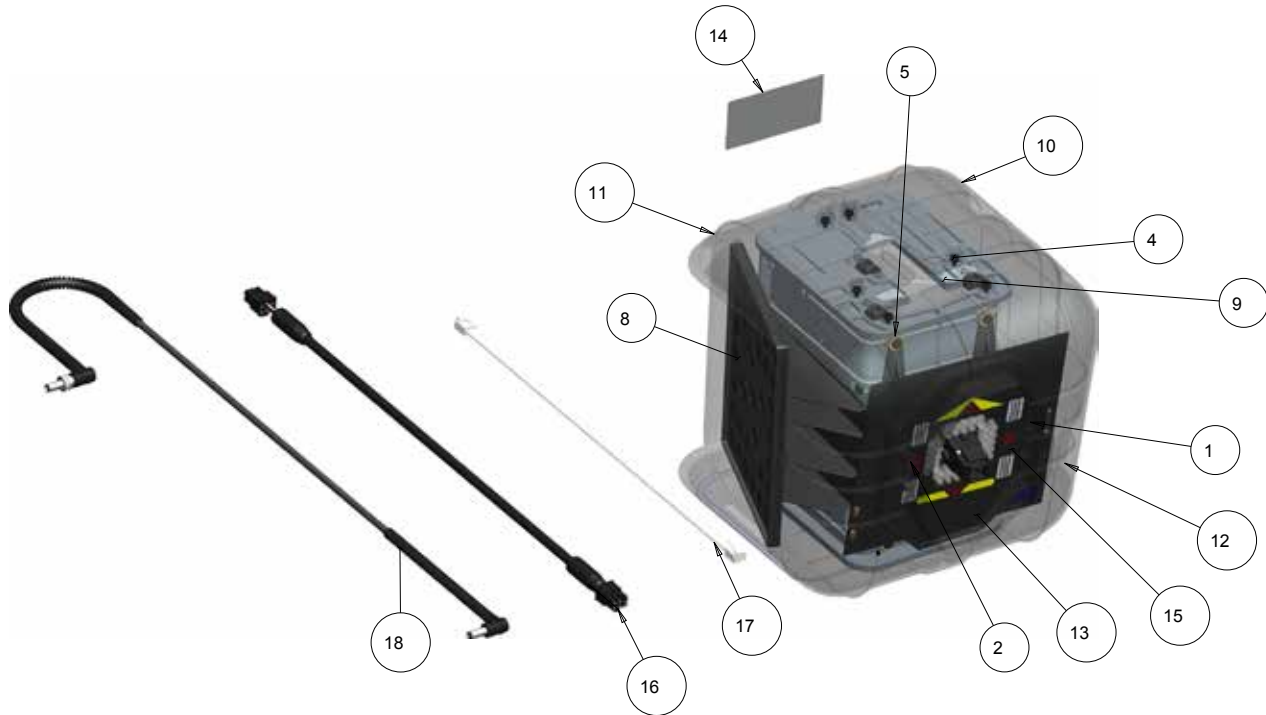


SYM	REQD	PART NO	DESCRIPTION
1	1	EAA0381J32A	MOTOR/GEAR ASM., V3D3
2	1	EAP0280J30A	CONTROL BOARD V3D3



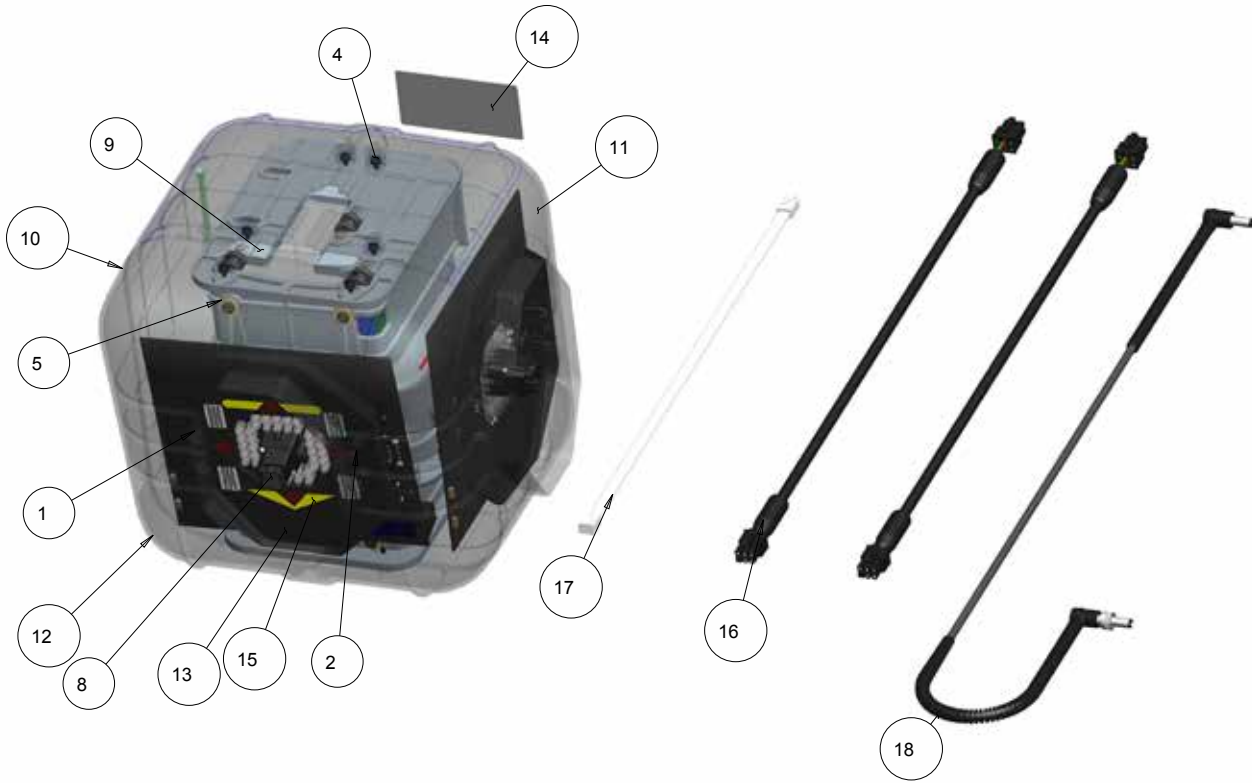
THIS PAGE IS LEFT BLANK INTENTIONALLY

AUDIT PODS  
EAA0381J99A



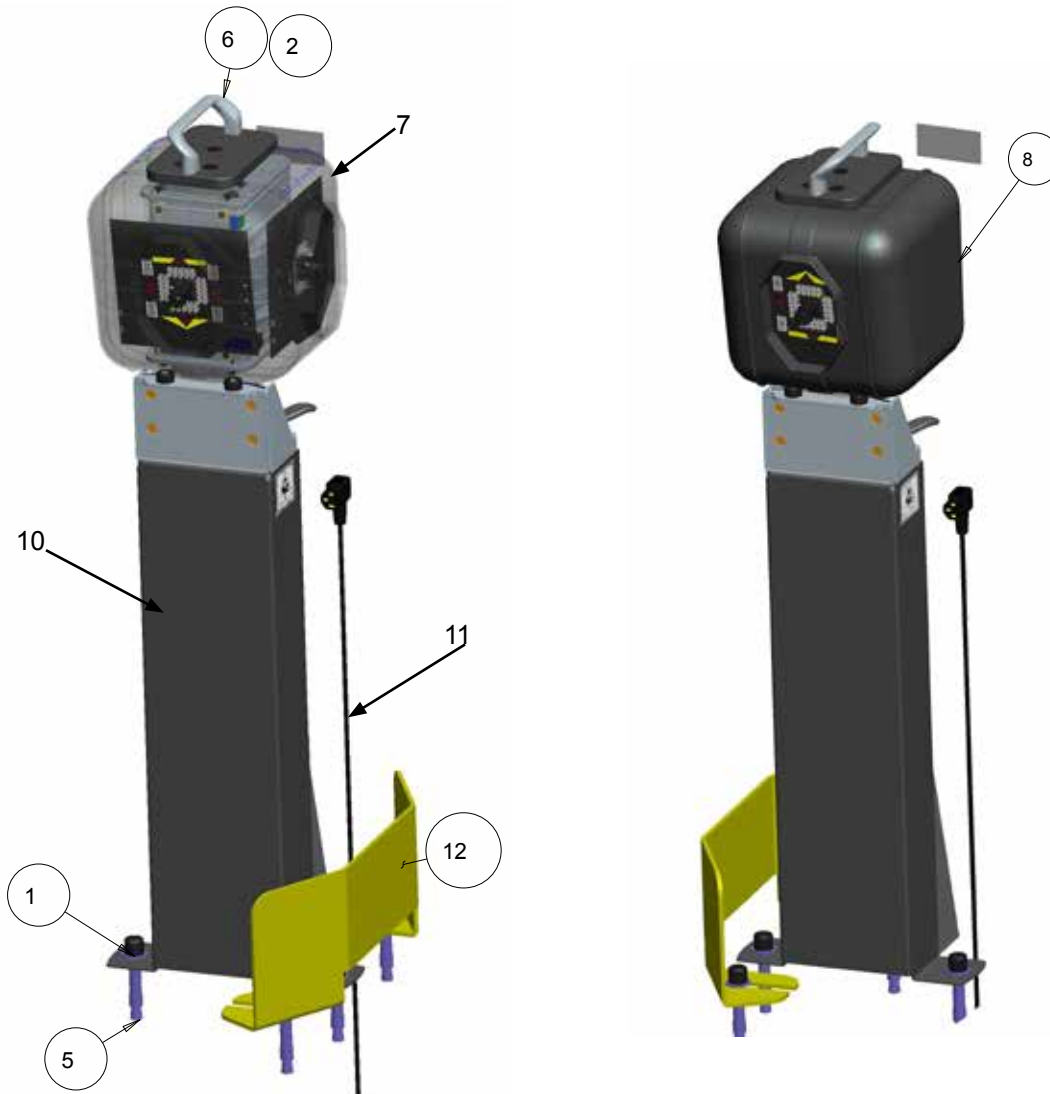
SYM	REQ	PART NO	DESCRIPTION
10	1	EAA0381J84A	COVER - V3D3, SOLID
11	1	EAA0381J87A	COVER - V3D3, TARGET
12	1	EAA0381J85A	COVER - V3D3, FRONT
13	1	EAA0381J79A	COVER - V3D3, VODI
16	1	EAW0235J51A	CABLE ASSY-CAMERA, ULTRA ARAGO
17	1	EAW0235J87A	CABLE ASM - V3D3, COMM.
18	1	EAW0235J89A	CABLE - POWER, V3450, AUD

**AUDIT PODS**  
EAA0381J98A



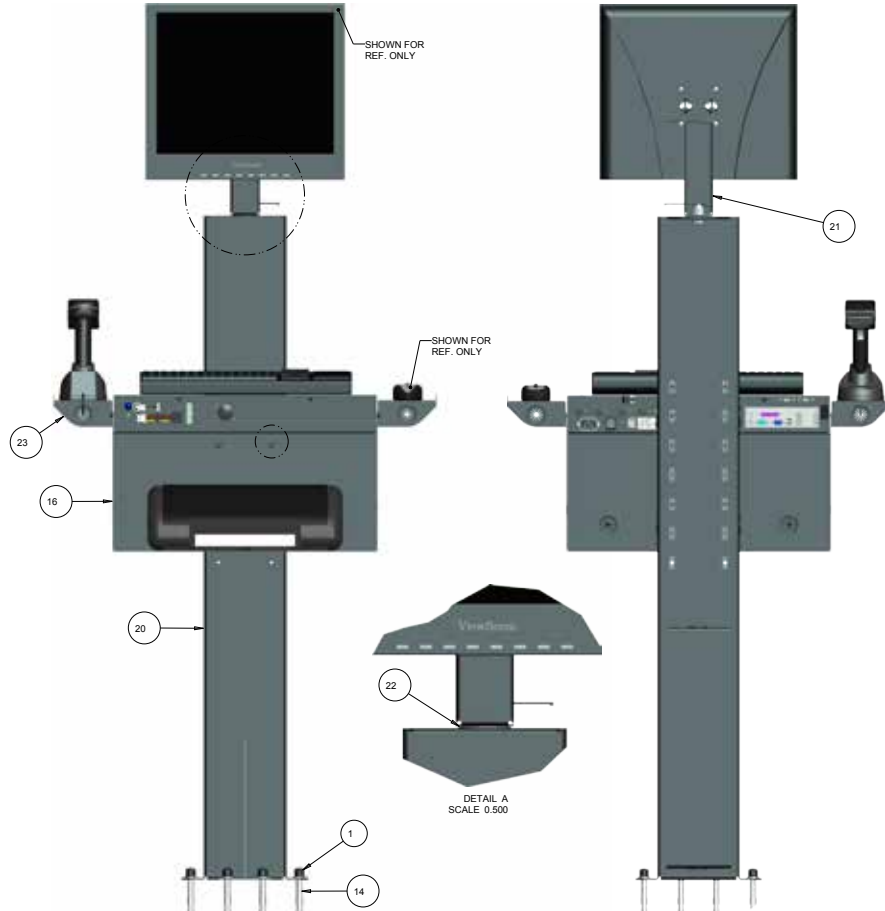
SYM	REQ	PART NO	DESCRIPTION
10	1	EAA0381J84A	COVER - V3D3, SOLID
11	1	EAA0381J86A	COVER - V3D3, CALCAM
12	1	EAA0381J85A	COVER - V3D3, FRONT
13	2	EAA0381J79A	COVER - V3D3, VODI
16	2	EAW0235J51A	CABLE ASSY-CAMERA, ULTRA ARAGO
17	1	EAW0235J87A	CABLE ASM - V3D3, COMM.
18	1	EAW0235J89A	CABLE - POWER, V3450, AUD

# AUDIT TOP ASSEMBLY



SYM	REQ	PART NO	DESCRIPTION
1	10	1-04476A	PLUG HOLE-NUT COVERS
3	5	6-0739	SHIM PLATE .06 THK
4	5	6-0740	SHIM PLATE .125 THK
6	2	8-12133A	HANDLE-45 DEG OFFSET
7	1	EAA0381J98A	POD ASSY - WIRELESS UHR,CAM-CAM,AUD
8	1	EAA0381J99A	POD ASSY-WIRELESS UHR,CAM-TAR,AUD
10	2	EAA0381J95A	BASE MOUNT ASM-AUDIT
11	1	28103	POWER CABLE
12	2	EAS2048J61A	GUARD - BASE, DRIVE-THRU

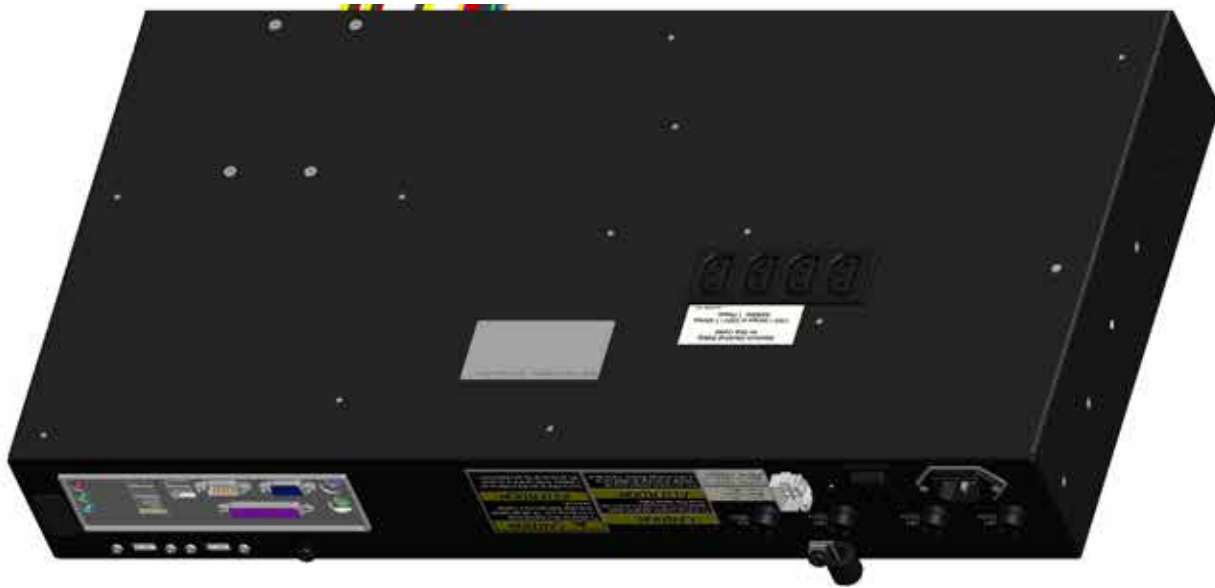
TOWER ASSY' KIOSK, PC (V3450 / GEO 795))



SYM	REQ	PART NO	DESCRIPTION
1	4	1-04476A	PLUG HOLE-NUT COVERS
16	1	EAA0353J82A	BOX SHELF WELD V3D PC BOX
20	1	EAS2119J39A	TOWER - ASM KIOSK, PC
21	1	EAS2119J40A	BRACKET - LCD, PIVOT
23	2	EAS2119J46A	BRACKET - SCANNER, SUPPORT

PC ASSEMBLY GENERIC

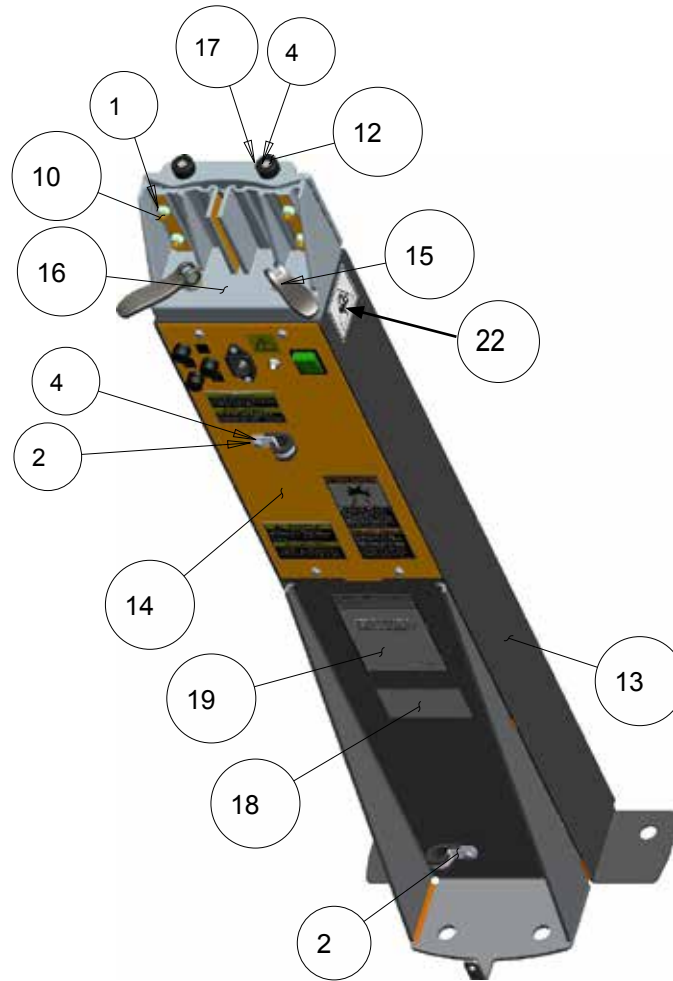
FOR SERVICE ORDER  
KIT AUDIT - EAK0289J77F  
KIT EL - EAK0289J77E



THIS PAGE IS LEFT BLANK INTENTIONALLY

# BASE TOWER

30" - EAA0381J38A - V3400 / 790  
 23" - EAA0381J38B - V3400 / 790  
 EAA0381J95A - V3450 / 795

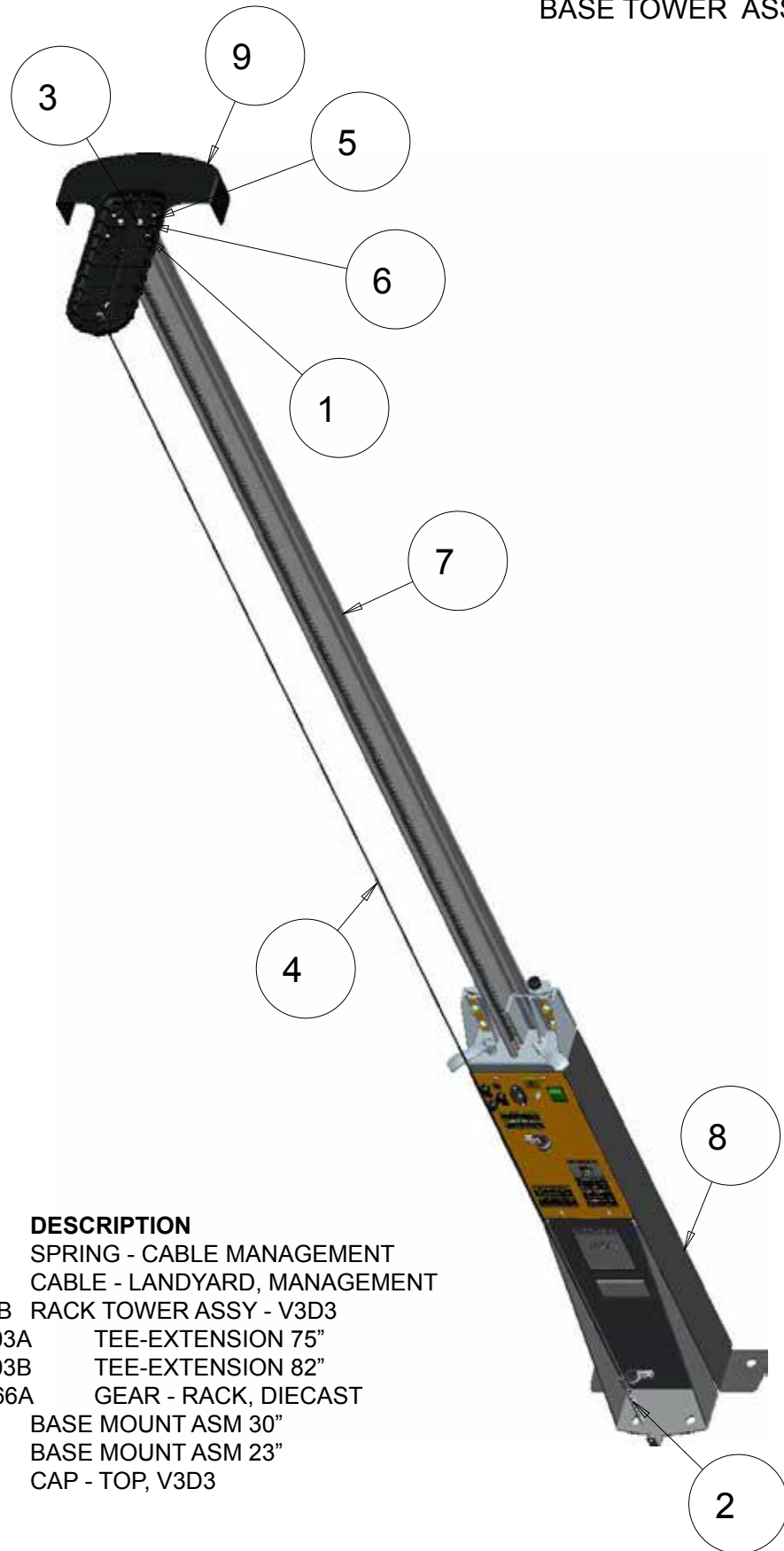


SYM	REQ	PART NO	DESCRIPTION
13	1	EAA0381J36A	WELD ASM - ALIGNER TOWER (V3400 / GEO 790)
		EAA0381J94A	WELD ASM - ALIGNER TOWER (V3450 / GEO 795)
15	2	EAA0381J45A	LEVER - CAM
16	1	EAC0116J14A	CLAMP - ALIGNER POLE, SIDE A
17	1	EAC0116J15A	CLAMSHELL-ALIGNER POLE, SIDE B



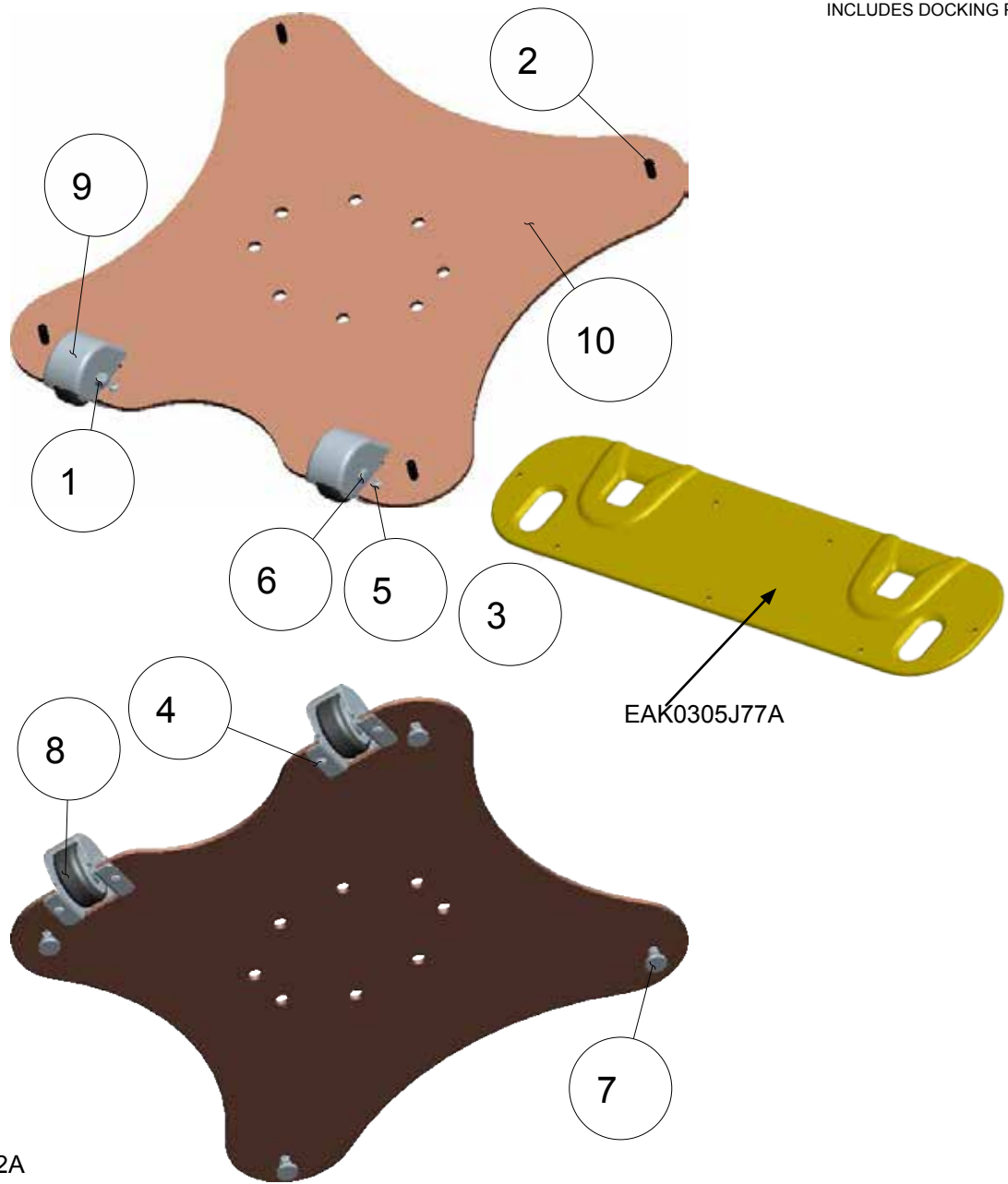
THIS PAGE IS LEFT BLANK INTENTIONALLY

BASE TOWER ASSY

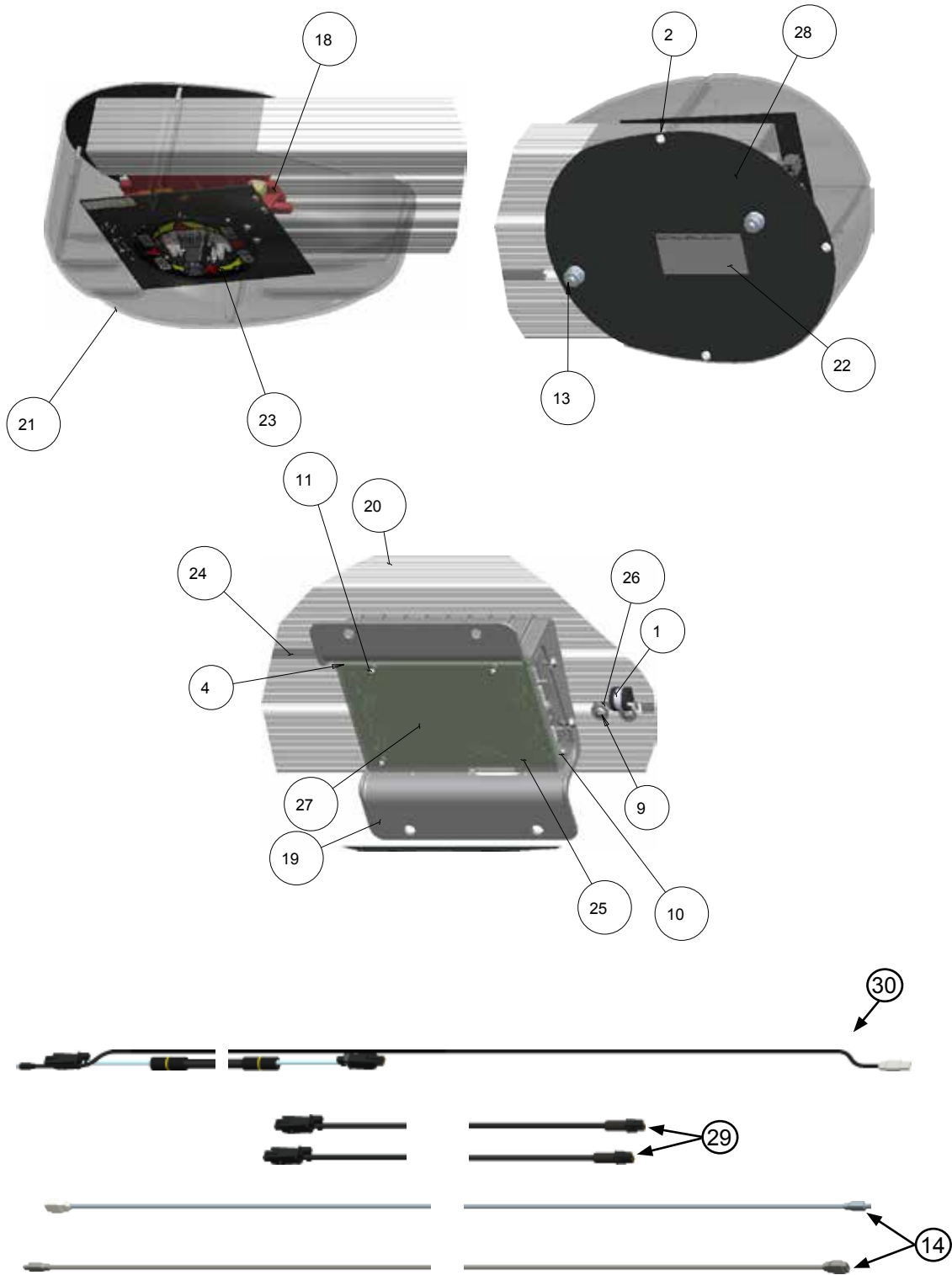


SYM	REQ	PART NO	DESCRIPTION
2	1	1-07767A	SPRING - CABLE MANAGEMENT
4	1	1-26384A	CABLE - LANDYARD, MANAGEMENT
7	1	EAA0381J33A/B	RACK TOWER ASSY - V3D3
	1	EAC0116J03A	TEE-EXTENSION 75"
	1	EAC0116J03B	TEE-EXTENSION 82"
	4	EAC0079J66A	GEAR - RACK, DIECAST
8	1	EAA0381J38A	BASE MOUNT ASM 30"
	1	EAA0381J38B	BASE MOUNT ASM 23"
9	1	EAC0116J17A	CAP - TOP, V3D3

EAK0305J78A - KIT MOBILITY BASE  
INCLUDES DOCKING PAD

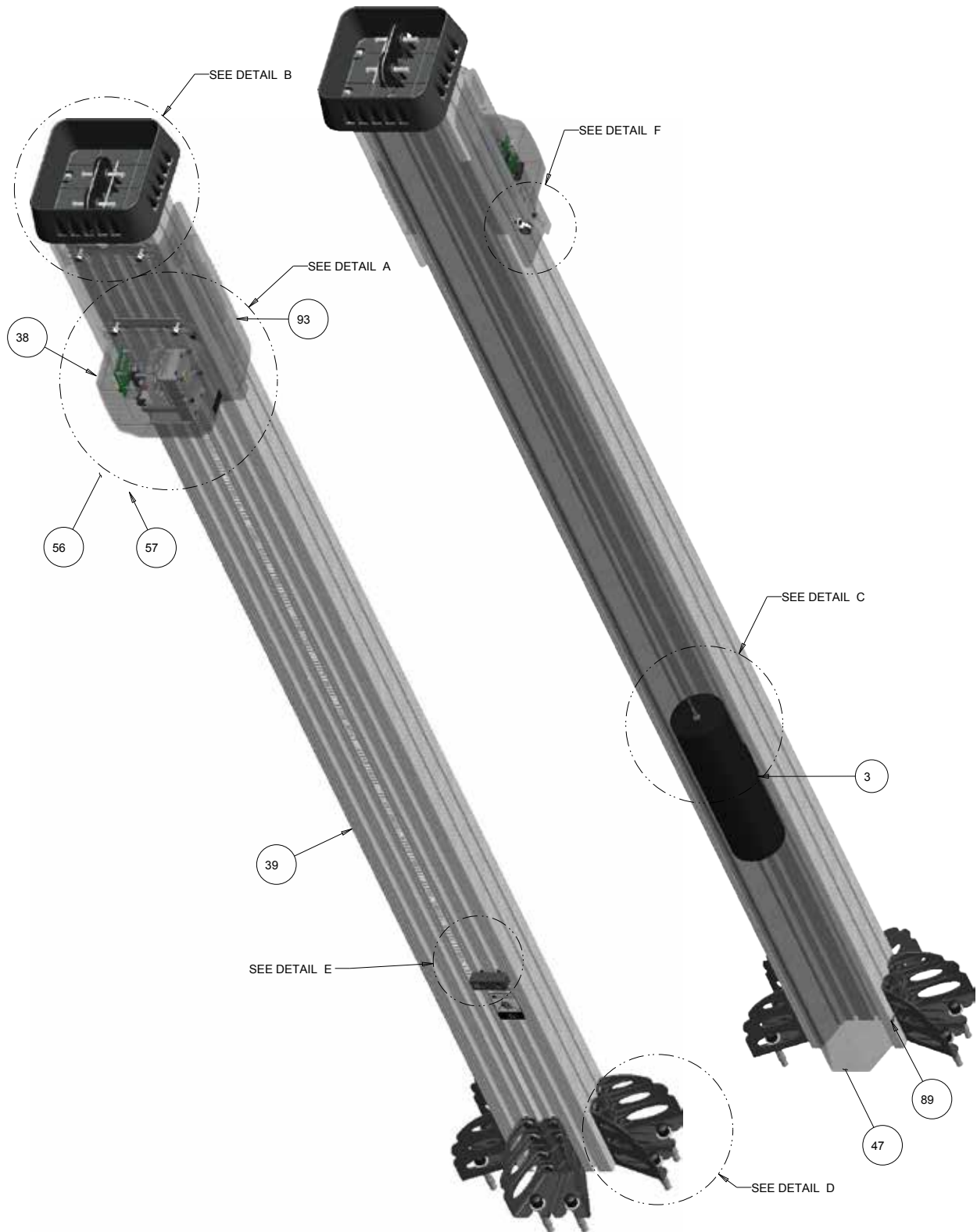


# CAMERA BEAM ASSEMBLY V2300 / GEO670



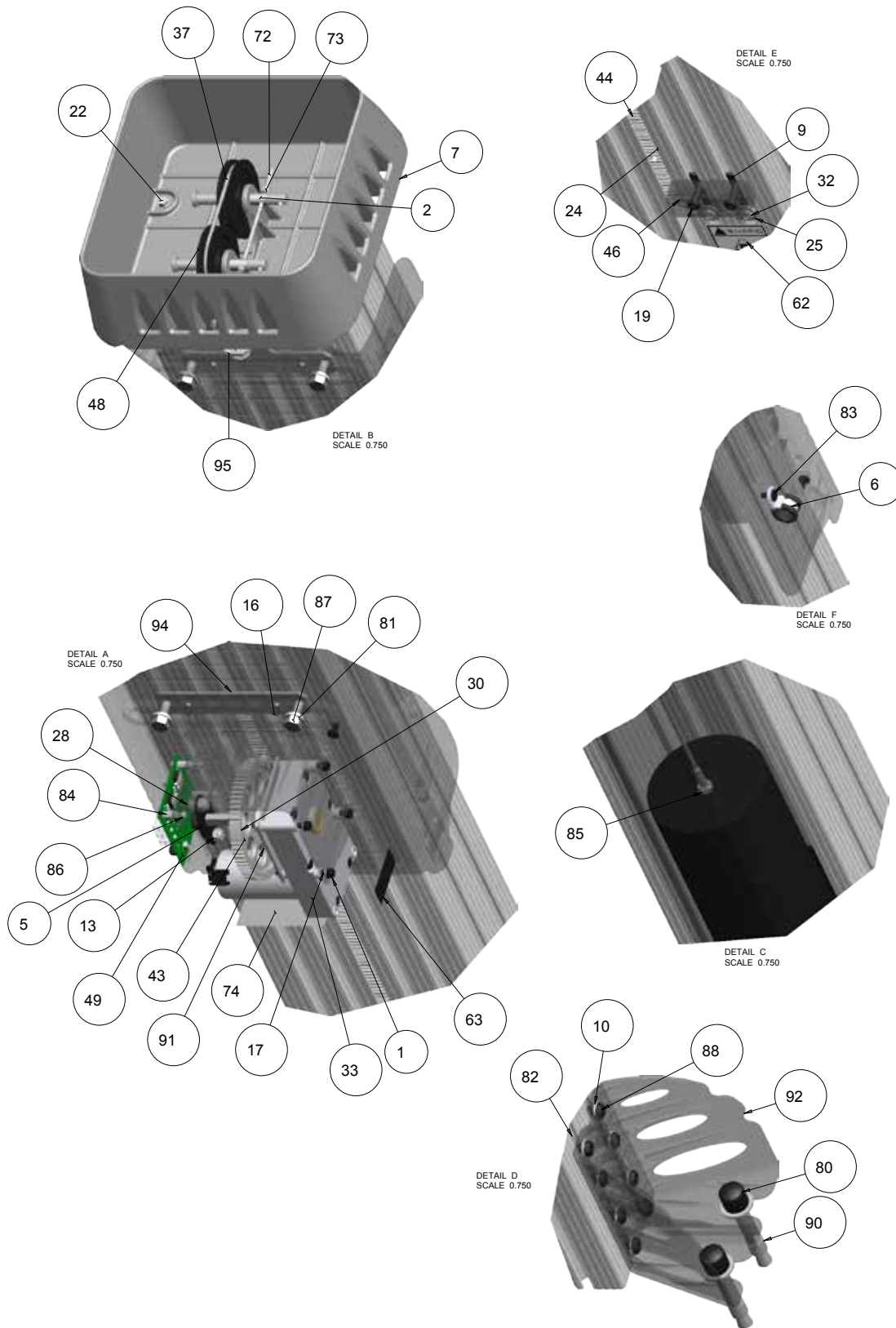
SYM	REQ	PART NO	DESCRIPTION
14	2	6-02422B6	CABLE-USB A MALE / B MALE
18	2	EAK0277J97A	ULTRA CAMERA
		EAK0277J97B	UHR CAMERA (NO RADIO)
		EAK0320J94C	V3400 XD'S - GEO 790 (RADIO)
		EAK0320J94D	V2300 / V2200 - GEO 670 / GEO 650 (NO RADIO)
19	1	EAC0090J83A	BRACKET - UA2, BEAM
23	2	EAL0415J16A	VODI - UA2, UHR
25	1	EAP0238J30C	HUB ASM. - PCB, V3D2
27	1	EAS2105J61A	BRACKET - USB PCB, UA2
28	2	EAS2119J07A	PLATE - COVER, CAMERA
29	2	EAW0235J44A	CABLE ASSY-CAMERA, ULTRA
30	1	EAW0235J46A	CABLE ASSY - INTERFACE HUB, PC

SUPPORT ASSEMBLY MOVEABLE BEAM  
EAA0321J19C



# SUPPORT ASSEMBLY MOVEABLE BEAM

EAA0321J19C



SUPPORT ASSEMBLY MOVEABLE BEAM

EAA0321J19C

SYM	REQ	PART NO	DESCRIPTION
3	1	EAA0361J60A	ASSY., COUNTERWEIGHT MOVEABLE BOOMM
7	1	EAC0105J38A	BRACKET - CAST - TOP, UA2M
33	1	2-44066A	GEAR MOTOR, 12V, ULTRA
37	1	EAA0321J17A	CABLE ASM.- ULTRA, WEIGHT
38	1	EAC0079J28A	COVER - MOTOR, ULTRA
39	1	EAM0054J64A	EXTRUSION - MAIN, 4 X 7
43	1	EAC0090J07A	SPUR GEAR- MOVEABLE, ULTRA
44	4	EAC0090J06A	RACK MOVE UA, IC
46	2	EAM0023J85A	STOP - LIMIT SWITCH
47	1	EAM0023J86A	COVER - CW, CUT ULTRA
48	2	EAM0044J05A	PULLEY- ULTRA MOVEABLE
49	1	EAP0238J60B	MOTOR CONTROL, ULTRA
56	1	EAW0235J47A	CABLE ASSY - ULTRA MOTOR CONTROLLER
57	1	EAW0259P01A	CABLE ASS'Y MOTOR DRIVE



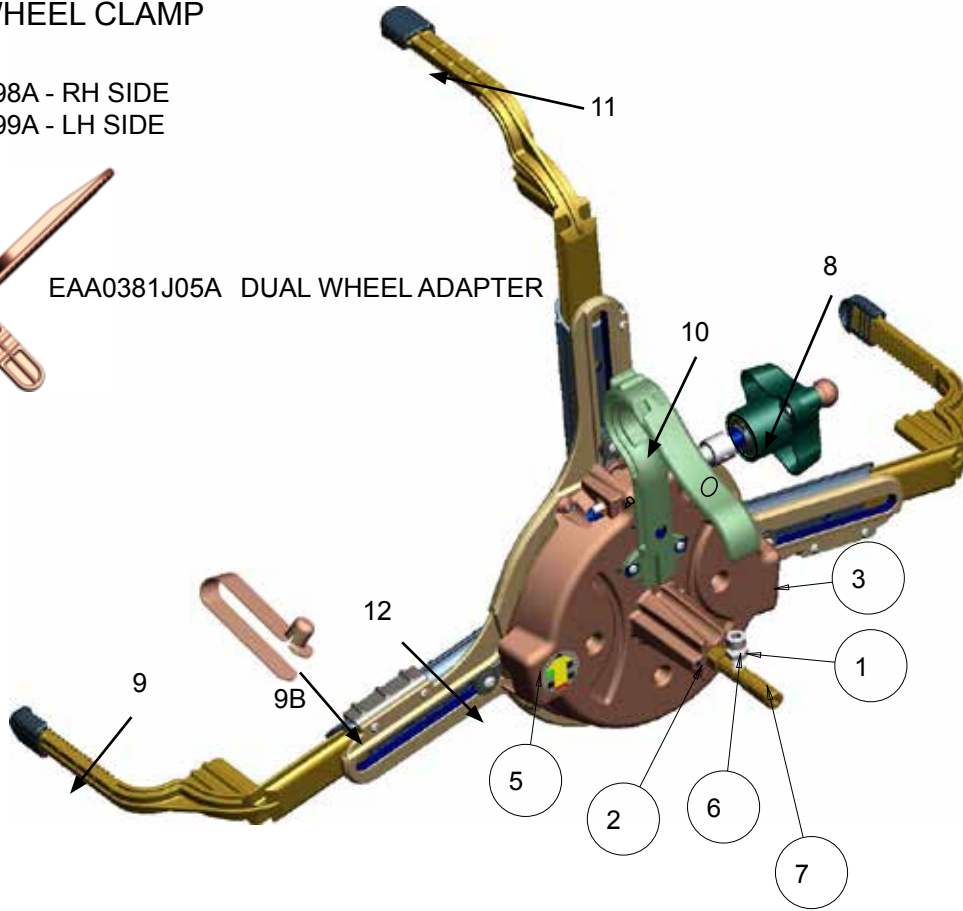
THIS PAGE IS LEFT BLANK INTENTIONALLY

# AC400 WHEEL CLAMP

EAA0361J98A - RH SIDE  
EAA0361J99A - LH SIDE



EAA0381J05A DUAL WHEEL ADAPTER



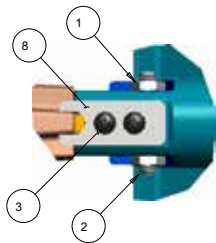
EAK0305J72A (FRONT) KIT PARTS LIST: (V3400)



EAK0305J73A (REAR) KIT PARTS LIST: (V3400 / V2300)



EAK0320J33A (FRONT) KIT PARTS LIST: (V2300)



SYM	REQ	PART NO	DESCRIPTION
1	2	1-20733A	NUT - JAM, M8
2	2	1-54810A	SCREW - SET. M8 X 20mm, CONE PT
3	2	1-16006A	SCREW - PHM, M5 X 12mm
8	1	EAS2146J24A	PLATE - ANIT ROTATION, AC400

SYM	REQD	PART NO	DESCRIPTION
1	1	1-20733A	NUT - JAM, M8
2	2	1-62609A	SCREW - SHC, #6-32 X 1/2
3	1	EAA0361J99A	DNH - LEFT CLAMP ASM. DNH - RIGHT CLAMP ASM.
4	1	EAA0381J34A	XD TARGET ASM - FRONT
5	1	EAL0415J09A	DECAL - LEFT FRONT, INDICATOR
		EAL0415J10A	DECAL LEFT REAR
		EAL0415J11A	DECAL RIGHT REAR
		EAL0415J12A	DECAL RIGHT FRONT
6	1	EAM0007J19A	SCREW - SHC, M8 SPECIAL
7	1	EAM0088J15A	BUSHING - AC400, SP
8		EAA0381J12A	KIT - KNOB SERVICE
9		EAA0381J13A	BRACKET PAW - SVC KIT
9B		1-25752A	QUICK RELEASE BUTTON
10		EAC0105J78A	HANDLE
11		EAC0105J93A	AC400 BUMPER TIGER PAW (RUBBER TIP ONLY)
12		EAK0320J22A	PLASTIC WASHER REPAIR KIT (TSB WA-1185-1)

**NOTE: There are NO Service items other than what is listed in this parts reference. At no time should a wheel clamp be disassembled in the field for repair.**

#### ACCESSORIES

EAK0305J50A	KIT DUAL WHEEL ADAPTER (6)
EAA0381J05A	DUAL WHEEL ADAPTER (1)
EAK0222J83B	WHEELS OFF ADAPTER KIT

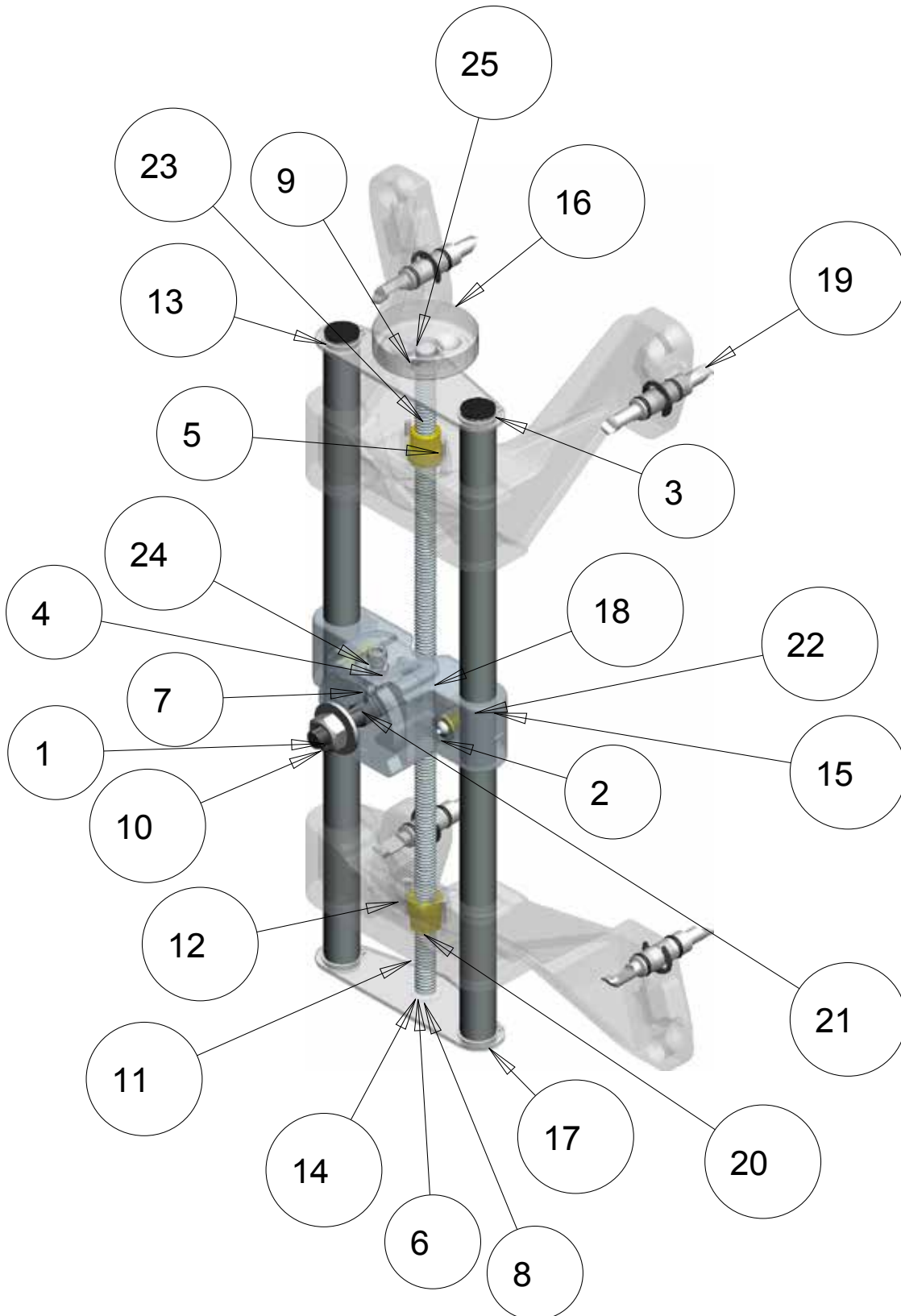
**NOTE: Each kit below contains (4) clamps & (4) targets for a complete aligner**

OPTIONAL CLAMP/TARGET KITS		
CLAMP	VALID FOR V3400 / 790	VALID FOR V2300/ 670
AC100	EAK0305J83A	EAK0320J36A
AC200	EAK0305J84A	EAK0320J34A
AC400	EAK0305J85A	EAK0320J35A

# WHEEL CLAMP

EAK0268J56A - WHEEL CLAMP LONG (NA) AC200

EAK0268J78A - WHEEL CLAMP SHORT (EURO) AC100

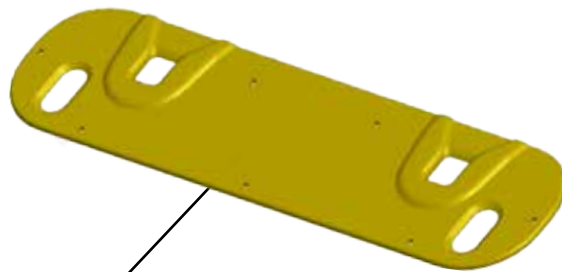
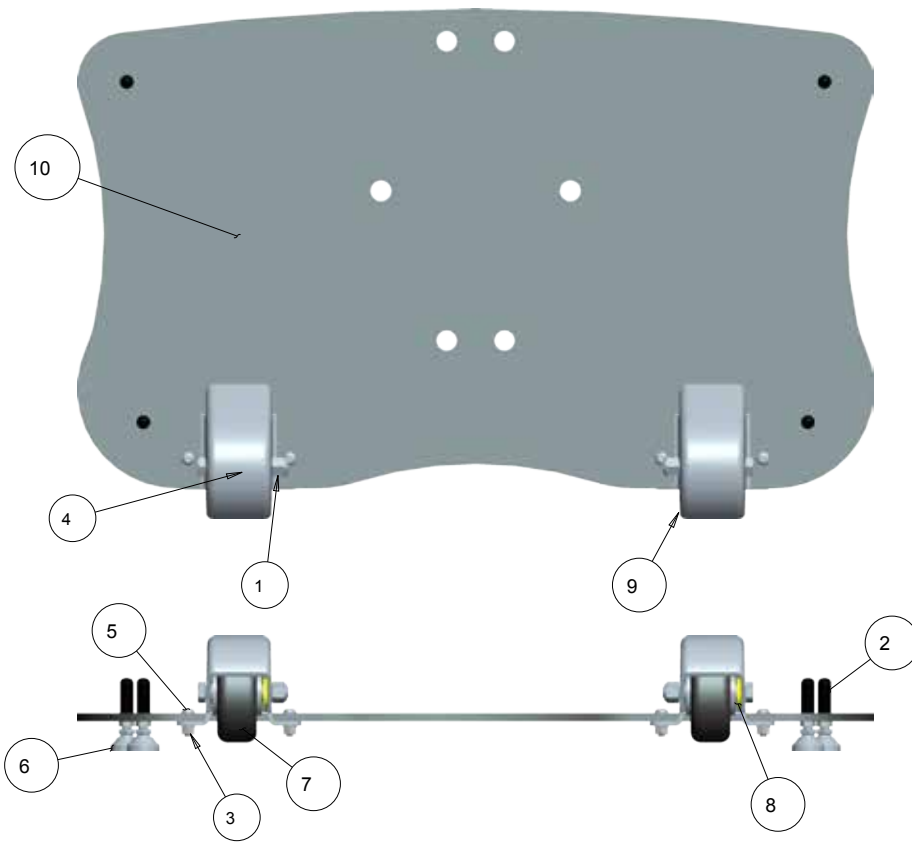


SYM	REQ	PART NO	DESCRIPTION
1	1	1-1041	WASHER - FLAT, 1/2
2	3	1-14144A	WASHER-FLAT, M6
3	8	1-17677A	RETAINING RING
4	1	1-20733A	NUT - JAM, M8
5	4	1-28103A	MSCR, PH FLH M4 X 25MM
6	1	1-3447	M6 LOCKWASHER, INTERNAL TOOTH
7	1	1-37410	SCREW-SET M3 X .5 X 10MM, CUP PT.
8	3	1-50309A	SCREW-BHCS M6X10MM
9	1	1-6152	PIN-STRAIGHT SLOTTED M4 X 20MM
10	1	1-933	NUT-HEX, 1/2-13
11	2	EAC0079J48A	BRACKET-LONG WHEEL CLAMP (FRONT)
12	2	EAC0079J50A	COVER-FEED SCREW LOCK
13	2	EAC0079J51A	PLUG - PLASTIC, 19MM HOLE
14	2	EAC0079J52A	WASHER-THRUST PLASTIC PLASTIC, 19MM HOLE
15	1	EAC0079J53A	CENTER SLIDE BRACKET
16	1	EAM0044J13A	KNOB HAND WHEEL
17	2	EAM0044J14A	TUBE-WHEEL CLAMP LONG (NA)
		EAM0044J64A	TUBE-WHEEL CLAMP SHORT (EURO)
18	1	EAM0044J16A	SCREW-DOUBLE LEAD LONG (NA)
	1	EAM0044J65A	SCREW-DOUBLE LEAD SHORT (EURO)
19	4	EAM0044J19A	GRABBER ASM.
20	1	EAM0044J20A	BUSHING-THREADED BRASS RH
21	1	EAM0044J21A	CENTER STATIONARY
22	2	EAM0044J22A	PIN-TUBE LOCK
23	1	EAM0044J24A	BUSHING THREADED BRASS LH
		EAM0044J20A	BUSHING THREADED BRASS RH
24	1	EAM0044J47A	SCREW - SHCS M8X30 FULL THD
25	2	EAS2084J29A	PLATE-RETAINER

PART NUMBER	DESCRIPTION
1-08584A	CORD – BUNGEE, BLACK 16”
EAK0268J41B	GRABBER KIT – DUAL END
EAC0105J35A	COVER-RUBBER, V3D

# KIT - V3450 / GEO 795 DOCKING BASE

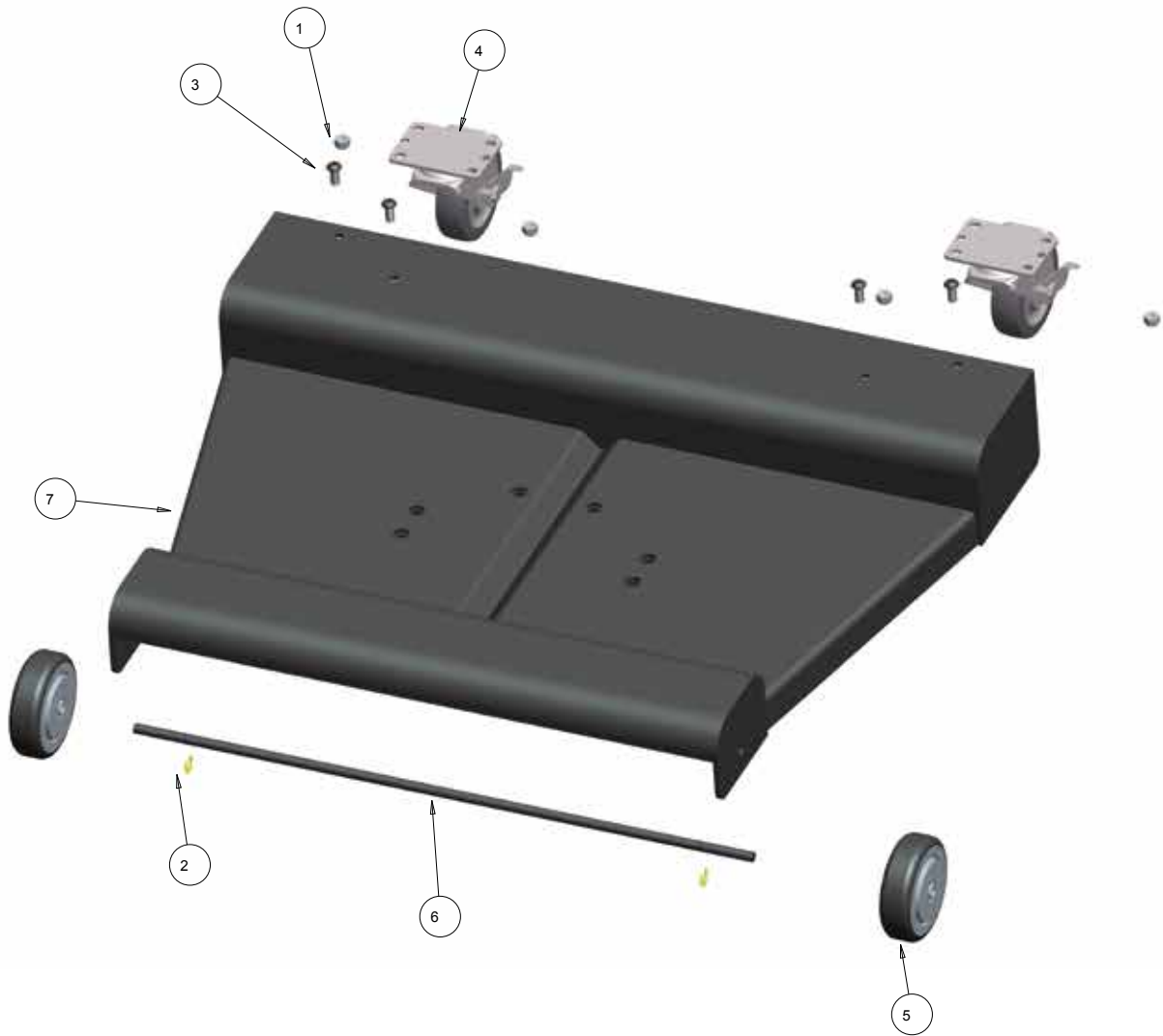
AUDIT BASE KIT - EAK0305J98A  
BASE ONLY (ITEMS 1-10) - EAA0395J01A



EAC0116J29A

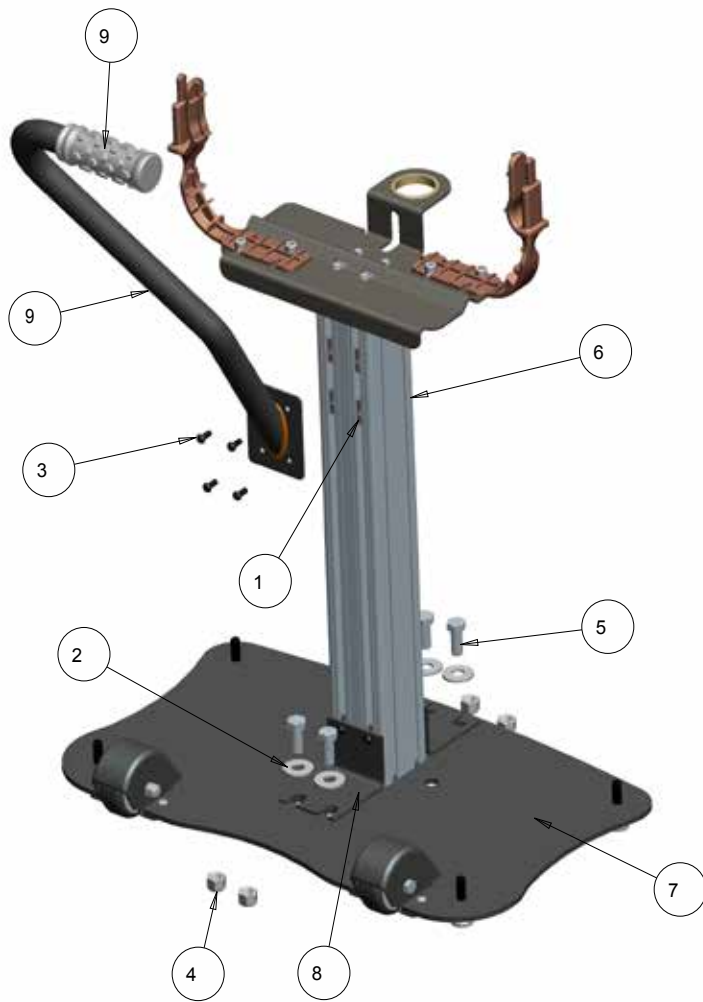
# KIOSK PORTABLE BASE

EAK0320J41A



# PORTABLE AC400 CLAMP STAND

EAK0320J40A



SYM	REQ	PART NO	DESCRIPTION
9	1	EAA0395J33A	HANDLE
	1	1-28184A	HANDLE GRIP

Note: Kit Audit Full Portability EAK0320J42A contains  
 1 EAK0320J40A  
 1 EAK0320J41A  
 1 EAK0305J98A



BLANK PAGE

Snap-on  
309 Exchange Ave.  
Conway, AR 72032  
501-450-1500

Notice: The information contained in this document is subject to change without notice. Snapon makes no warranty with regard to this material. Snapon shall not be liable for errors contained herein or for incidental consequential damages in connection with furnishings, performance, or use of this material.

This document contains proprietary information which is protected by copyright and patents. All rights are reserved. No part of this document may be photocopied, reproduced, or translated without prior written consent of Snapon.