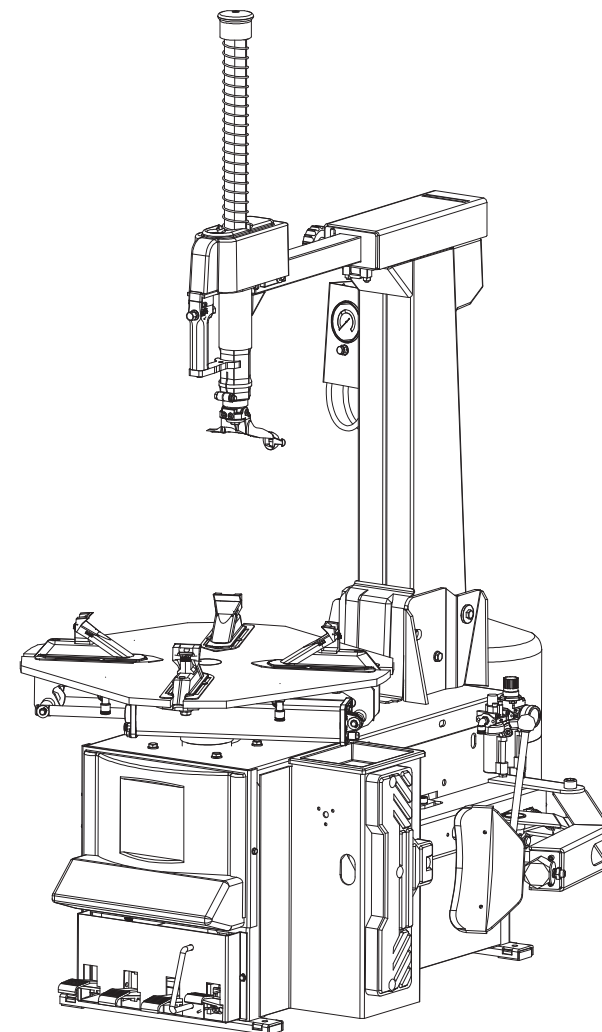
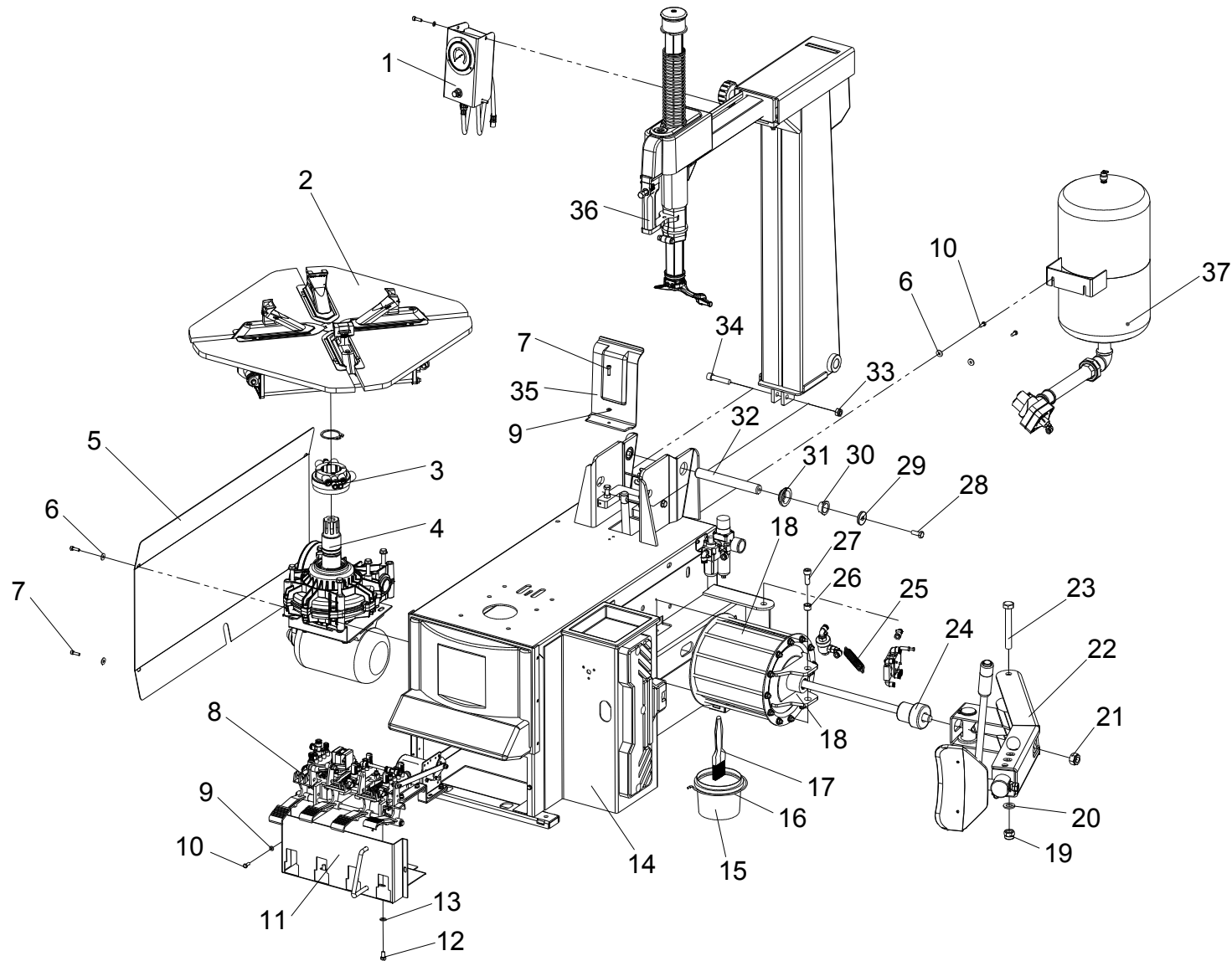


PART CATALOGUE
KC-404A PRO
TIRE CHANGER





TAV.0	TIRE CHANGER ASSEMBLY			ED. 03/17
-------	-----------------------	--	--	-----------

ITEM	PART NUMBER	DESCRIPTION	QTY	REMARK
1	YC2-2014217A	Pressure gauge	1	
2	104-4298802	Turntable	1	
3	YC2-4298992	104-2007000M Rotation union GT	1	
4	YC1-2011968	Motor – Reduction gear group	1	
5	C200000002	Side cover	1	
6	0205007	Washer D.6 - GB/T96	6	
7	0202033	Screw M6X20 - GB/T70.1	7	
8	YC2-2006514	Pedal control unit	1	
9	0205006	Washer D.6 - GB/T97.1	8	
10	0201013	Screw M6X16 - GB/T5783	4	
11	YC2-2412453	Pedal support	1	
12	0201026	Screw M8X16 - GB/T5783	3	
13	0205008	Washer D.8 - GB/T97.1	3	
14	C201000000M	Shell	1	
15	YC1-4299984	Grease cup	1	
16	YC1-3000069	Spring	1	
17	0511063	Grease brush	1	
18	C207010000A	Bead breaker cylinder	1	
19	0204008	Self-locking nut M16 - GB/T889.1	1	
20	0205020	Washer D.16	1	
21	0204009	Self-locking nut M18 - GB/T889.1	1	
22	C204000000B	Bead breaker arm assembly	1	
23	0201165	Screw M16X120 - GB/T5780	1	
24	YC1-3008991	Shock absorber	1	
25	C200000003	Arm spring	1	
26	YC1-3015573	Bush	1	
27	0202090	Screw M12X30 - GB/T70.1	1	

TAV.0	TIRE CHANGER ASSEMBLY			ED. 03/17
-------	-----------------------	--	--	-----------

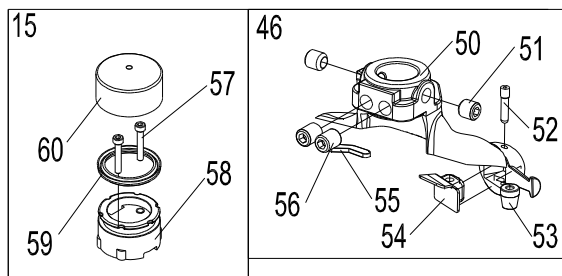
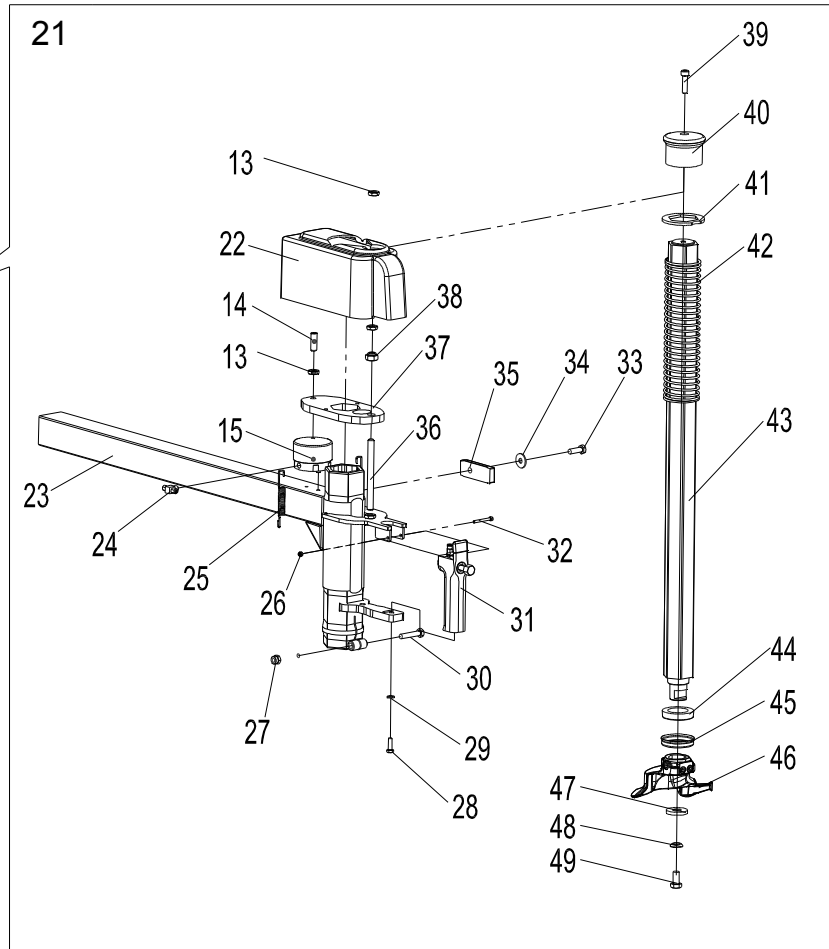
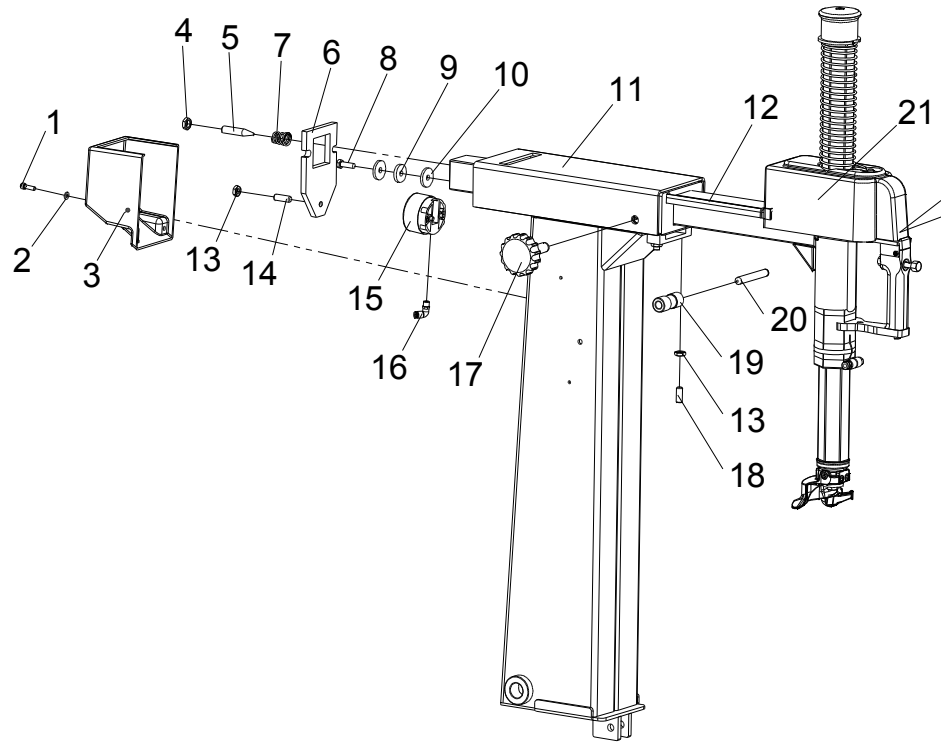
28	0201064	Screw M10X25 - GB/T5783	2	
29	YC2-3000495	Washer	2	
30	C33A000006	Conical bush	2	
31	C33A000005	Pin washer	2	
32	YC2-3000206	Pivot	1	
33	0204007	Nut M12 - GB/T889.1	1	
34	YC2-3000599	Pivot pin	1	
35	YC2-3012450	Protection	1	
36	C202000000	Horiz. And vert. Arms	1	
37	YC2-2012485	Air tank unit	1	Request

TAV.1.0	BODY	ED. 03/17
---------	------	-----------

ITEM	PART NUMBER	DESCRIPTION	QTY	REMARK
1	YC1-3011970	Plastic front panel	1	
2	YC1-3002099	Rubber foot	4	
3	C201010000	Shell	1	
4	0206048	Screw M6X16 - GB/T70.2	8	
5	YC1-3002102	Wheel support	1	
6	0202033	Screw M6X20 - GB/T70.1	5	
7	0205007	Washer D.6 - GB/T96	5	
8a	C00AQ52000	SMC lubricator + filter regulator	1	
8b	C00AQ53000	SMC lubricator + filter regulator(Quick union)	1	
9	0508252	Cable relief	1	
10	0506016	Power cable L=3500	4	
11	0201064	Screw M10X25 - GB/T5783	5	
12	0205011	Washer D.10 - GB/T97.1	4	
13	0203011	Nut M10 - GB/T6170	2	
14	0201049	Screw M10X30 - GB/T5783	1	
15	YC2-3012312	Spacer	2	
16	0201068	Screw M10X40 - GB/T5782	2	
17	0209010	Screw M6X10 - GB/T78	1	
18	203B-3018314	Cover	1	
19	0306035	90° quick union 4-1/8	1	
20	0306034	90° quick union 8-1/8	1	
21	YC2-2012486	GT valve control	1	
22	0306032	90° quick union 8-1/4	1	
23	0306196	Pressure regulator 3.5bar	1	
24	0306044	Quick union 8-1/4	1	
25	0306105	Safety valve 1/8" 4bar	1	
26	0204007	Self-locking nut M12 - GB/T889.1	2	

TAV.1.0	BODY		ED. 03/17
---------	------	--	-----------

27	YC2-2002831	Tilting cylinder	1
28	0202068	Screw M12X110 - GB/T70.1	1
29	0211004	Seeger D.30 - GB/T893.1	1
30	YC1-4398146	Washer	1
31	0606004	O-ring 20X2.75	1
32	0204025	Flange nut M8 - GB/T6177.1	4
33	YC1-3015024A	Front flange	1
34	0309039	O-ring 75X3.1	2
35	YC2-3008084	Cylinder liner	1
36	YC2-3002624	Piston rod	1
37	0606016	Scraper 20X30X7	1
38	0306036	90° quick union 6-1/8	1
39	0306095	Rilsan hose 6X4 L=1200	1
40	YC1-3015023A	Back flange	1
41	0204007	Self-locking nut M12	1
42	YC1-4198857	Washer	1
43	YC1-4198856	Piston	1
44	0205013	Washer D.12 - GB/T97.1	1
45	0306046	90° quick union 6-1/8	1
46	0306095	Rilsan hose 6X4 L=1100	1

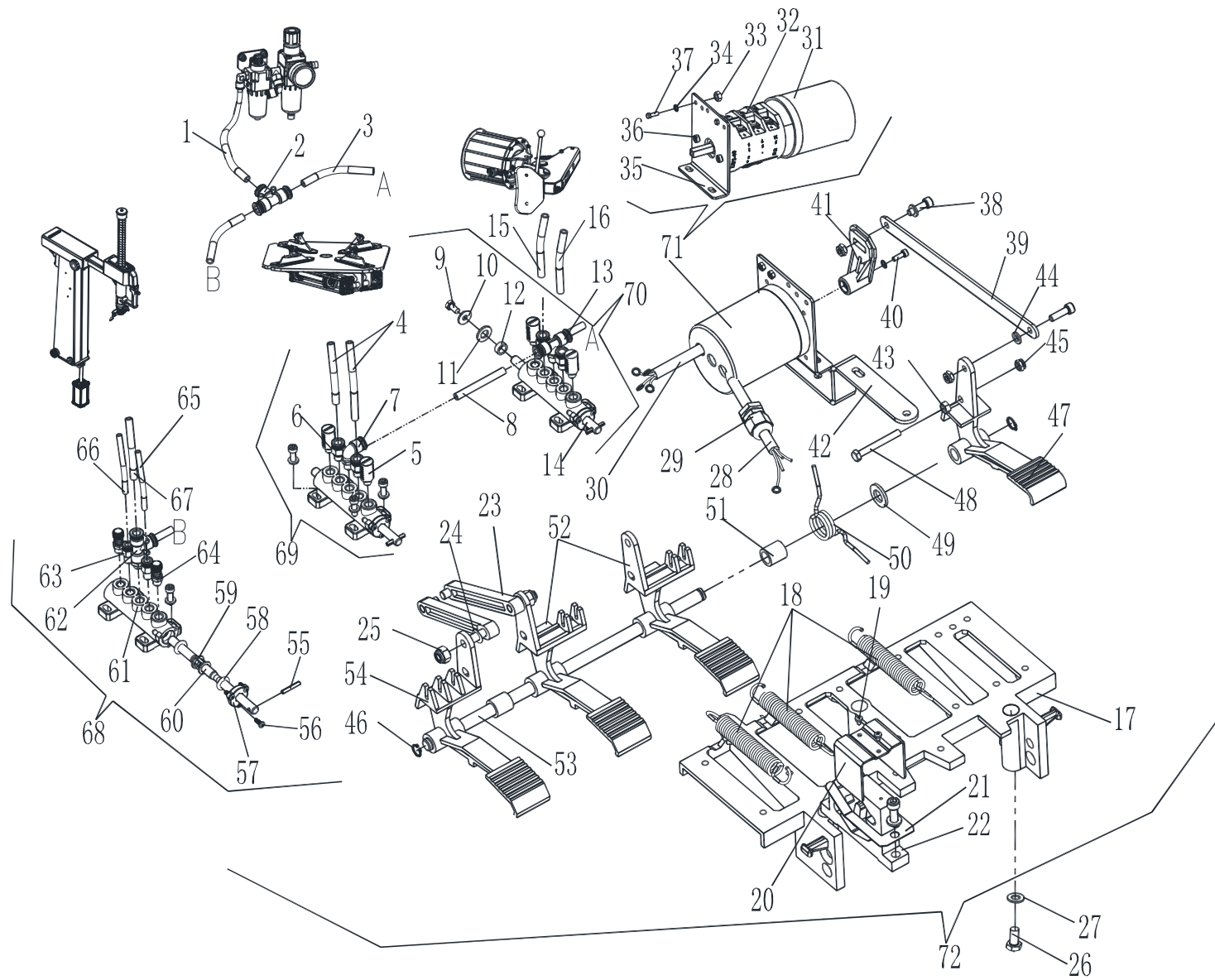


ITEM	PART NUMBER	DESCRIPTION	QTY	REMARK
1	0202033	Screw M6X20 - GB/T70.1	2	
2	0205006	Washer D.6 - GB/T97.1	2	
3	C200000005	Protection	1	
4	0204016	Nut M12 - GB/T6172.1	2	
5	0209021	Screw M12X60	2	
6	YC2-3015676	Arm locking plate	1	
7	YC2-3016043	Spring	2	
8	0201038	Screw M8X25 - GB/T5783	1	
9	YC2-300181	Washer	1	
10	YC2-4399947	Spacer	2	
11	C202010000	Vertical post	1	
12	C200000004	Guide	1	
13	0204012	Nut M10 - GB/T6172.1	6	
14	0209022	Screw M10X30 - GB/T77	2	
15	YC2-2099665	Locking cylinder	2	
16	0306035	90° quick union 4-1/8	1	
17	YC2-2011002	Hand wheel	1	
18	0209024	Screw M10X25 - GB/T77	2	
19	C33A200009	Peak roller	1	
20	C33A200005	Pin 12X80	1	
21	C203000000	Horizontal arm assembly	1	
22	YC2-3015860	Arm frame	1	
23	C203010000	Horizontal arm	1	
24	0306063	Tee rotation union 4-1/8	1	
25	YC2-3002273	Spring	2	
26	0204001	Locking nut M4 - GB/T889.1	1	
27	0204004	Nut M8 - GB/T889.1	1	

28	0201014	Screw M6X20 - GB/T5783	1
29	0205006	Washer D.6 - GB/T97.1	1
30	0201037	Screw M8X40 - GB/T5782	1
31	YC2-2008335	Arm control valve	1
32	0202013	Screw M4X35 - GB/T70.1	1
33	0201038	Screw M8X25 - GB/T5783	1
34	0205009	Washer D.8 - GB/T96	1
35	YC2-3007935	Limit block	1
36	0213043	Screw M10X120	1
37	C203000002	Arm locking plate	1
38	0204005	Nut M10 - GB/T889.1	1
39	0202049	Screw M8X30 - GB/T70.1	1
40	YC1-3001759	Arm knob	1
41	C203000004	Arm locking plate	1
42	C203000003	Spring	1
43	C203000001	Hexagonal arm	1
44	C203000005	Shock absorber	1
45	C203000006	Shock absorber protection	1
46	YC1-2002215	Mounting tool unit	1
47	YC1-4295804	Conical washer	1
48	YC1-4295805	Spherical washer	1
49	0201062	Screw M10X20 - GB/T5783	1
50	YC1-3007801	Mounting tool	1
51	0209020	Screw M12X12 - GB/T80	2
52	0215031	Shaft	1
53	YC1-3000215	Peak roll	1
54	YC1-3006689	Plastic insert	1

TAV.2.0	HORIZ. AND VERT. ARMS		ED. 03/17
---------	-----------------------	--	-----------

55	YC1-3013650	Plastic insert	1
56	0209015	Screw M12X16 - GB/T80	2
57	0202027	Screw M6X35 - GB/T70.1	2
58	YC2-4299523	Piston	1
59	YC2-4299522	Sealing ring 60X50X5	1
60	YC2-4299524	Cylinder liner	1



TAV.3.0

PEDAL BOX

ED. 03/17

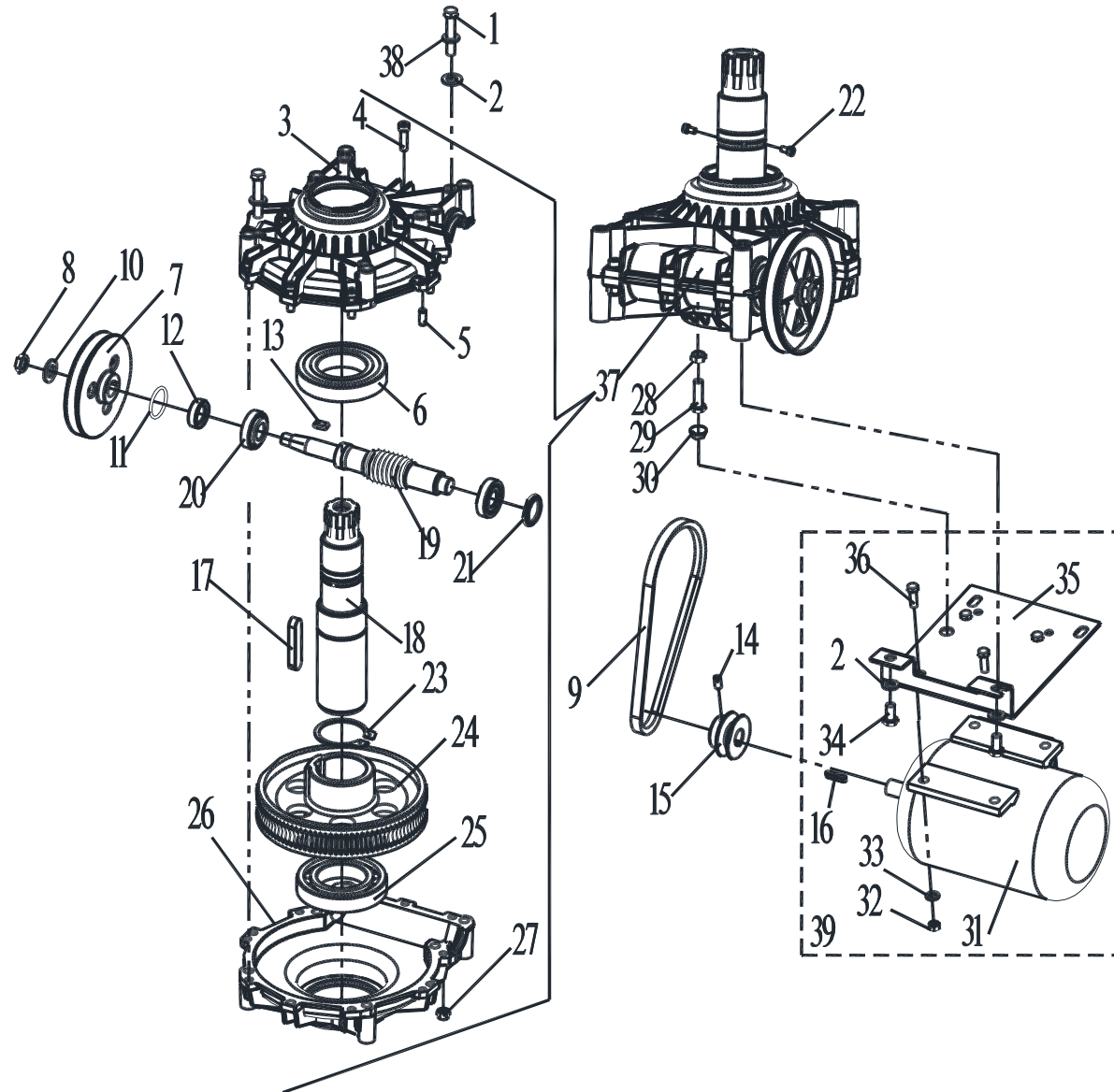
ITEM	PART NUMBER	DESCRIPTION	QTY	REMARK
1	0306097	Rilsan hose 8X5 L=1000	1	
2	0306022	Quick Tee union D.8	1	
3	0306097	Rilsan hose 8X5 L=270	2	
4	0306097	Rilsan hose 8X5 L=850	2	
5	0306059	Silencer 1/8	4	
6	0306045	Quick union 8-1/8	4	
7	0306033	90° quick union 8-R1/8	1	
8	0306097	Rilsan hose 8X5 L=70	1	
9	0201011	Screw M6X12 - GB/T5783	3	
10	0205007	Washer D.6 - GB/T96	1	
11	0205011	Washer D.10 - GB/T97.1	1	
12	YC1-4197629	Nylon washer	1	
13	0306023	Quick Tee union 8-1/8	1	
14	YC1-3007598	Valve pin 3	1	
15	0306097	Rilsan hose 8X5 L=700	1	
16	0306097	Rilsan hose 8X5 L=800	1	
17	YC1-3002161	Pedal box base	1	
18	YC1-3013333	Pedal return spring	3	
19	0207034	Self-tapping screw ST2.9X6.5 - GB/T845	2	
20	YC1-3099910	Connection rod guide	1	
21	YC2-4299910	Forked leaf spring	1	
22	YC1-4299913	Double cam	1	
23	YC1-4299912	Connection rod	2	
24	0215019	Washer D.8 - GB/T860	2	
25	0204004	Nut M8 - GB/T889.1	2	
26	0201026	Screw M8X16 - GB/T5783	3	
27	0205008	Washer D.8 - GB/T97.1	3	

TAV.3.0	PEDAL BOX		ED. 03/17
---------	-----------	--	-----------

28	0506016	Power cable L=3500	1
29	0507115	Cable relief	1
30	0506016	Motor cable L=1500	1
31	YC1-3015344	Reverser cover	1
32	0505009	Reverser 40A	1
33	0203002	Nut M4 - GB52	2
34	0211016	Washer D.4 - GB/T862.2	2
35	YC1-3015340	Reverser support	1
36	0202021	Screw M5X20 - GB/T70.1	2
37	0201004	Screw M4X12 - GB/T5781	2
38	0202033	Screw M6X20 - GB/T70.1	12
39	YC1-3015341	Connection rod	1
40	0202004	Screw M4X12 - GB/T70.1	1
41	YC1-3000175	Reverser lever	1
42	YC1-3015342	Support	1
43	0203004	Nut M6 - GB52	3
44	0205006	Washer D.6 - GB/T97.1	12
45	0204003	Nut M6 - GB/T889.1	3
46	0212001	Seeger D.12 - GB/T894.1	2
47	YC1-3002157	Pedal A	1
48	0201016	Screw M6X50 - GB/T5782	1
49	0205013	Washer D.12 - GB/T97.1	1
50	C00A000001	Pedal control spring	1
51	YC1-3007953	Bush	2
52	YC1-3002159	Pedal B	2
53	YC2-3003095	Pedal alignment pin	1
54	YC2-3002160	Pedal C	1

TAV.3.0	PEDAL BOX		ED. 03/17
---------	-----------	--	-----------

55	0213003	Elastic pin 4X25 - GB/T879.1	3
56	0207032	Self-tapping screw ST3.5X13 - GB/T845	9
57	YC1-3001585	Valve flange	3
58	YC1-4299000	O-ring 17X4	18
59	YC1-3001584	Valve spacer	15
60	YC1-3002442	Valve pin 1	2
61	YC1-3001583	Valve body	3
62	0306021	Quick Tee union 8-1/8	1
63	0306046	Quick union 6-1/8	2
64	0306013	Silencer outlet adjuster 1/8	2
65	0306095	Rilsan hose 6X4 L=1200	1
66	0306095	Rilsan hose 6X4 L=1000	1
67	0306097	Rilsan hose 8X5 L=1200	1
68	YC2-2002531	Tilting control valve unit	1
69	YC1-2002529	Turntable valve unit	1
70	YC1-2006297	Bead breaking valve unit	1
71	YC1-2002002	Reverser assembly	1
72	YC2-2006514	Pedal control unit	1



ITEM	PART NUMBER	DESCRIPTION	QTY	REMARK
1	0201069	Screw M10X55 - GB/T5780	6	
2	0205011	Washer D.10 - GB/T97.1	8	
3	YC1-3010872	Top gear box	1	
4	0202049	Screw M8X30 - GB/T70.1	10	
5	0213011	Elastic pin 8X20- GB/T119.1	2	
6	0214006	Bearing 6212-2RS - GB/T276	1	
7	YC1-3199596	Gear box pulley	1	
8	0204013	Nut M14 - GB/T6172.1	1	
9	0511052	V belt A580	1	
10	0205017	Washer D.14 - GB/T97.1	1	
11	0606005	O-ring 34.5X3.55 - GB/T3452.1	1	
12	YC1-4296942	Seal	1	
13	0213028	Tab 6X18 - GB/T1096	1	
14	0209009	Screw M8X16 - GB/T80	1	
15	YC1-3000166	Motor pulley	1	
16	202W-ZYDJPJ	Tab 6X30 - GB/T1096	1	
17	0213027	Tab 16X70 - GB/T1096	1	
18	YC1-3010885	Helical gear stud	1	
19	YC1-3010883	Worm	1	
20	0214007	Bearing 30204 - GB/T297	2	
21	YC1-3010886	Seal cap	1	
22	0202030	Screw M6X10 - GB/T70.1	2	
23	0212010	Seeger D.60 - GB/T894.1	1	
24	YC1-3015537	Helical gear	1	
25	0214005	Bearing 6212 - GB/T276	1	
26	YC1-3010873	Bottom gear box	1	
27	0204004	Nut M8 - GB/T889.1	10	

TAV.4.0	MOTOR – REDUCTION GEAR GROUP	ED. 03/17
---------	------------------------------	-----------

28	0203009	Nut M10 - GB52	1
29	0201050	Screw M10X35 - GB/T5783	1
30	YC1-3000164	Spherical washer	1
31a	0509097	Motor 110V/60Hz/1ph 1.1KW	1
31b	0509016	Motor 220V/50Hz/1ph 0.75KW	1
31c	0509062	Motor 220V/60HZ/3ph 0.8/1.1KW	1
31d	0509088	Motor 220V/50HZ/3ph 0.8/1.1KW	1
31e	0509065	Motor 230V/50Hz/1ph 0.75KW	1
31f	0509146	Motor 230V/50HZ/3ph 0.8/1.1KW	1
31g	0509017	Motor 380V/50HZ/3ph 0.8/1.1KW	1
31h	0509090	Motor 380V/60HZ/3ph 0.8/1.1KW	1
31i	0509050	Motor 400V/50HZ/3ph 0.8/1.1KW	1
31j	0509054	Motor 220/380V/50HZ/3ph 0.55KW	1
31k	0509066	Motor 220/380V/60HZ/3ph 0.55KW	1
31l	0509053	Motor 230/400V/50HZ/3ph 0.55KW	1
32	0203029	Nut M8 - GB/T6170	4
33	0205008	Washer D.8 - GB/T97.1	4
34	0201062	Screw M10X20 - GB/T5783	2
35	YC1-3000149A	Motor support	1
36	0201038	Screw M8X25 - GB/T5783	4
37	YC1-2011967	Reduction gear unit	1
38	0208007	Washer D.10 - GB/T93	6
39	YC1-2002001	Motor unit	1

TAV.5.0

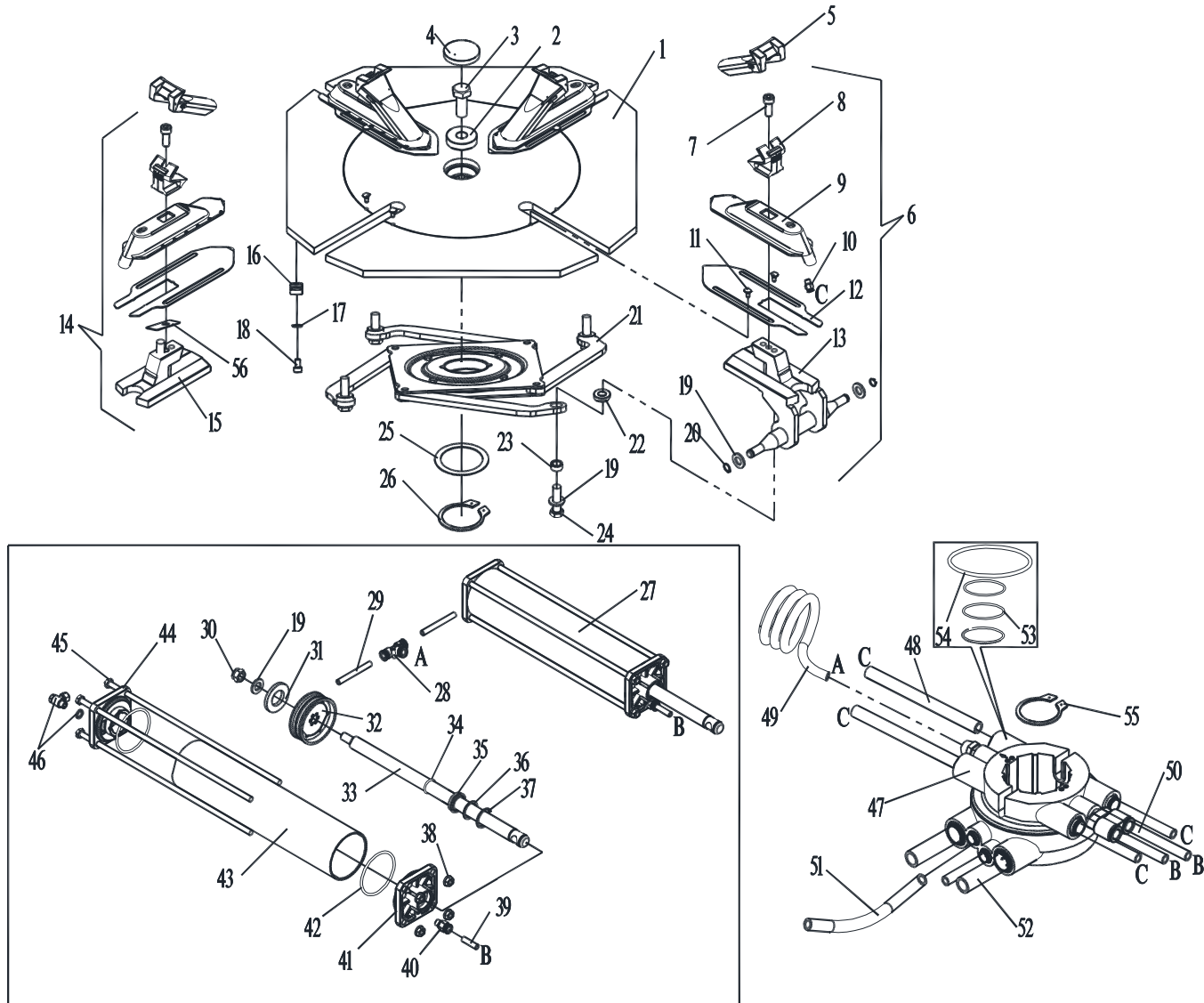
BEAD BREAKER

ED. 03/17

ITEM	PART NUMBER	DESCRIPTION	QTY	REMARK
1	C207010000	Bead breaker cylinder	1	
2	YC1-3013240	Protection cover	1	
3	C204030000	Bead breaker plate – dual controls	1	
4	YC2-3010293	Pivot	1	
5	0208013	Washer 14	4	
6	0204006	Self-locking nut M14	2	
7	0209076	Screw M10X35	2	
8	C02AQ00000	Control knob - dual controls	1	
9	0209058	Screw M4X4	1	
10	0209068	Screw M10X15	1	
11	0205016	Washer 14	1	
12	C204010000A	Bead breaker arm A – dual controls	1	
13	C204000004	Pivot pin	1	
14	0212008	Seeger D.40 - GB/T894.1	2	
15	C204040000	Bead breaking control valve unit	1	
16	0306152	Quick union D.8	1	
17	0306015	Plug D.8	1	
18	0306026	Quick union D.8-D.4	1	
19	0306149	Rilsan hose 4X2.5 L=1600	1	
20	0306149	Rilsan hose 4X2.5 L=1200	1	
21	0211004	Seeger D.30	1	
22	YC1-4398146	Washer	1	
23	0606016	Scraper 20X30X7	1	
24	0305041	Guiding ring 67X9.5X2 - GB/T15242.2	2	
25	0606004	O-ring 20X2.75	1	
26	C207010003	Piston rod	1	
27	0309084	O-ring16X2.65 - GB3452.1	1	

TAV.5.0	BEAD BREAKER		ED. 03/17
---------	--------------	--	-----------

28	C207010001	Guiding ring	1
29	C207010004	Seal188X200X12	2
30	C207010008	Seal support ring	2
31	C207010002	Piston	1
32	0203022	Nut M18X1.5 - GB/T6171	1
33	0201032	Screw M8X255 - GB/T5782	12
34	0306032	90° quick union 8-1/4	2
35	C207010007	Back flange	1
36	C207010006	Cylinder liner	1
37	0309104	O-ring 195X3.55	2
38	C207010100	Front flange	1
39	C02AQ00100	Quick relief valve unit	1
40	0306097	Rilsan hose 8X5 L=50	1
41	0204025	Nut M8 - GB/T6177.1	12
42	0306097	Rilsan hose 8X5 L=550	1
43	0306097	Rilsan hose 8X5 L=700	1
44	0306097	Rilsan hose 8X5 L=400	1
45	0306097	Rilsan hose 8X5 L=950	1
46	0306097	Rilsan hose 8X5 L=70	1
47	0306149	Rilsan hose 4X2.5 L=1700	1



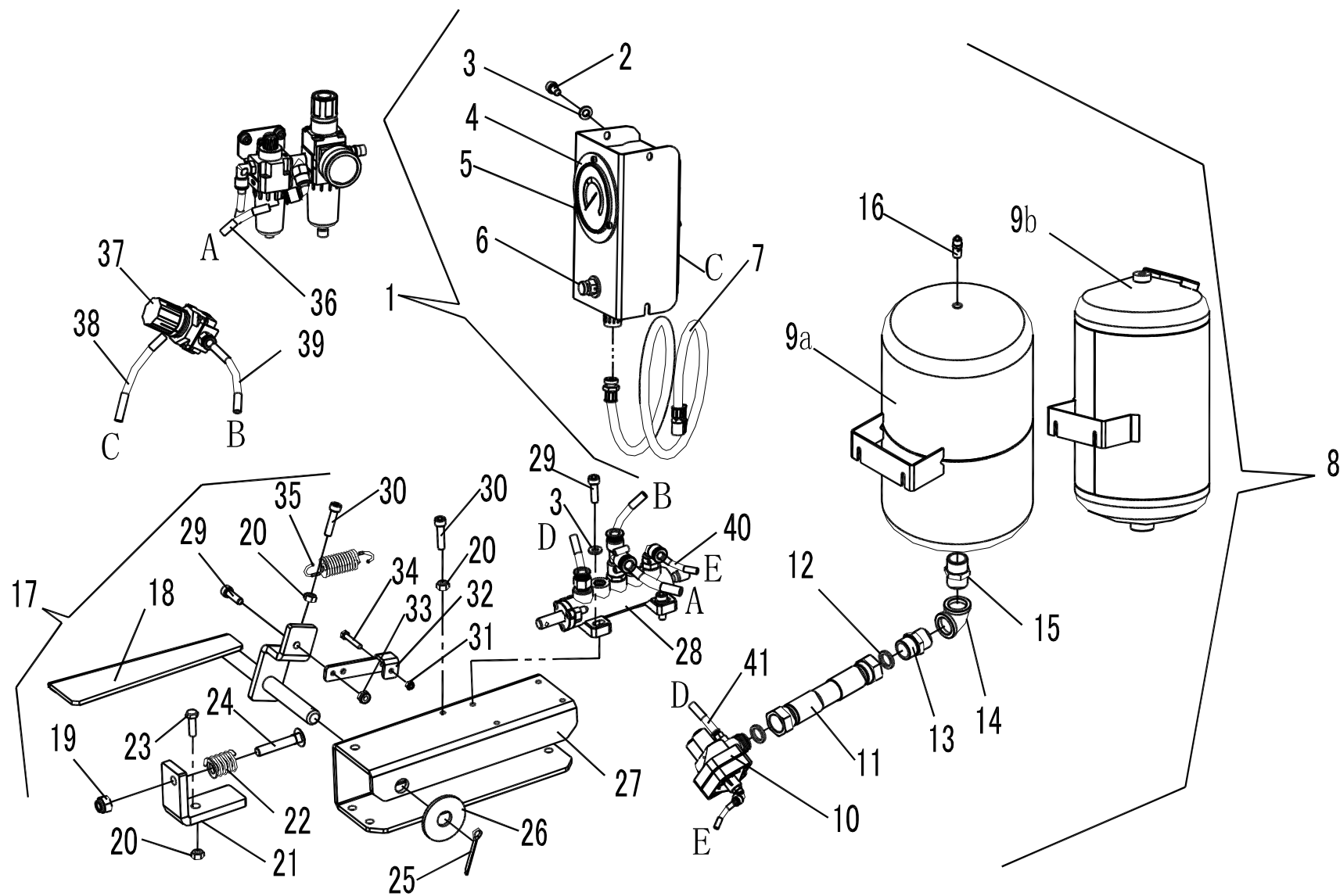
TAV.6.0	SELF-CENTERING TURNTABLE GT	ED. 03/17
---------	-----------------------------	-----------

ITEM	PART NUMBER	DESCRIPTION	QTY	REMARK
1	104-3019250-A	Turntable	1	
2	YC1-3009778	Washer	1	
3	0201100	Screw M16X1.5X40 - GB/T5786	1	
4	YC1-3000062	Turntable cap	1	
5	YC1-3001468	Clamp cover	4	
6	104-2007003	Clamp assembly	2	
7	0202061 0202055	Screw M10X25 - GB/T70.1	4	
8	YC1-3002297	Oversize clamp	4	
9	YC2-2407387	Slide	4	
10	0306042	Quick union 10-1/4	4	
11	YC1-3015187	Rivet	8	
12	YC1-3015169 104-3015171-B	Turntable plate	4	
13	YC1-2415756	Slide guide	2	
14	104-2007002	Slide guide	2	
15	YC1-2412860	Slide guide	2	
16	C00A000016	Clip	4	
17	0205006	Washer D.6 - GB/T97.1	4	
18	0202030	Screw M6X10 - GB/T70.1	4	
19	0205013	Washer D.12 - GB/T97.1	10	
20	0212001	Seeger D.12 - GB/T894.1	4	
21	104-2007001	Turntable flange	1	
22	YC1-3006879	Spacer	4	
23	YC1-3006880	Connection rod spacer	4	
24	0201072	Screw M12X1.25X45 - GB/T5786	4	
25	YC1-3006869-A	Connection rod spacer	1	
26	0212011	Seeger D.65	1	
27	YCP-2008857	Turntable cylinder	2	

28	0306022	Quick T union D.8	1
29	0306097	Rilsan hose 8X5 L=70	2
30	0204007	Nut M12 - GB/T889.1	2
31	YC1-4198857	Washer	2
32	YC1-4198856	Piston	2
33	YCP-3008859	Piston rod	2
34	0606004	O-ring 20X2.75 - GB/T3452.1	2
35	0606016	Scraper 20X30X7	2
36	YC1-4398146	Washer	2
37	0211004	Seeger D.30 - GB/T893.1	2
38	0204025	Nut M8 - GB/T6177.1	8
39	0306097	Rilsan hose 8X5 L=350	2
40	0306045	Quick union 8-1/8	2
41	YC1-3015024A	Front flange	2
42	0606007	O-ring 75X3.55 - GB/T3452.1	4
43	YCP-3008858	Cylinder liner	2
44	YC1-3015023A	Back flange	2
45	0201035	Screw M8X431	8
46	0306016	Union 8-1/8	2
46	0306016-1	Nylon washer	2
47	YC2-4298992	Rotation union GT	1
48	0306094	Rilsan hose 10X6.5 L=4200	4
49	0306157	Rilsan spiral hose 8X5.5 L=625	2
50	0306097	Rilsan hose 8X5 L=270	2
51	0306097	Rilsan hose 8X5 L=850	2
52	0306018	Rilsan hose 14X10 L=1000	3
53	0309065	O-ring 63X2.65 - GB/T3452.1	1
54	0309067	O-ring 90X1.8 - GB/T3452.1	1

TAV.6.0	SELF-CENTERING TURNTABLE GT	ED. 03/17
---------	-----------------------------	-----------

55	0212009	Seeger D.50 - GB/T894.1	1
56	0306022	Steel shim	4

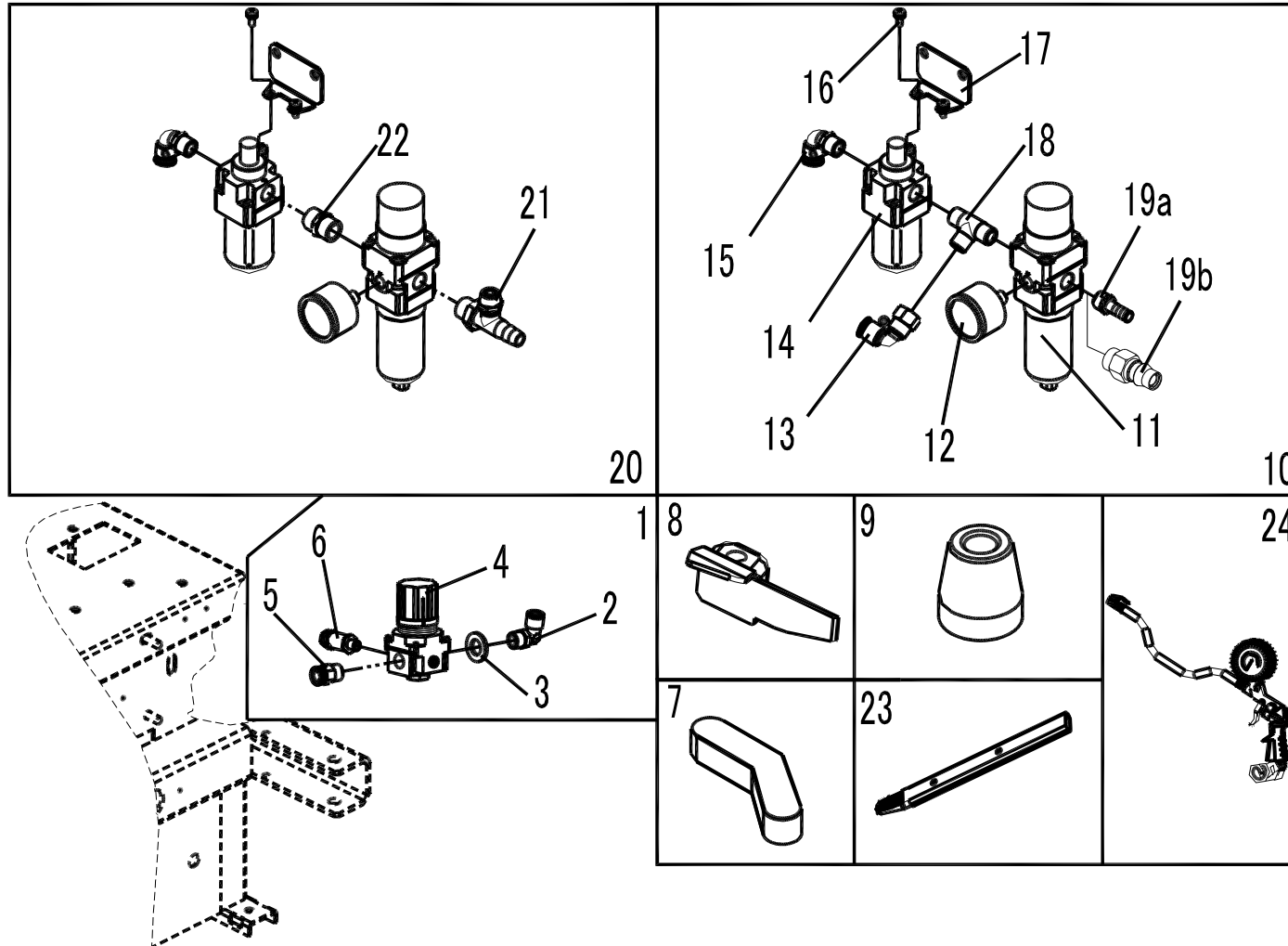


TAV.7.0	GT INFLATING DEVICE	ED. 03/17
---------	---------------------	-----------

ITEM	PART NUMBER	DESCRIPTION	QTY	REMARK
1	YC2-2014217A	GT pneumatic unit	1	
2	0202030	Screw M6X10 - GB/T70.1	2	
3	0205006	Washer D.6 - GB/T97.1	6	
4	0305058	Pressure gauge	1	
5	0202008	Screw M4X8 - GB/T70.1	5	
6	YC2-4299354	Relief valve	1	
7	0306110	GT control unit hose 1/4 L=1500	1	
8	C22A070000	Air tank unit	1	
9a	YC2-2402899	Air tank	1	
9b	YC2-2402899A	Air tank CE	1	
10	YC2-4198531	Pneumatic valve	1	
11	0306340	Rilsan hose	1	
12	C04A301013	Seal	2	
13	0306343	Rotation union 1"	1	
14	0511076	Elbow union 1"	1	
15	0511133	Union 1"	1	
16	0306004	Safety valve 1/4 10bar	1	
17	YC2-2012486	GT valve control	1	
18	YC2-2410288	GT pedal	1	
19	0204004	Nut M8 - GB/T889.1	1	
20	0203004	Nut M6 - GB52	3	
21	YC2-3008005	Limit stop screw support	1	
22	YC2-4298942	Spring	1	
23	0201014	Screw M6X20 - GB/T5783	1	
24	0201170	Screw M8X45 - GB/T794	1	
25	0213020	Pin 3X30	1	
26	0205016	Washer 14	1	

TAV.7.0	GT INFLATING DEVICE	ED. 03/17
---------	---------------------	-----------

27	YC2-3010287	Valve unit support	1
28	YC2-2009718	GT valve unit	1
29	0202033	Screw M6X20 - GB/T70.1	5
30	0202034	Screw M6X25 - GB/T70.1	2
31	0204001	Locking nut M4 - GB/T889.1	1
32	YC2-3001853	Valve control lever	1
33	0204003	Self-locking nut M6 - GB/T889.1	2
34	0201002	Screw M4X25	1
35	YC2-3000141	Spring	1
36	0306097	Rilsan hose 8X5 L=1000	1
37	C00AQ58000	Safety valve unit 3.5bar	1
38	0306097	Rilsan hose 8X5 L=850	1
39	0306097	Rilsan hose 8X5 L=400	1
40	0306095	Rilsan hose 6X4 L=400	2
41	0306097	Rilsan hose 8X5 L=500	1



TAV.8.0

INFLATOR+LUBRICATION GROUP

ED. 03/17

ITEM	PART NO.	DESCRIPTION	QTY	REMARK
1	C00AQ58000	Safety valve unit 3.5bar	1	
2	0306037	90° quick union 8-1/4	1	
3	0205013	Washer D.12 - GB/T97.1	1	
4	0306327	Pressure regulator	1	
5	0306044	Quick union 8-1/4	1	
6	0306106	Pressure relief valve 1/8 5.5bar	1	
7	YC1-3013650	Plastic insert	5	
8	YC1-3006689	Plastic insert	5	
9	0215032	Peak roller	1	
10a	C00AQ52000	SMC lubricator + filter regulator	1	
10b	C00AQ53000	SMC lubricator + filter regulator(Quick union)	1	
11	0306278	AW20-F02C-2R-A filter	1	
12	0306052	Pressure gauge C1-G36-10-01	1	
13	0306039	90° quick union 8-1/4	1	
14	0306187 0306284	AL20-F02-CR-A lubricator	1	
15	0306032	90° quick union 8-1/4	1	
16	0206059	Screw M4X8	2	
17	C00AQ51001	Support	1	
18	0306077	G1/4	1	
19a	0306008	Union 8-1/4	1	
19b	0306112	Quick union 1/4	1	
20	C00AQ51000	SMC lubricator + filter regulator	1	
21	0306007	Tee union 8-1/4	1	
22	0306073	Union 1/4	1	
23	C00A000017	Bead lifting lever cover	1	
24	YC1-2001000	Inflating gun	1	