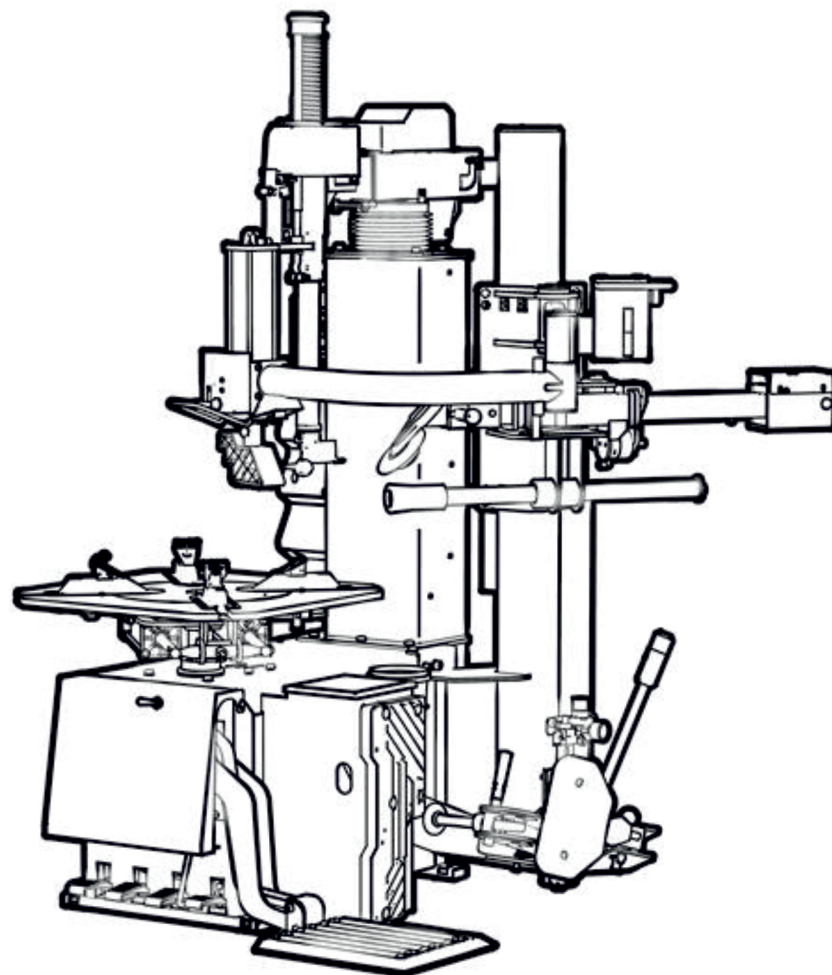
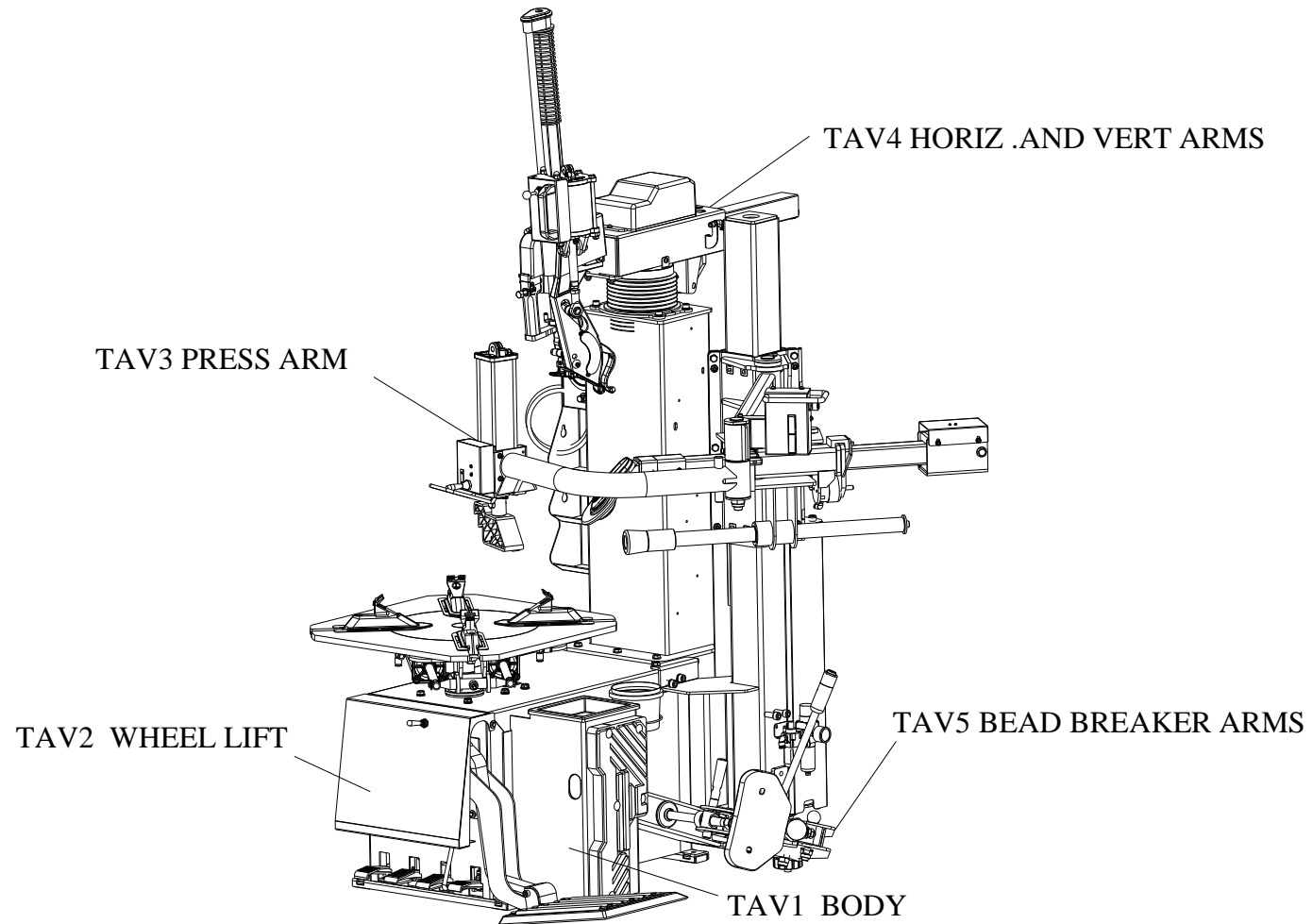


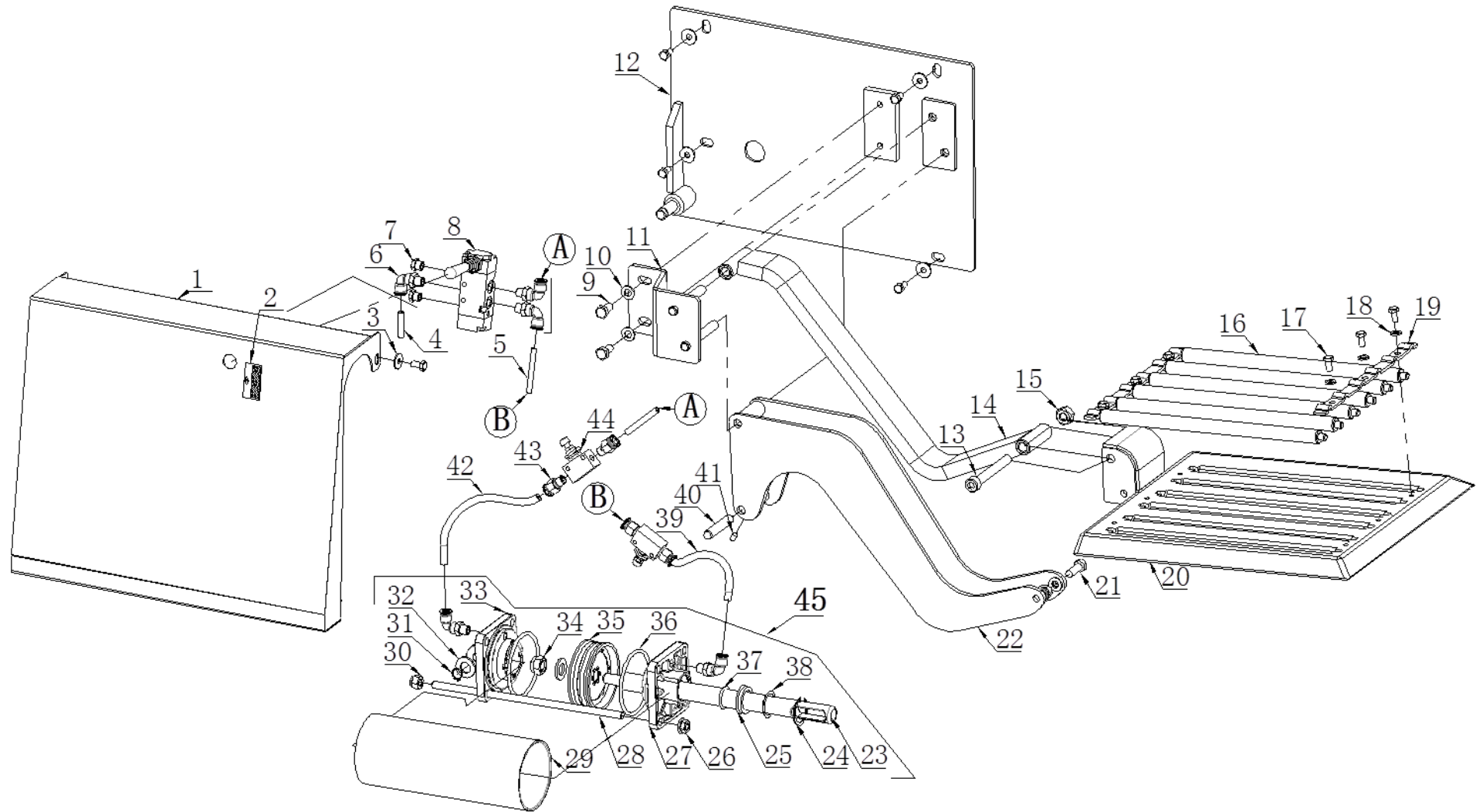
**PART CATALOGUE**

**КС-508А Про**

**TIRE CHANGER**





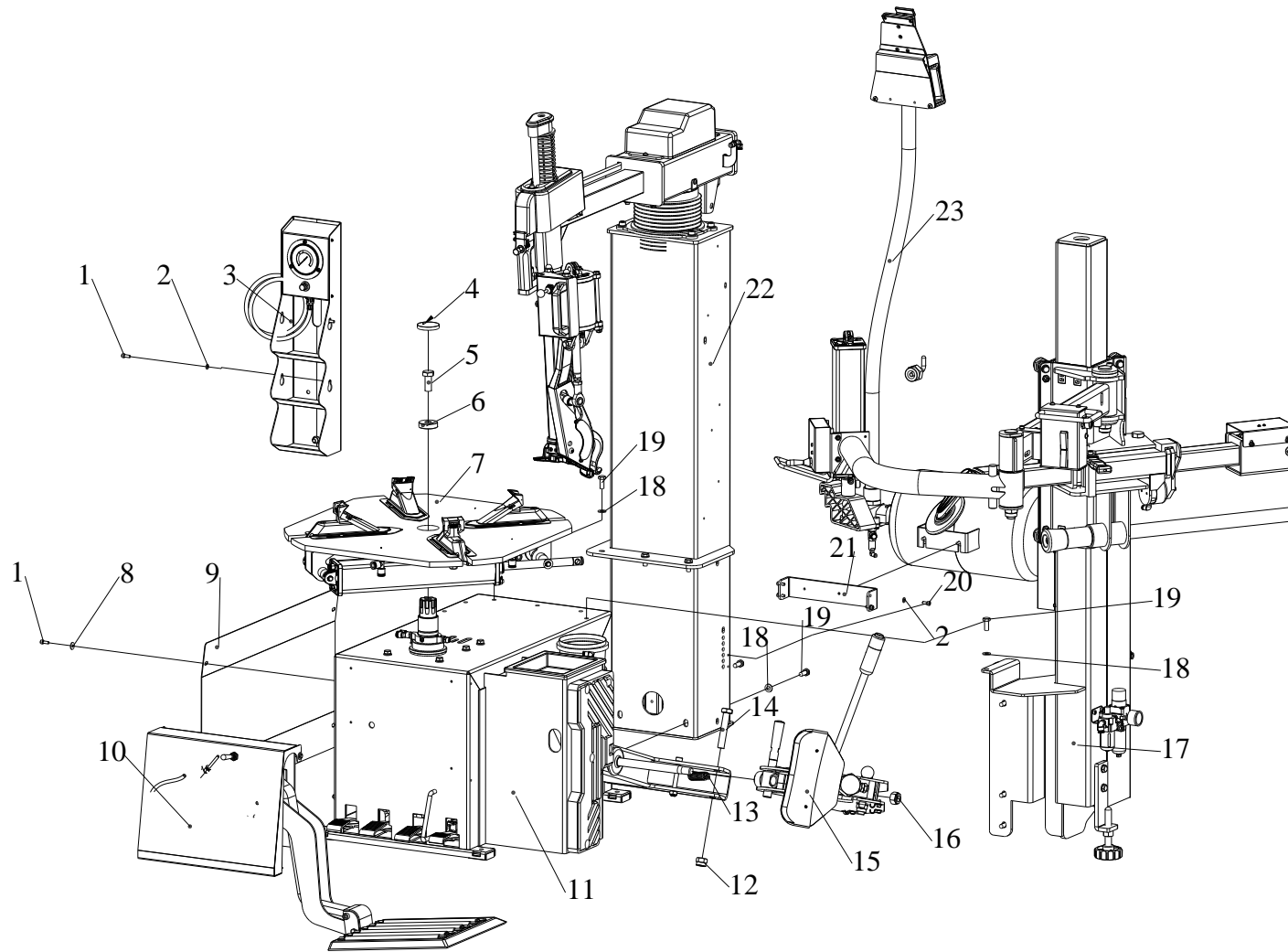


TAV.2.0	WHEEL LIFT	ED. 09/2018
---------	------------	-------------

ITEM	PART NUMBER	DESCRIPTION	QTY	REMARK
1	YCW-2412869	Front panel	1	
2	0510420	Decal	1	
3	0205007	Washer D.6 - GB/T96	7	
4	0306095	Rilsan hose 6X4 L=1000	1	
5	0306095	Rilsan hose 6X4 L=150	2	
6	0306036	90° quick union 6-1/8	5	
7	0306087	Silencer 1/8	2	
8	0307029	5-way valve	1	
9	0201026	Screw M8X16 - GB/T5783	2	
10	0205008	Washer D.8 - GB/T97.1	4	
11	YCW-2415185	Pin plate	1	
12	YCW-2415182	Support	1	
13	0202058	Screw M10X80 - GB/T70.1	1	
14	YCW-2413167	Connection rod	1	
15	0204005	Nut M10 - GB/T889.1	1	
16	YCW-3006284	Roller	6	
17	0201011	Screw M6X12 - GB/T5783	13	
18	0205006	Washer D.6 - GB/T97.1	6	
19	YCW-3006285	Locking plate	2	
20	YCW-2413166	Wheel lift platform	1	
21	0201038	Screw M8X25 - GB/T5783	2	
22	YCW-2413164	Lever	1	
23	YCW-3007214	Piston rod	1	
24	0211004	Seeger D.30 - GB/T893.1	1	
25	0606016	Scraper 20X30X7	1	
26	0204025	Nut M8 - GB/T6177.1	4	
27	YC1-3015024	Front flange	1	

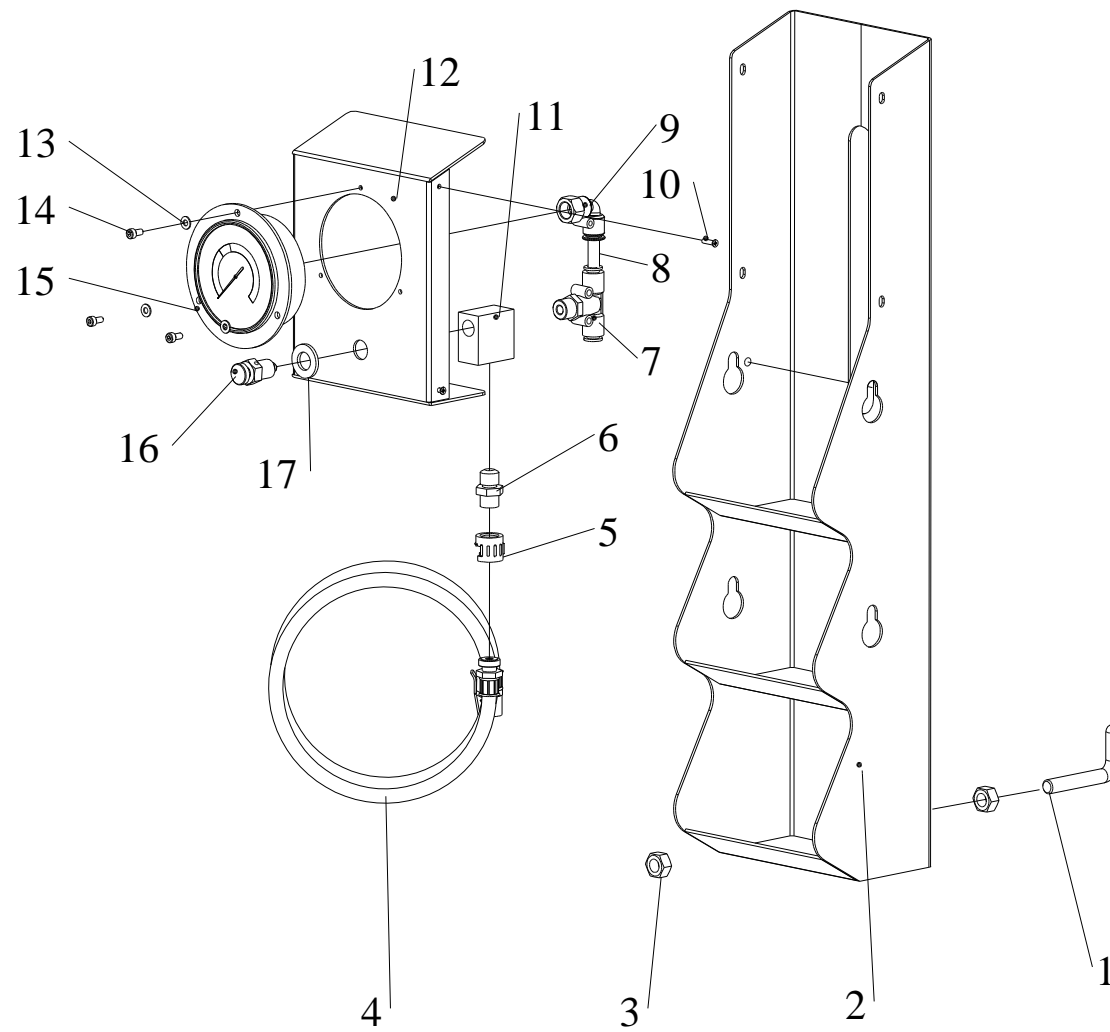
TAV.2.0	WHEEL LIFT	ED. 09/2018
---------	------------	-------------

ITEM	PART NUMBER	DESCRIPTION	QTY	REMARK
28	YCW-3008331	Special screw	4	
29	YCW-3008330	Cylinder liner	1	
30	0204004	Nut M8 - GB/T889.1	6	
31	0212001	Seeger D.12 - GB/T894.1	1	
32	0205013	Washer D.12 - GB/T97.1	2	
33	YC1-3015023	Back flange	1	
34	0204007	Nut M12 - GB/T889.1	1	
35	YC1-4198856	Piston	1	
36	0606007	O-ring 75X3.55 - GB/T1235	2	
37	0606004	O-ring 20X2.75 - GB/T3452.1	1	
38	YC1-4398146	Washer	1	
39	0306095	Rilsan hose 6X4 L=200	1	
40	0213079	Elastic pin10X55 - GB/T119.1	1	
41	0209010	Screw M6X10 - GB/T78	1	
42	0306095	Rilsan hose 6X4 L=250	1	
43	0306045	Quick union 8-1/8	4	
44	0507023	Flow regulator	2	
45	YCW-2008329	Cylinder	1	



TAV.4.0	HORIZ .AND VERT ARMS	ED. 09/2018
---------	----------------------	-------------

ITEM	PART NUMBER	DESCRIPTION	QTY	REMARK
1	02020032	Screw M6X16 - GB/T70.1	6	
2	02050006	Washer D.6 - GB/T97.1	6	
3	C34B700000	Tool box	1	
4	YC1-3000062	Turntable cap	1	
5	02010100	Screw M16 X1.5X40- GB/T5786	1	
6	YC1-3009778	Washer	1	
7	104-2007000M	Turntable	1	
8	02050007	Washer D.6 - GB/T96	4	
9	C34B100001	Side cover	1	
10	C34B900000	Wheel lift	1	
11	C34B100000	Shell	1	
12	02040008	Nut M.16 - GB/T899.1	1	
13	YC1-3000114A	spring	1	
14	02010099	Screw M16X90 - GB/T5782	1	
15	C34B400000	Bead breaker arm assembly	1	
16	02040009	Nut M.18 - GB/T899.1	1	
17	C34B300000	Right press arm	1	
18	02050011	Washer D.10- GB/T97.1	10	
19	02010064	Screw M10X25- GB/T5783	10	
20	02020025	Screw M6X14 - GB/T70.1	4	
21	C34A000003	Air tank bracket	1	
22	C34B200000	Post	1	
23	C34B840000	Fast air inflation	1	





TAV.4.1	Tool box	ED. 09/2018
---------	----------	-------------

ITEM	PART NUMBER	DESCRIPTION	QTY	REMARK
1	C33P300008	Hook	1	
2	C24W700100	Tool box	1	
3	02030011	Nut M.10 - GB/T6170	2	
4	0306110	GT control unit hose 1/4 L=1500	1	
5	0306017	Nut G1/4	1	
6	0306156	Union G1/4	1	
7	0306019	T Union $\Phi$ 8 G1/4	1	
8	0306096	Rilsan hose 8X5 L=70 (black)	1	
9	0306039	Union $\Phi$ 8 G1/4	1	
10	02070065	Screw M4X8 - GB/T819.1	4	
11	YC2-3015111A	Valve block	1	
12	C24W700001	cover	1	
13	02050002	Washer D.4- GB/T97.1	3	
14	02020008	Screw M4X8 - GB/T70.1	3	
15	YJD-A-06	Pressure gauge	1	
16	YC2-4299354	Relief valve	1	
17	02050013	Washer D.12- GB/T97.1	1	