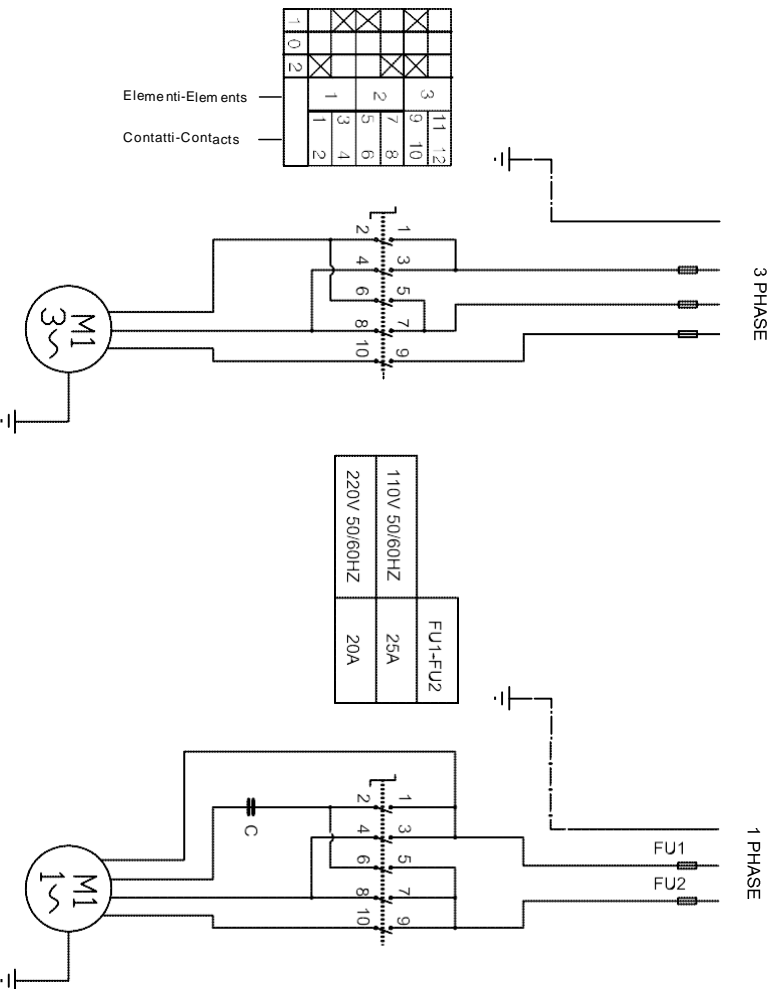
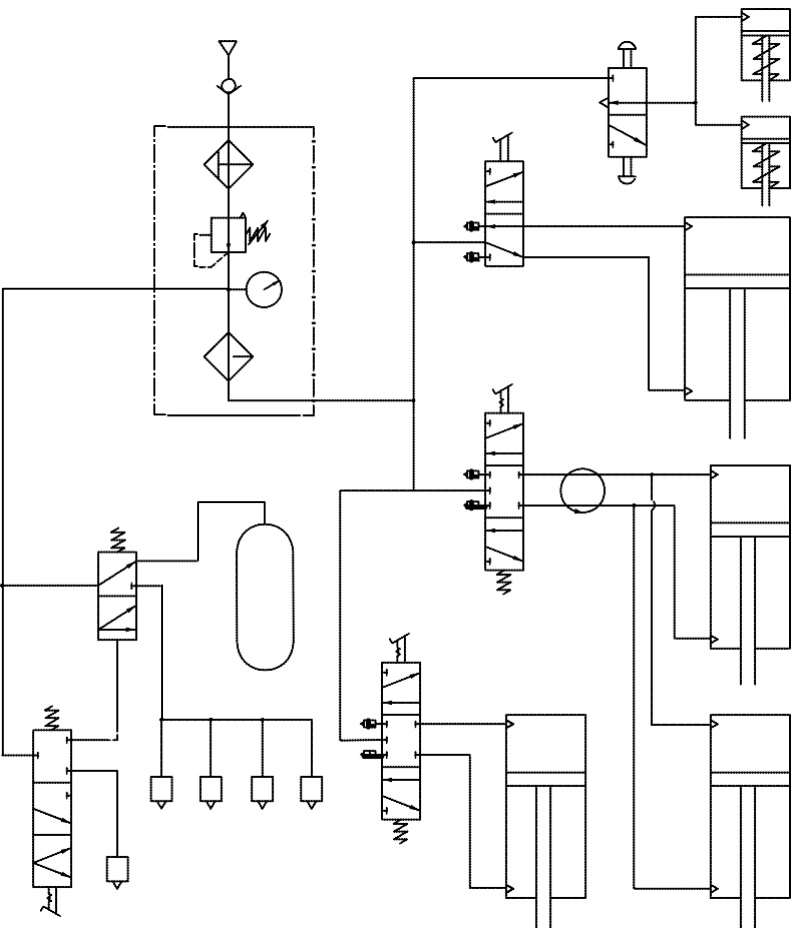


9、 Electric And Pneumatic Drawings

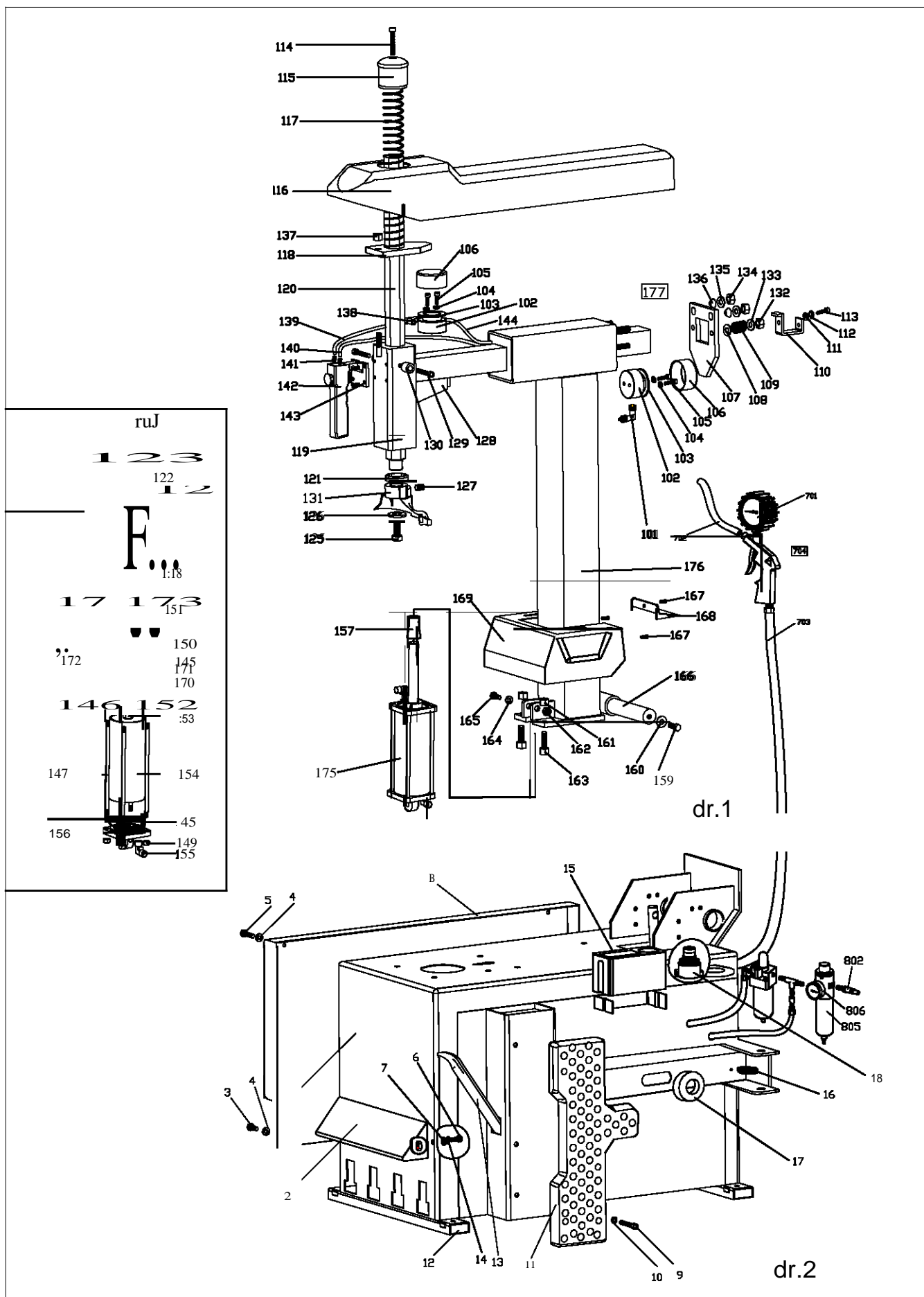
9-1 Electric Drawing

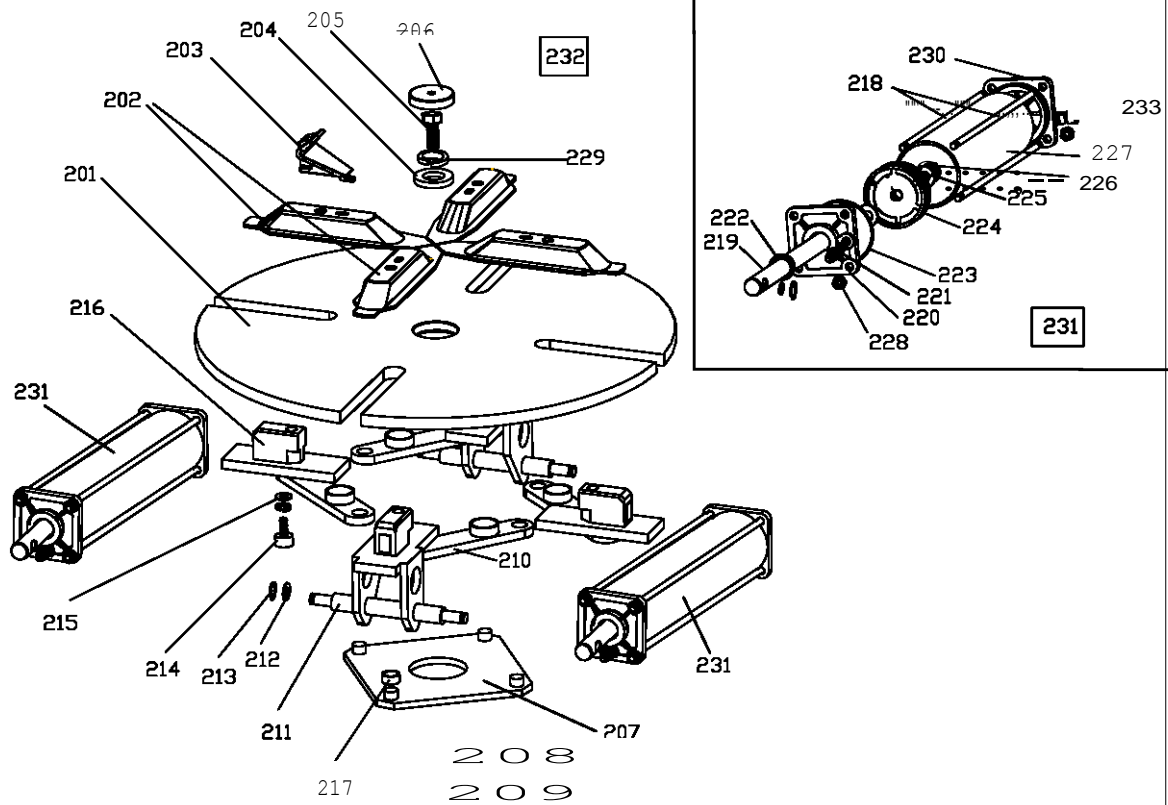


9-2 Pneumatic Drawing

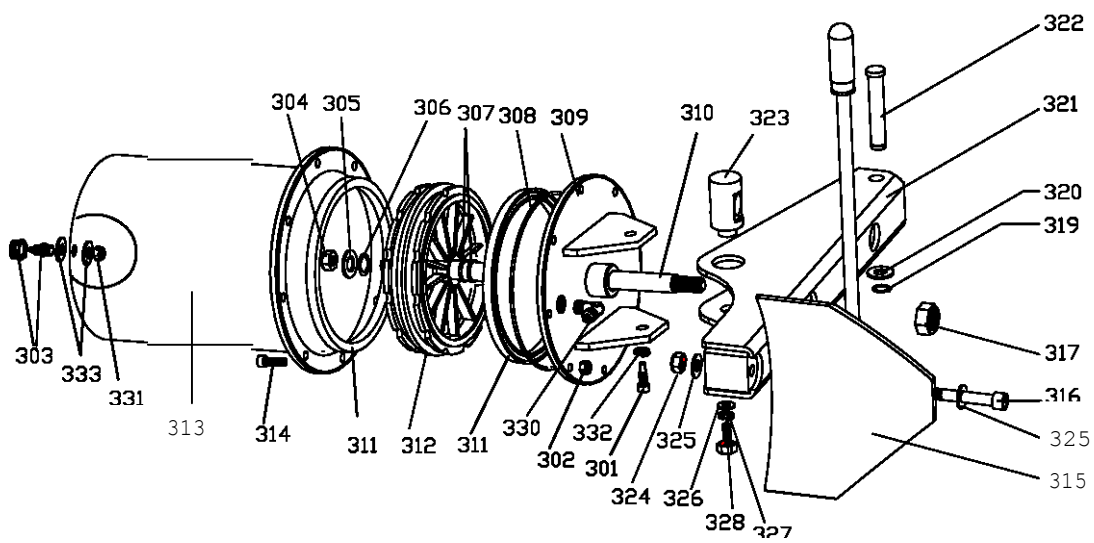


10 ДЕТАЛИРОВКА

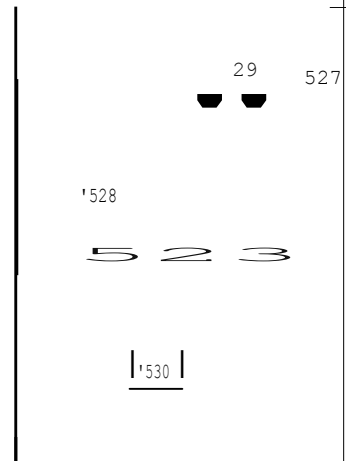
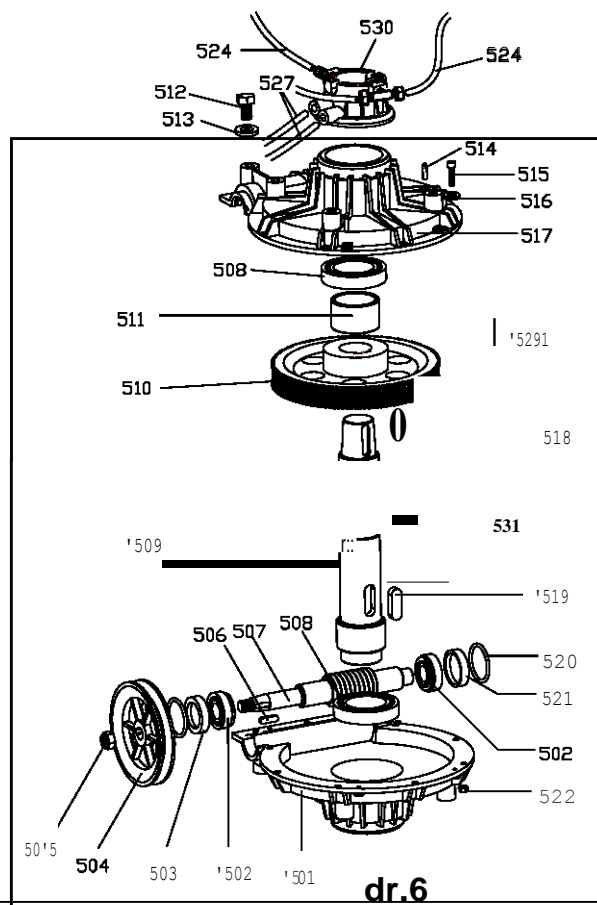
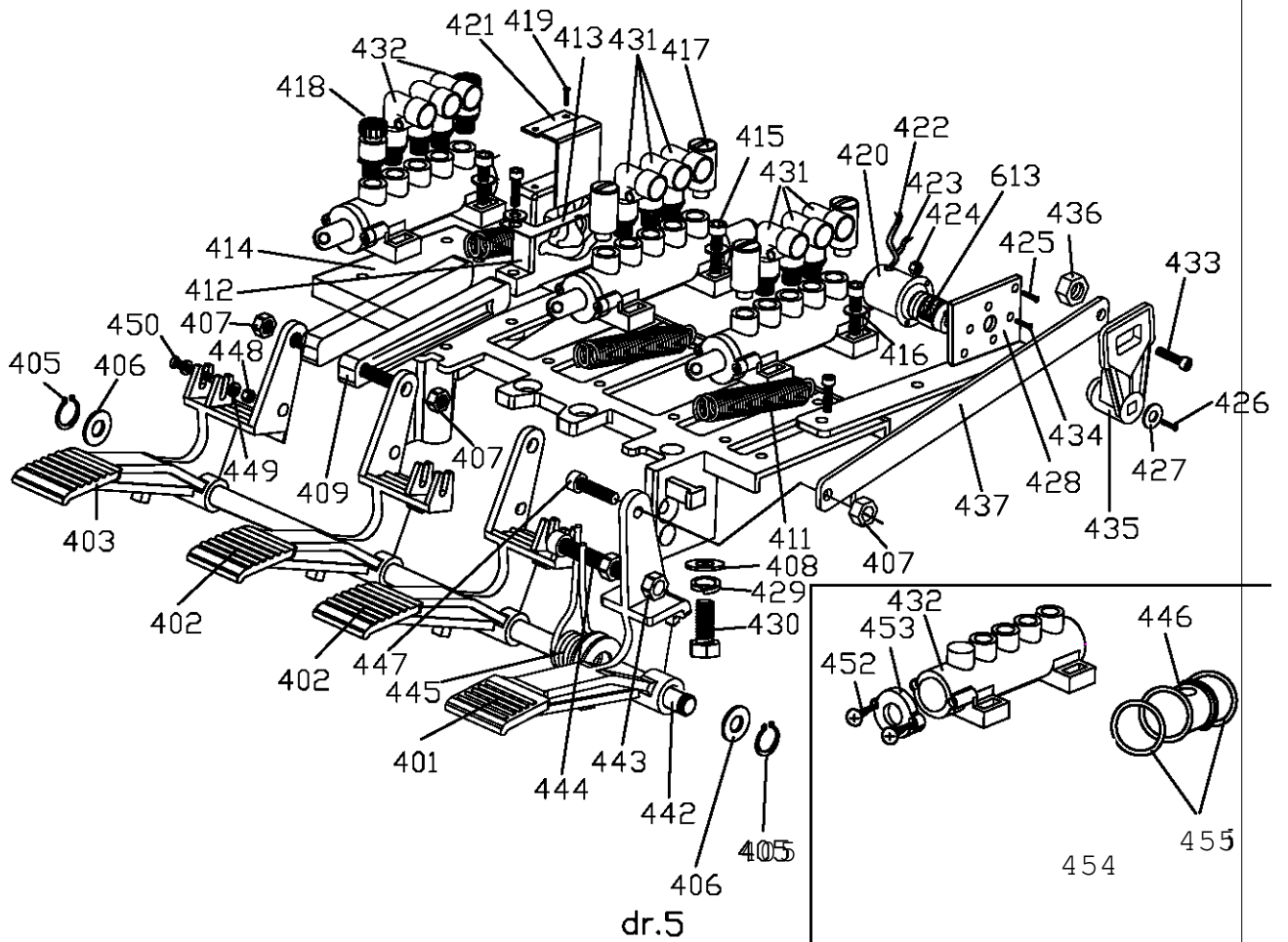


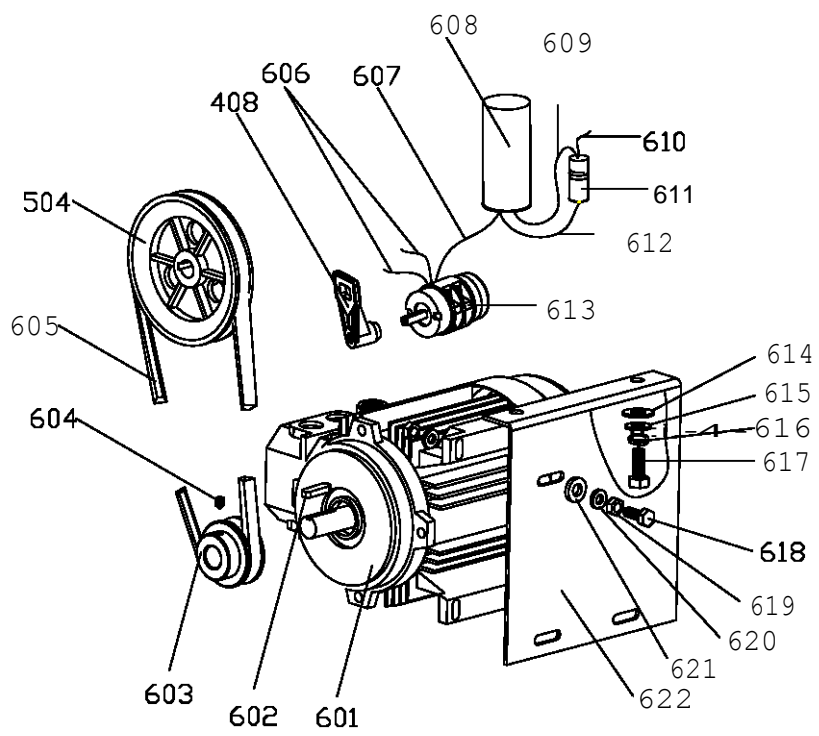


dr.3

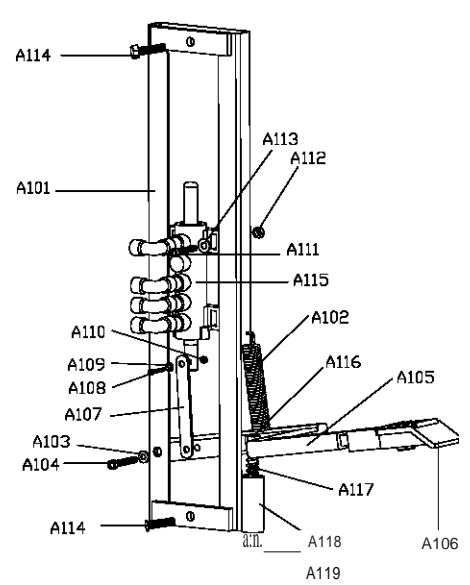
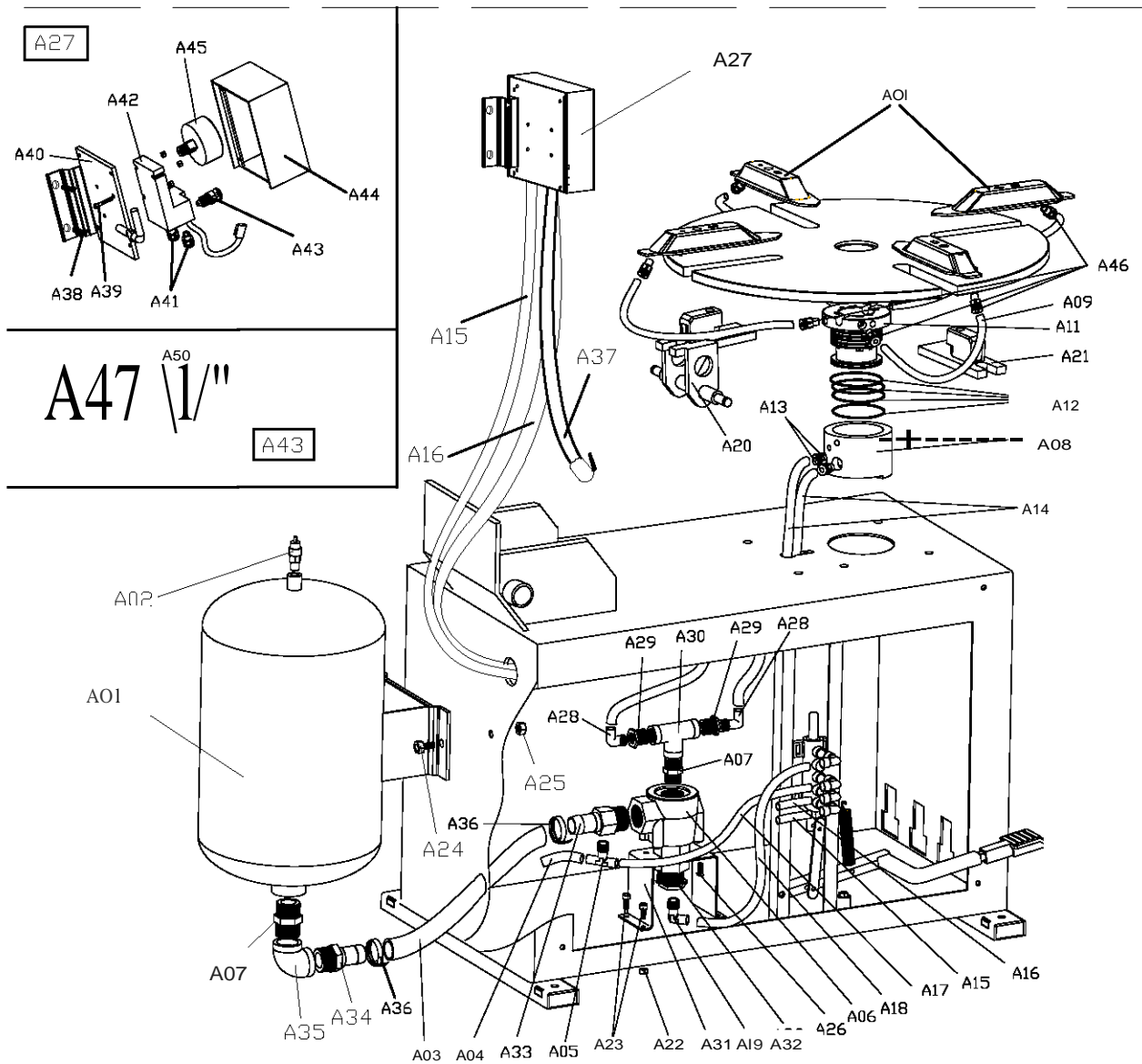


dr.4





dr.7



10 Перечень запчастей

| No. | Code | Qt. | Description | No. | Code | Qt. | Description |
|-----|------------|-----|-----------------------------|-----|------------|-----|--------------------------------------|
| 1 | C2330101 | 1 | Body | 135 | GB/T 95 | 2 | Washer φ12 |
| 2 | C2110106 | 1 | Front cover | 136 | C2330127 | 2 | Horizontal locking cone |
| 3 | GB/T 70 | 3 | Screw M6×15 | 137 | GB/T 1337 | 1 | Self-locking nut M8 |
| 4 | GB/T 95 | 6 | Washer φ6 | 138 | C2330338 | 1 | T-union 1/8" |
| 5 | GB/T 70 | 3 | Screw M6×50 | 139 | C2330360 | 1 | Hose(Handle bar to locking cylinder) |
| 6 | GB/T 70 | 3 | Screw M8×16 | 140 | C2330360 | 1 | Hose (tank to handle bar) |
| 7 | GB/T 95 | 4 | Washer φ8 | 141 | C2330342 | 2 | Quick change adapter |
| 8 | C2110143 | 1 | Left cover | 142 | C233012401 | 1 | Locking handle bar |
| 9 | GB/T 70 | 6 | Screw M6×15 | 143 | GB/T 70 | 4 | Screw M5×12 |
| 10 | GB/T 95 | 6 | Washer φ6 | 144 | C2330313 | 1 | Hose(Two locking cylinders link up) |
| 11 | C2110113 | 1 | Rubber wheel support | 145 | JB 1092 | 2 | O-ring φ70 |
| 12 | C211010111 | 4 | Rubber foot | 146 | GB/T 95 | 1 | Washer φ12 |
| 13 | C2110158 | 1 | Bead lifting lever | 147 | C233016010 | 4 | Tightener |
| 14 | GB/T 93 | 2 | Spring washer φ8 | 148 | C233016002 | 1 | Cylinder rod |
| 15 | C2110159 | 1 | box | 149 | GB/T 1337 | 8 | Self-locking nut M8 |
| 16 | C2110104 | 1 | Spring | 150 | C211016001 | 1 | Front flange |
| 17 | C2110108 | 1 | Rubber support | 151 | JB/T 6997 | 1 | V-seal |
| 18 | AR-2000 | 1 | F.R.L.Combination | 152 | C2110106 | 1 | Piston |
| | | | | 153 | GB/T 1337 | 1 | Self-locking nut M12 |
| 101 | C2330337 | 1 | L-union | 154 | C2330105 | 1 | Cylinder casing |
| 102 | C233011601 | 2 | Locking cylinder piston φ48 | 155 | C2110342 | 1 | Union 1/8" |
| 103 | C233011603 | 2 | C-seal 60 | 156 | C2110103 | 1 | Rear flange |
| 104 | GB/T 95 | 2 | Washer φ6 | 157 | C233016011 | 1 | Bell-mouthed sheath |
| 105 | GB/T 70 | 4 | Screw M6×40 | 158 | C233016010 | 2 | Rubber sheath |
| 106 | C233011602 | 2 | Locking cylinder casing φ48 | 159 | GB/T 5781 | 2 | Screw M10×15 |
| 107 | C2330117 | 1 | Horizontal locking plate | 160 | C2330159 | 2 | Washer φ10 |
| 108 | GB/T 95 | 2 | Washer φ6 | 161 | GB/T 41 | 2 | Nut M10 |
| 109 | C2330133 | 2 | Horizontal locking spring | 162 | GB/T 1337 | 1 | Self-locking nut M12 |
| 110 | C2330118 | 1 | Arm protection support | 163 | GB/T 5781 | 2 | Screw M10×15 |
| 111 | GB/T 95 | 4 | Washer φ8 | 164 | GB/T 95 | 1 | Washer φ10 |
| 112 | GB/T 93 | 4 | Spring washer φ8 | 165 | GB/T 27 | 1 | Hinged bolt |
| 113 | GB/T 70 | 1 | Screw M8×20 | 166 | C2330140 | 1 | Tilting pin |
| 114 | GB/T 70 | 1 | Screw M8×40 | 167 | GB/T 5781 | 2 | Screw M10×15 |
| 115 | C2110132 | 1 | Knob | 168 | C2330164 | 1 | Plastic cover |
| 116 | C2330129 | 1 | Plastic cover | 169 | C2330128 | 1 | Plastic cover |
| 117 | C2110131 | 1 | Spring | 170 | C233016007 | 1 | Sheath support |
| 118 | C2330130 | 1 | Vertical locking plate | 171 | C233016008 | 1 | Rubber sheath |
| 119 | C2330126 | 1 | Horizontal arm | 172 | C233016009 | 1 | Rubber sheath |
| 120 | C2110125 | 1 | Hexagonal vertical arm | 173 | C233016004 | 1 | Cover |
| 121 | C2110124 | 1 | Buffer bush | 174 | GB/T894 | 1 | Seeger ring |
| 122 | C211012302 | 1 | Pulley | 175 | C2330119 | 1 | Complete tilting cylinder |
| 123 | C2110124 | 1 | Munting head | 176 | C2330138 | 1 | Vertical column |
| 124 | GB/T 119 | 1 | Pin | 177 | C2330116 | 2 | Complete Locking cylinder |
| 125 | GB/T 78 | 1 | Screw M10×25 | | | | |
| 126 | GB/T 95 | 1 | Washer φ10 | 201 | C2110122 | 1 | Turntable φ610 |
| 127 | GB/T 80 | 1 | Screw M12×15 | 202 | C2110145 | 4 | Slide |
| 128 | C2330134 | 1 | Shock absorber | 203 | C2110144 | 4 | Jaw |
| 129 | GB/T 950 | 2 | Screw M6×10 | 204 | C2110120 | 1 | Turntable washer |
| 130 | C2330131 | 2 | Spacer φ6 | 205 | GB/T 5781 | 1 | Screw M16×20 |
| 131 | C2110123 | 1 | Complete mounting head | 206 | C2110163 | 1 | Cap |
| 132 | GB/T 1337 | 1 | Self-locking nut M8 | 207 | C2110147 | 1 | Control plate |
| 133 | GB/T 95 | 1 | Washer φ8 | 208 | C2110120 | 1 | Washer |
| 134 | GB/T 1337 | 2 | Self-locking nut M12 | 209 | GB/T 894 | 1 | Seeger ring φ65 |

| | | | | | | | |
|-----|-------------|----|-----------------------------------|-----|--------------|----|--------------------------------|
| 210 | C2110150 | 4 | Connecting rod | 332 | C211010608 | 1 | Washer ϕ 12 |
| 211 | C2110121 | 2 | Slide guide with pin | 333 | GB/T6173 | 1 | Nut M12X1.25 |
| 212 | GB/T 95 | 4 | Washer ϕ 12 | 334 | GB/T5781 | 12 | Screw M6X16 |
| 213 | GB/T 894.1 | 4 | Seeger ring ϕ 12 | 335 | C2110343 | 1 | L-union 1/4" |
| 214 | GB/T 80 | 4 | Screw M12 \times 85 | 336 | C2110106A | 1 | Complete bead breaker cylinder |
| 215 | GB/T 95 | 4 | Washer ϕ 12 | | | | |
| 216 | C211012101 | 2 | Slide guide | 401 | C211011202 | 1 | Switch pedal |
| 217 | C2110148 | 4 | Flat spacer for chuck | 402 | C211011201 | 2 | pedal |
| 218 | C211011904 | 8 | Tightener | 403 | | 1 | 4#pedal |
| 219 | C211011902 | 2 | Cylinder rod | 405 | GB/T 894.1 | 2 | Seeger ring ϕ 12 |
| 220 | C211011901 | 2 | Front flange | 406 | GB/T95 | 2 | Washer ϕ 12 |
| 221 | C2110336 | 1 | Union 1/8"- ϕ 7 | 407 | GB/T 1337 | 2 | Self-locking nut M8 |
| 222 | JB/T 6997 | 2 | V-seal | 408 | GB/T 5287 | 2 | Washer ϕ 8 |
| 223 | JB1092 | 4 | O-ring ϕ 70 | 409 | C211011210 | 1 | Cam connecting rod |
| 224 | C211011906 | 2 | Piston | 410 | C211011208 | 1 | Pedals support |
| 225 | GB/T 95 | 2 | Washer ϕ 12 | 411 | C211011211 | 2 | Spring |
| 226 | GB/T 1337 | 2 | Self-locking nut | 412 | C211011209 | 1 | Cam |
| 227 | C211011905 | 2 | Cylinder casing | 413 | C211011216 | 1 | Flat spring |
| 228 | GB/T 95 | 16 | Washer M8 | 414 | C211011208 | 1 | Pedals support |
| 229 | GB/T 95 | 1 | Spring Washer ϕ 16 | 415 | GB/T 70 | 10 | Screw M6 \times 20 |
| 230 | C211011903 | 2 | Rear flange | 416 | GB/T95 | 10 | Washer ϕ 6 |
| 231 | C2110119 | 2 | Complete clamping cylinder | 417 | C211011221 | 4 | Silencer 1/8" |
| 232 | | 1 | Complete self-centering chuck | 418 | 06-01 | 2 | Adjust valve |
| 233 | C2110331 | 2 | L-Union 1/8" | 419 | GB/T 845 | 2 | Cap screw ST2.9 \times 5 |
| | | | | 420 | | 1 | switch Protect |
| 301 | GB/T 70 | 2 | Screw M12 \times 15 | 421 | C211011215 | 1 | Cam cover |
| 302 | GB/T 41 | 12 | Nut M6 | 422 | C2110211 | 1 | Power cable |
| 303 | C2110353 | 1 | Union 1/4" | 423 | C2110211 | 1 | Cable (switch to motor) |
| 304 | GB/T 1337 | 1 | Self-locking nut M12 | 424 | GB/T 41 | 2 | Nut M4 |
| 305 | GB/T 95 | 1 | Washer ϕ 12 | 425 | GB/T 973 | 2 | Screw M4X15 |
| 306 | JB1092 | 1 | O-ring ϕ 16 | 426 | GB/T 973 | 1 | Screw M3X16 |
| 307 | JB1092 | 2 | O-ring ϕ 16 | 427 | GB/T93 | 1 | Spring washer ϕ 3 |
| 308 | JB1092 | 2 | O-ring ϕ 180 | 428 | C211011218 | 1 | Switch support |
| 309 | C211010606 | 1 | Bead breaker cylinder lid (front) | 429 | GB/T93 | 2 | Spring washer ϕ 8 |
| 310 | C211010601 | 1 | Bead breaker rod | 430 | GB/T 70 | 2 | Screw M8 \times 16 |
| 311 | JB/T 1091 | 2 | V-seal | 431 | C2110331 | 7 | L-union 1/8"- ϕ 8 |
| 312 | C211010602 | 1 | Piston | 432 | C2110331 | 2 | L-union 1/8"- ϕ 6 |
| 313 | C211010603A | 1 | Bead breaker cylinder | 436 | GB/T 1337 | 1 | Self-locking nut M6 |
| 314 | GB/T 70 | 12 | Screw M6 \times 15 | 437 | C211011206 | 1 | Connecting rod |
| 315 | C2110114 | 1 | Shovel | 442 | C211011203 | 1 | Pedals shaft |
| 316 | GB/T 70 | 12 | Screw M12 \times 70 | 443 | GB/T 41 | 2 | Nut M8 |
| 317 | GB/T 1337 | 1 | Self-locking nut M16 | 444 | GB/T 70 | 1 | Screw M8 \times 60 |
| 319 | GB/T 894.1 | 1 | Seeger ring ϕ 16 | 445 | C211011213 | 1 | Twist-spring |
| 320 | GB/T 96 | 1 | Washer ϕ 16 | 436 | GB/T 1337 | 1 | Self-locking nut M6 |
| 321 | C2110105 | 1 | Bead breaker arm | 437 | C211011206 | 1 | Connecting rod |
| 322 | C2110142 | 1 | Bead breaker arm pin (rear) | 442 | C211011203 | 1 | Pedals shaft |
| 323 | C2110168 | 1 | Rotating pin | 443 | GB/T 41 | 2 | Nut M8 |
| 324 | GB/T 1337 | 1 | Self-locking nut M12 | 444 | GB/T 70 | 1 | Screw M8 \times 60 |
| 325 | GB/T 95 | 2 | Washer ϕ 12 | 445 | C211011213 | 1 | Twist-spring |
| 326 | GB/T 5287 | 1 | Washer ϕ 8 | 446 | C20200122004 | 10 | Spacer |
| 327 | GB/T93 | 1 | Spring washer ϕ 8 | 447 | GB/T 70 | 1 | Screw M8 \times 15 |
| 328 | GB/T 5783 | 1 | Screw M8 \times 15 | 448 | GB/T 1337 | 2 | Self-locking nut M4 |
| 329 | C2110106A | 1 | Complete bead breaker cylinder | 449 | GB/T95 | 6 | Washer ϕ 4 |
| 330 | C2110343 | 1 | L-union 1/4" | 450 | GB/T 973 | 3 | Screw M4X40 |
| 331 | | 1 | Nut 1/8" | 451 | C211011220 | 2 | Complete 5-way valve(T-union) |
| 332 | | 2 | Washer ϕ 10 | 452 | GB/T 845 | 2 | Cap screw ST2.9 \times 5 |

| | | | | | | | |
|-----|--------------|----|---|-----|------------|---|--|
| 453 | C20200122003 | 2 | valve cover | 701 | C211033001 | 1 | Air gauge |
| 454 | C20200122002 | 2 | Valve pole | 702 | C211033002 | 1 | Air outlet hose |
| 455 | JB1092 | 18 | O-ring φ12 | 703 | C211033003 | 1 | Air inlet hose |
| | | | | 704 | C2110330 | 1 | Complete inflating gun |
| 501 | C211015203 | 1 | Bottom cover | | | | |
| 502 | GB/T 297 | 2 | Roller bearing 30204 | 801 | C2110345 | 1 | T-union 1/4" |
| 503 | GB/T 10708 | 1 | V-seal | 802 | C2110351 | 1 | Quick change adapter |
| 504 | C211015207 | 1 | Gear box pulley | 803 | C2110343 | 1 | L-union 1/4" |
| 505 | GB/T 41 | 1 | Nut M10 | 804 | C2110331 | 1 | Lubricator |
| 506 | GB/T 1096 | 1 | Key 6×20 | 805 | C2110332 | 1 | Filter and pressure reducer |
| 507 | C211015206 | 1 | Worm screw | 806 | C2110333 | 1 | Pressure gauge |
| 508 | GB/T 292 | 2 | Bearing 7010 | 807 | 200-03-03 | 1 | Filter and pressure reducer+lubr. |
| 509 | C211015202 | 1 | Worm gear shaft | 808 | C2110161 | 1 | Gauge support |
| 510 | C211015201 | 1 | Worm gear | 809 | GB/T 819 | 2 | Screw M4×40 |
| 511 | C211015208 | 1 | Spacer | 810 | GB/T 819 | 2 | Screw M5×12 |
| 512 | GB/T 5783 | 6 | Screw M10×55 | | | | |
| 513 | GB/T95 | 6 | Washer φ10 | A01 | I2110301 | 1 | Tank |
| 514 | GB/T 117 | 2 | Pin | A02 | PQ-L10 | 1 | safety valve |
| 515 | GB/T 70 | 10 | Screw M6×15 | A03 | I2330341 | 1 | Hose (tank to quick exhaust valve) |
| 516 | GB/T93 | 6 | Spring washer φ10 | A04 | I2110312 | 1 | Hose (input to quick exhaust valve) |
| 517 | C211015203 | 1 | Upper cover | A05 | C21103011 | 1 | T-union 1/4" |
| 518 | GB/T 1096 | 1 | Key 10×40 | A06 | KP-L25 | 1 | Complete quick exhaust valve |
| 519 | GB/T 1096 | 1 | Key 14×40 | A07 | C2330339 | 1 | Tie-in |
| 520 | JB1092 | 2 | O-ring φ34 | A08 | I211030301 | 1 | Rotating valve casing |
| 521 | C211015205 | 1 | Plastic cap | A09 | I2110313 | 4 | Hose(Rotating union to slide) |
| 522 | GB/T 1337 | 10 | Self-locking nut M6 | A10 | I2110145 | 4 | Slide |
| 523 | C211011701 | 1 | Rotating union casing | A11 | I211011701 | 1 | Rotating union mandrel |
| 524 | C2110327 | 2 | Hose (Rotating valve to clamping cylinder | A12 | C211011704 | 4 | O-ring φ60.5×3.1 |
| 525 | C2110342 | 4 | Union 1/8" | A13 | C21103011 | 2 | Union 1/2"-φ12 |
| 526 | C211011702 | 1 | Rotating union mandrel | A14 | I2110314 | 2 | Hose(exhaust valve to Rotating union) |
| 527 | C2110341 | 2 | T-Union | A15 | I2110315 | 1 | Hose(5-way valve to inflating gun) |
| 528 | JB1092 | 3 | O-ring φ60X2.65 | A16 | C211011220 | 1 | Hose(5-way valve to quick exhaust valve) |
| 529 | C2110152 | 1 | Complete gearbox | A17 | I2110314 | 1 | Hose(5-way valve to inflating gun) |
| 530 | C2110117 | 1 | Complete rotating union | A18 | I2110317 | 1 | Hose(5-way valve to quick exhaust valve) |
| 531 | GB/T 70 | 2 | Screw M6×8 | A19 | I2110330 | 1 | L-union 1/8" |
| | | | | A20 | I211011210 | 2 | Slide guide with pin |
| 601 | C2110201 | 1 | Motor MY8024 | A21 | I211011210 | 2 | Slide guide |
| 602 | GB/T 1096 | 1 | Key 6 ×20 | A22 | GB/T41 | 4 | Nut M6 |
| 603 | C2110141 | 1 | Motor pulley | A23 | GB/T5781 | 4 | Screw M6 |
| 604 | GB/T 71 | 1 | Screw M6×10 | A24 | GB/T5781 | 2 | Screw M10 |
| 605 | GB/T 11544 | 1 | Belt A26" | A25 | GB/T41 | 2 | Nut M10 |
| 606 | C2110211 | 1 | Cable (switch to motor) | A26 | GB/T5781 | 4 | Screw M6X25 |
| 607 | C2110212 | 1 | Cable (switch to capacitor) | A27 | I2330340 | 1 | Air manometer |
| 608 | C2110202 | 1 | Capacitor 35μF | A28 | C2110340 | 2 | L-union 1/2" |
| 609 | C2110213 | 1 | Cable | A29 | I233030303 | 2 | Tie-in |
| 610 | C202011217 | 1 | Switch jacket | A30 | I233030304 | 1 | T-Union |
| 611 | C2110154 | 2 | Shock absorber washer | A31 | I233030301 | 1 | quick exhaust valve support |
| 612 | C2110154 | 8 | Shock absorber washer | A32 | I233030305 | 1 | Union |
| 613 | IEC947-3 | 1 | Reverse switch | A33 | I233030302 | 1 | Union |
| 614 | C2110154 | 2 | Shock absorber washer | A34 | I233030103 | 1 | Union |
| 615 | GB/T95 | 2 | Washer φ8 | A35 | I233030104 | 1 | L-Union |
| 616 | GB/T 93 | 2 | Spring washer | A36 | I233030106 | 2 | Nip |
| 617 | GB/T 70 | 2 | Screw M8×20 | A37 | I22110322 | 1 | inflate hose |
| 618 | GB/T 70 | 2 | Screw M8×50 | A38 | GB/T5781 | 2 | Screw M6X20 |
| 619 | GB/T 41 | 8 | Nut M8 | A39 | GB/T818 | 4 | Screw M4X30 |
| 620 | C2110110 | 1 | Motor support | A40 | I233017002 | 1 | back cover |

| | | | | | | | |
|------|--------------|---|-------------------------|------|-------------|---|---------------------|
| A41 | PC10-01 | 2 | connector 1/8" | A104 | GB/T 5780 | 1 | Bolt M8×30 |
| A42 | I233017004 | 1 | integer block | A105 | I2110102 | 1 | Pedal lever |
| A43 | I233017005 | 1 | deflate valve | A106 | I2110103 | 1 | Inflation pedal |
| A44 | I233017003 | 1 | front cover | A107 | I2110104 | 1 | Connecting rod |
| A45 | | 1 | air manometer support | A108 | GB/T 5780 | 1 | Bolt M4×20 |
| A46 | PC10-02 | 8 | Union 1/4"-φ10 | A109 | GB/T 50 | 1 | Washer φ4 |
| A47 | I23301700502 | 1 | shaft of valve | A110 | GB/T 1337 | 1 | Self-locking nut M4 |
| A48 | GB/T3452.1 | 1 | O-ring φ4.0×1.8 | A111 | GB/T 70 | 1 | Screw M6×20 |
| A49 | I23301700504 | 1 | spring | A112 | GB/T 1337 | 1 | Self-locking nut M6 |
| A50 | I23301700501 | 1 | valve block | A113 | GB/T 50 | 1 | Washer φ6 |
| A51 | I23301700503 | 1 | cap | A114 | GB/T 70 | 2 | Screw M8×25 |
| | | | | A115 | I2110316 | 1 | 5-way valve |
| A101 | I2110101 | 1 | Inflation pedal support | A116 | GB/T5781 | 4 | Screw M10X70 |
| A102 | GB/T 1239.6 | 1 | Spring | A117 | GB/T 1239.6 | 1 | Spring |
| A103 | GB/T 50 | 1 | Washer φ8 | A118 | GB/T 5780 | 1 | Bolt M4×20 |