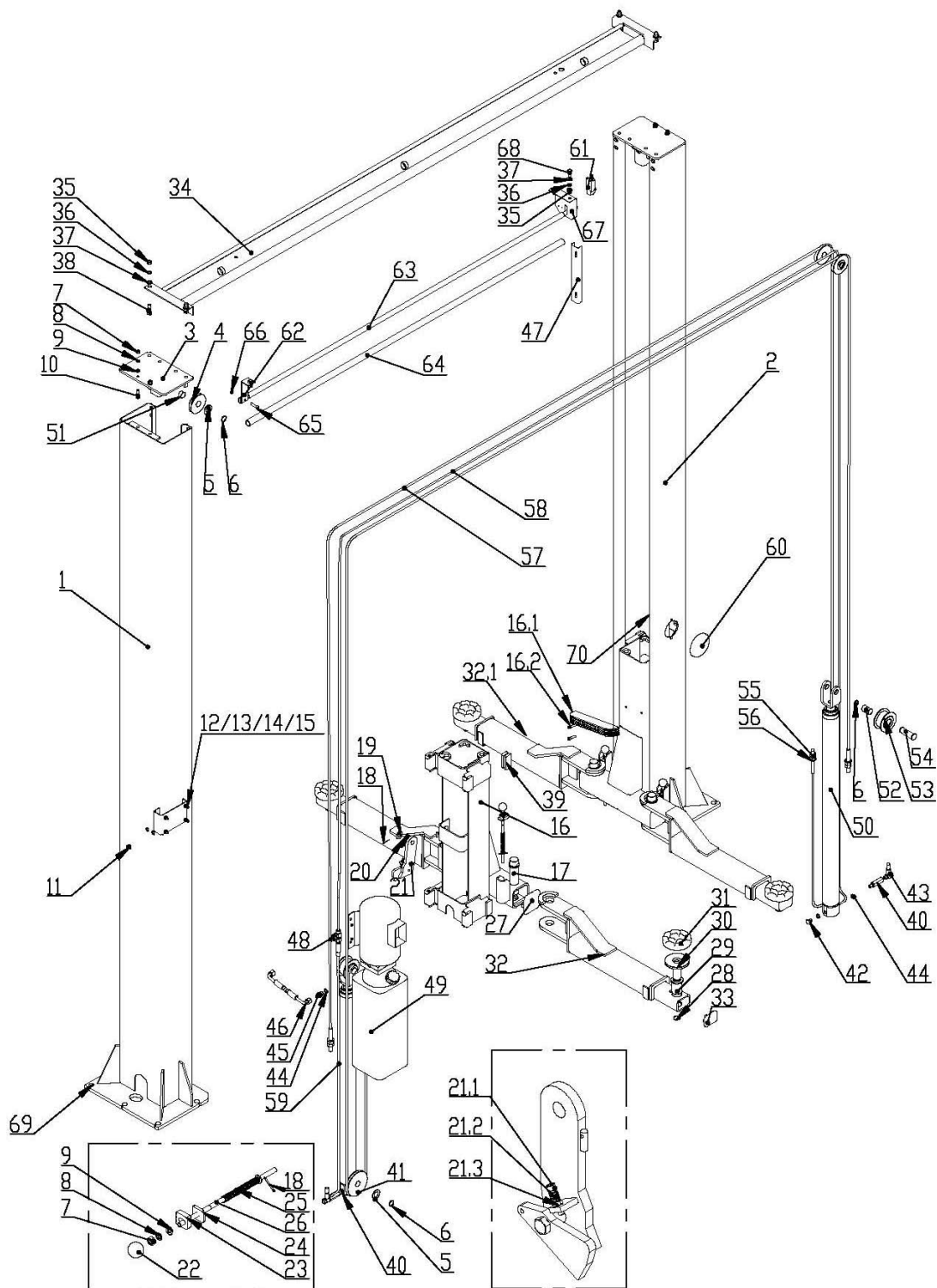


Подъемник с верхней синхронизацией

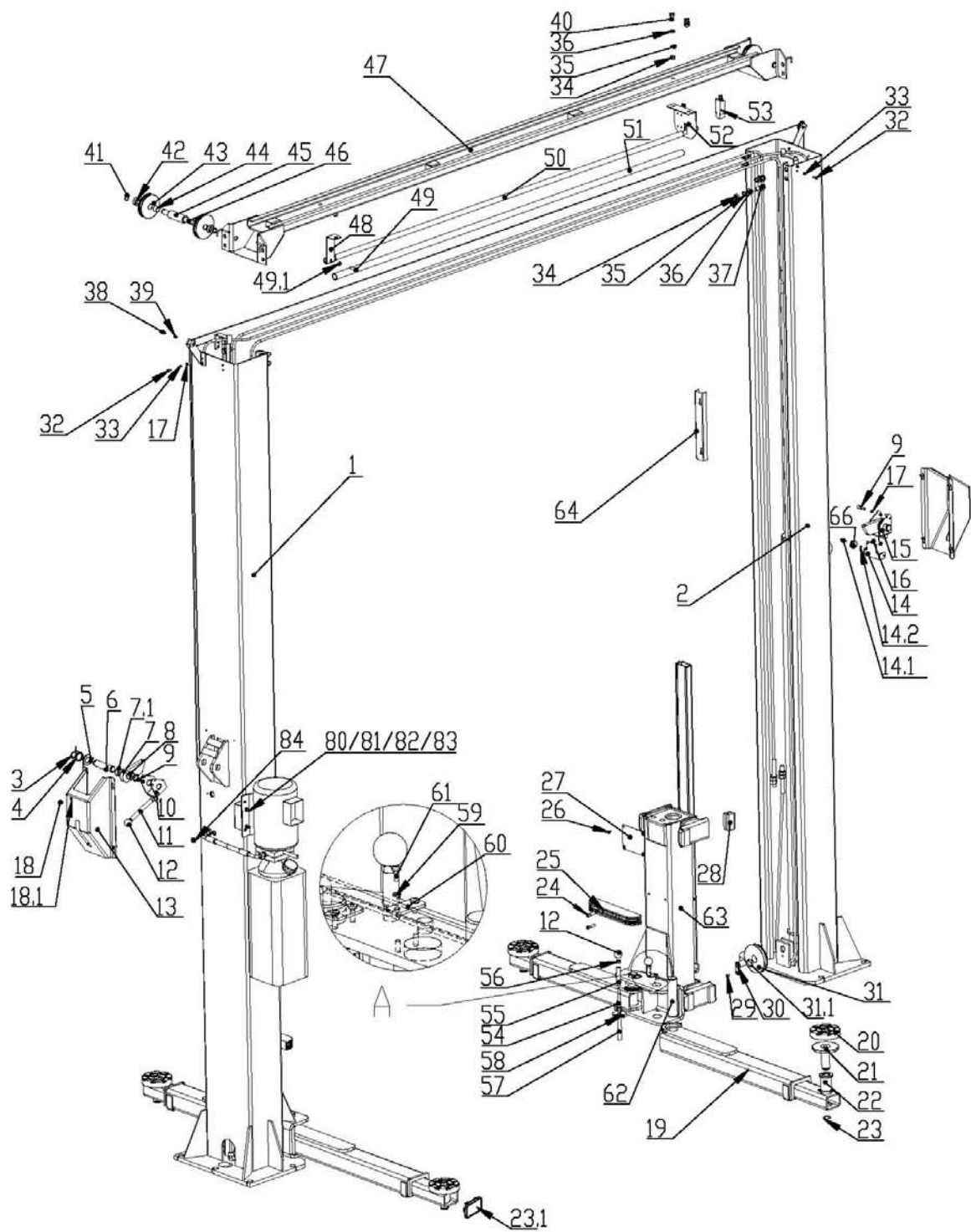
NORDBERG N4120H2-4T

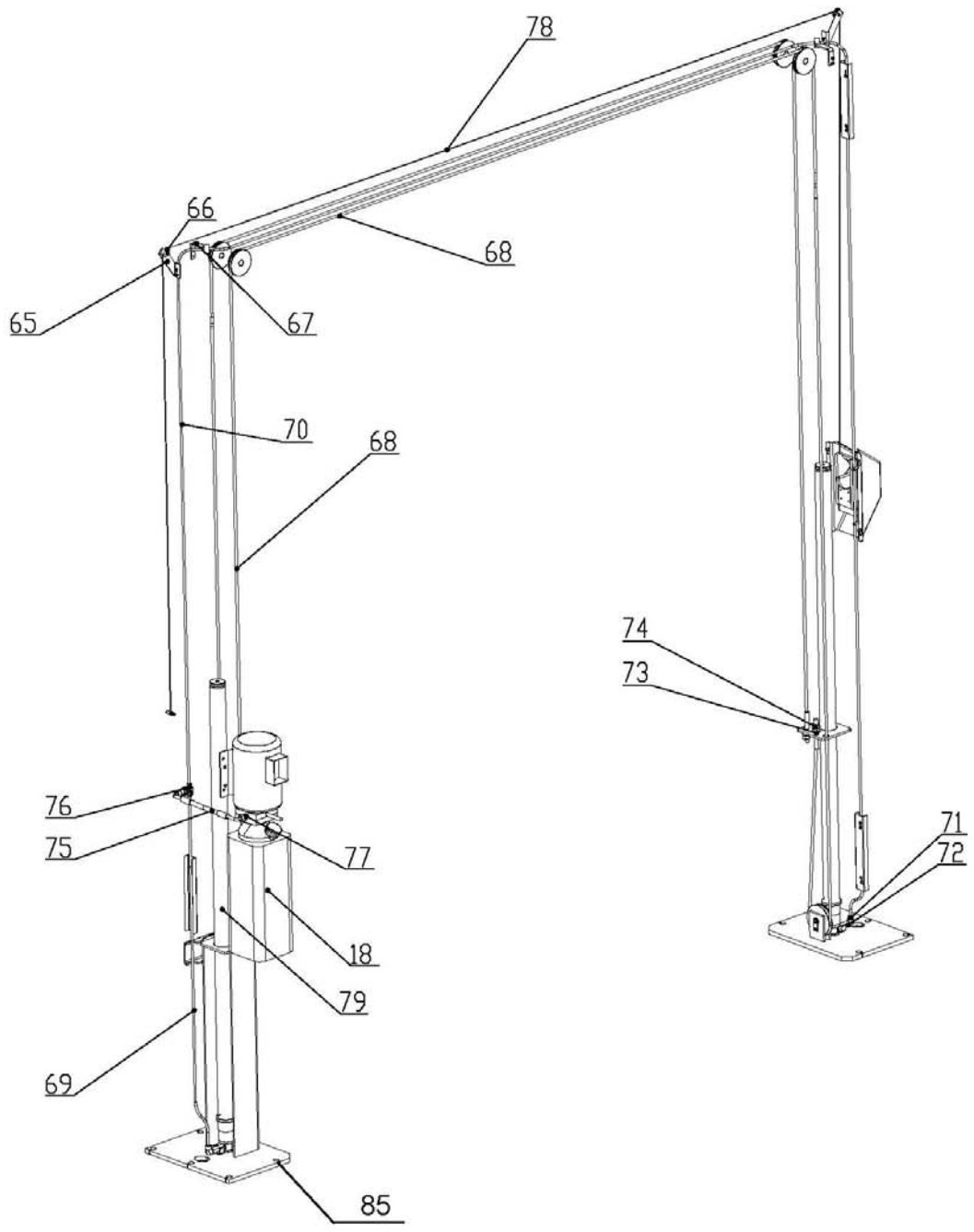


Parts List

| No. | Chart Number | Name | Quantity |
|------|--------------------|------------------------|----------|
| 1 | TT-6835-100-00A | Main column jointing | 1 |
| 2 | TT-6835-100-00B | Sub column | 1 |
| 3 | TT-6835-100-13-00 | Up board | 2 |
| 4 | TPF4A-700-02-02 | Pulley | 6 |
| 5 | XG4.5A01-04 | Washer | 6 |
| 6 | GB894.1-86 D25 | Spindle spring washer | 6 |
| 7 | GB6170-2000 M10 | Hexangular nut | 4 |
| 8 | GB97.2-85 D10 | Flat washer | 4 |
| 9 | GB93-87 D10 | Spring washer | 4 |
| 10 | GB5781-86 M10×35 | Hexangular bolt | 4 |
| 11 | TT-6835-100-03 | Wire retainer | 2 |
| 12 | GB5781-86 M8×25 | Hexangular bolt | 4 |
| 13 | GB97.2-85 D8 | Flat washer | 4 |
| 14 | GB93-87 D8 | Spring washer | 4 |
| 15 | GB6170-86 M8 | Hexangular nut | 4 |
| 16 | TT-6934-200-01-00 | Carriage jointing | 2 |
| 16.1 | DL38G-C116A | Protection | 2 |
| 16.2 | GB70-1985 M8X35 | Inner hexangular bolt | 4 |
| 17 | TPF4-400-06-00 | Pin jointing | 4 |
| 18 | GB91-86 Ø2.5X32 | Shaft sheath | 5 |
| 19 | GB97.2-85 D20 | Flat washer | 1 |
| 20 | TPF4-300-02 | Pull spring | 1 |
| 21 | TPF4-300-00 | Retropack jointing | 1 |
| 21.1 | GB70-85 M6×30 | Inner hexangular screw | 1 |
| 21.2 | TPF4-300-09 | Spring | 1 |
| 21.3 | GB6170-2000 M6 | Hexangular nut | 1 |
| 22 | | Bakelite ball | 4 |
| 23 | TPF4A-200-11-04 | Rack board | 4 |
| 24 | TPF4-200-11-05 | Ramp board | 4 |
| 25 | qys-200-17 | Spring | 4 |
| 26 | TPF4A-200-11-01 | Rack spindle | 4 |
| 27 | TT-6934-200-02 | Cover | 2 |
| 28 | GB/T895.2-1986 28 | Spindle spring washer | 4 |
| 29 | TT-6934-048417160 | Screw sleeve | 4 |
| 30 | TT-6934-048417190L | Salver | 4 |
| 31 | TT-6934-046405761 | Salver | 4 |
| 32 | TT-6934-400-05-00M | Long arm | 4 |

| | | | |
|------|--------------------------|-------------------------------------|----|
| 32.1 | TT-6934-400-05K-00BM | Short arm | |
| 33 | TT-6934-400-07 | Cover | 4 |
| 34 | TPF4A-700-04-00 | Board jointing | 1 |
| 35 | GB6170-86 M12 | Hexangular nut | 7 |
| 36 | GB93-87 D12 | Spring washer | 7 |
| 37 | GB97.2-85 D12 | Flat washer | 7 |
| 38 | GB5781-86 M12x40 | Hexangular bolt | 4 |
| 39 | DL38G-C109A | Nylon block | 16 |
| 40 | TT-6934-500-02 | 3.8B cylinder joint | 2 |
| 41 | TPF4-100-10-05 | Idler wheel | 2 |
| 42 | M14X1.5 | Cover | 2 |
| 44 | M14 | M14 Combination washer | 5 |
| 45 | TT-6934-500-04 | Cylinder fitting | 1 |
| 46 | TT-6134-500-02 | Hydraulic Hose L=360 | 1 |
| 47 | TT-6835-100-02NEW | Cylinder cover | 10 |
| 48 | TT-6835-500-04-00 | T fitting | 1 |
| 49 | | Hydraulic pump | 1 |
| 50 | TPF4 NEW | Oil cylinder | 2 |
| 51 | SF-1 2515 | Multiple bush | 6 |
| 52 | SF2520 | Multiple bush | 4 |
| 53 | TPF4-100-14-01 | Idler wheel | 2 |
| 54 | TPF4-100-14-02 | Spindle | 2 |
| 55 | GB/6170-2000 M16 | Hexangular nut | 8 |
| 56 | GB95-1985 D16 | Flat washer | 4 |
| 57 | TT-6835-Steel cable | Steel cable L=10350 | 2 |
| 58 | TT-6835-500-05 | Hydraulic Hose L=8800 | 1 |
| 59 | TT-6835-500-01 | Cylinder oil pipe L=1430 | 1 |
| 60 | TPF4-100-12 | Cover | 2 |
| 61 | TZ-8108 | Limit switch | 1 |
| 62 | DL38G-L104A | Hanger plate | 1 |
| 63 | DL38G-L103A-00 | Limit bar jointing | 1 |
| 64 | | Rubber sponge sleeve | 1 |
| 65 | GB_70-85 M8X35 | Inner hexangular screw | 1 |
| 66 | GB889.1 M8 | Self-locking nut | 1 |
| 67 | DL38G-L101A | Hanging bracket | 1 |
| 68 | GB5781-86 M12x25 | Hexangular bolt | 3 |
| 69 | | Anchor bolt $\phi 20 \times 200$ mm | 10 |
| 70 | LH1244 Chain 121 section | Chain | 2 |





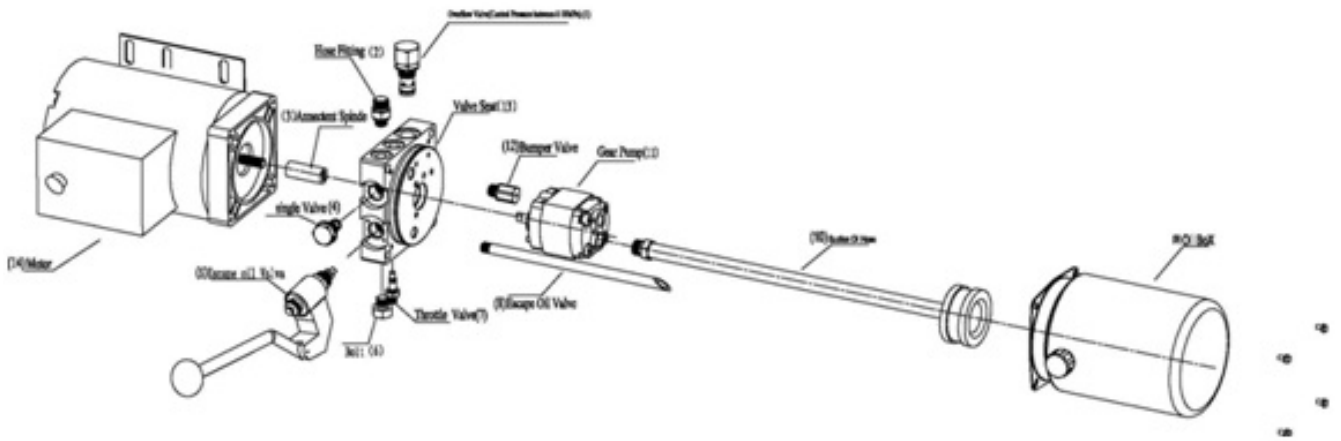
Parts List

| No. | Chart Number | Name | Quantity |
|------|--------------------|----------------------------|----------|
| 1 | TT-6835-A-100-00A | Main column jointing | 1 |
| 2 | TT-6835-A-100-00B | Sub column | 1 |
| 3 | GB894.1-1986 D25 | Spindle spring washer | 4 |
| 4 | XG4.5A05-08 | Assistant torsional spring | 2 |
| 5 | GB97.2-85 D24 | Flat washer | 2 |
| 6 | DL38G-B111A | Spindle | 2 |
| 7 | 12100086 | LOCK | 2 |
| 7.1 | SF-1 2515 | Multiple bush | 2 |
| 8 | TDL38G-B112A | Bush | 4 |
| 9 | XG4.5A05-04 | Screw | 2 |
| 10 | TXG4.5A05-15-00 | Frame | 1 |
| 11 | XG4.5A05-14 | Handle | 1 |
| 12 | JB - T7271.1-94 | Handle Ball | 5 |
| 13 | TT-6835-A-100-03 | Shell Casing | 2 |
| 14 | XG4.5A-05-15-02 | Bracket-02 | 1 |
| 14.1 | GB5281-85 M5X15 | Six Angle Cylinder Screw | 1 |
| 14.2 | GB6170 M5 | Hexangular nut | 1 |
| 15 | TXG4.5A05-03 | Bracket-01-01 | 1 |
| 16 | GB818 M6X10 | Cross screw | 2 |
| 17 | GB6170 M6 | Hexangular nut | 6 |
| 18 | GB818-2000 M6X16 | Cross screw | 8 |
| 18.1 | GB95-1985 D6 | Flat washer | 8 |
| 19 | TT-6835-A-400-00L | Long Arm | 4 |
| 20 | TT-6934-046405772 | Rubber washer | 4 |
| 21 | TT-6934-048417190L | Salver | 4 |
| 22 | TT-6934-048417160 | Screw sleeve | 4 |
| 23 | GB895.2-1986 D 28 | Spindle spring washer | 4 |
| 23.1 | TT-6934-400-07 | Cover | 4 |
| 24 | GB70-1985 M8X35 | Inner hexangular screw | 4 |
| 25 | DL38G-C116A | Protection | 2 |
| 26 | GB/T818 M6x8 | Cross screw | 8 |
| 27 | TT9D-200-03 | Cover | 2 |
| 28 | DL38G-C109A | Nylon block | 16 |
| 29 | GB819-2000 M6X10 | Cross bolt | 2 |
| 30 | TT9D-100-03-00 | Rope sheave root spindle | 2 |
| 31 | XG4.5A01-03 | Pulley | 2 |
| 31.1 | SF-1 25(29)18 | Multiple bush | 2 |


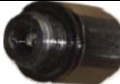


| | | | |
|------|---------------------|-----------------------------|------|
| 32 | GB5781-2000 M6X16 | Hexangular bolt | 8 |
| 33 | GB93-1987 D6 | Spring washer | 8 |
| 34 | GB6170-86 M12 | Hexangular nut | 8+3 |
| 35 | GB93-1987 D12 | Spring washer | 8+3 |
| 36 | GB97.2-85 d 12 | Flat washer | 16+3 |
| 37 | GB5783-1985 M12X40 | Hexangular bolt | 8 |
| 38 | GB70-85 M6X25 | Hexangular bolt | 2 |
| 39 | GB889.1-86 M6 | Hexangular nut | 2 |
| 40 | GB5783-86 M12X25 | Hexangular bolt | 3 |
| 41 | GB894.1-86 D19 | Spindle spring washer | 4 |
| 42 | TT9D-400-01-05 | Short spacer bush | 4 |
| 43 | DPF4-3.2-200-03 | Pulley | 4 |
| 44 | DPF4-3.2-200-10 | Multiple bush | 4 |
| 45 | TT9D-400-01-03 | Long spacer bush | 2 |
| 46 | TT9D-400-01-04 | Axle | 2 |
| 47 | TT-6835-A-300-01-00 | Gantry | 1 |
| 48 | DL38G-L104A | Hanger plate | 1 |
| 49 | GB 70-85 M8X35 | Inner hexangular screw | 1 |
| 49.1 | GB889.1 M8 | Hexangular Self-locking nut | 5 |
| 50 | DL38G-L103A-00 | Limit bar jointing | 1 |
| 51 | | Rubber sponge sleeve | 1 |
| 52 | DL38G-L101A | Hanging bracket | 1 |
| 53 | TZ-8108 | Limit switch | 1 |
| 54 | TT-6835-A-200-06 | Pressure Spring | 4 |
| 55 | TT-6835-A-200-07 | Sheath hose | 4 |
| 56 | GB6170-2000 M10 | Hexangular nut | 4 |
| 57 | TT-6835-A-200-05 | Insu rance Gear Shaft | 4 |
| 58 | TT-6835-A-200-04 | Tooth Block | 4 |
| 59 | GB93-87 D6 | Spring washer | 8 |
| 60 | TT-6835-A-200-03 | Press Block | 4 |
| 61 | GB/T818 M6x12 | Cross screw | 8 |
| 62 | TT-6835-A-200-02 | Pin Shaft | 4 |
| 63 | TT-6835-A-200-01-00 | Carriage | 2 |
| 64 | TT-6835-100-02NEW | Cylinder cover | 10 |
| 65 | XG4.5A05-01-02 | Bracket-01 | 2 |
| 66 | XG4.5A05-01-01 | Idler wheel | 3 |
| 67 | TT9D-600-09-00 | Vitta support | 2 |
| 68 | TT-6835-A-500-01 | Steel cable L=10220 | 2 |
| 69 | TT-6835-A-500-01 | Cyli nder oil pipe | 1 |
| 70 | TT-6835-A-500-05 | Hy draulic Hose | 1 |
| 71 | TT-6934-500-02 | 3.8B cylinder joint | 2 |

| | | | |
|----|---------------------------------------|---|----|
| 72 | | M14 Combination washer | 4 |
| 73 | GB95-1985 D20 | Flat washer | 4 |
| 74 | GB6170-2000 M20 | Hexangular nut | 8 |
| 75 | TT-6134-500-02 | Hy draulic Hose | 1 |
| 76 | TT-6835-500-04 | T fitting | 1 |
| 77 | TT-6934-500-04 | Cylinder fitting | 1 |
| 78 | = | Safety steel cable $\varnothing 2.5$ | 1 |
| 79 | | Oil cylinder | 2 |
| 80 | GB5781-86 M8×25 | Hexangular bolt | 4 |
| 81 | GB97.2-85 D8 | Flat washer | 4 |
| 82 | GB93-87 D8 | Flat washer | 4 |
| 83 | GB6170-2000 M8 | Hexangular nut | 4 |
| 84 | TT-6835-100-03 | Wire retainer | 2 |
| 85 | $\varnothing 20 \times 200 \text{mm}$ | Anchor bolt $\varnothing 20 \times 200 \text{mm}$ | 10 |

Схема блок питания



| | | |
|----|--|--|
| N= | Overflow Valve(Control Pressure between 0~30MPa) | |
| 2 | Hose Fitting | |
| 3 | Annectent Spinde | |
| 4 | Single Valve | |
| 5 | Escape Oil Valve | |
| 6 | bolt | |
| 7 | Throttle Valve | |
| 8 | Escape Oil Hose | |
| 9 | Oil Box | |
| | | |
| 10 | Suction Oil Hose | |

| | | |
|----|---|---|
| 11 | Gear Pump(Overflow is 1.6ml/r,2ml/r,2.5ml/r) |  |
| 12 | Bumper Valve |  |
| 13 | Valve Seat |  |
| 14 | Motor |  |