

PART CATALOGUE

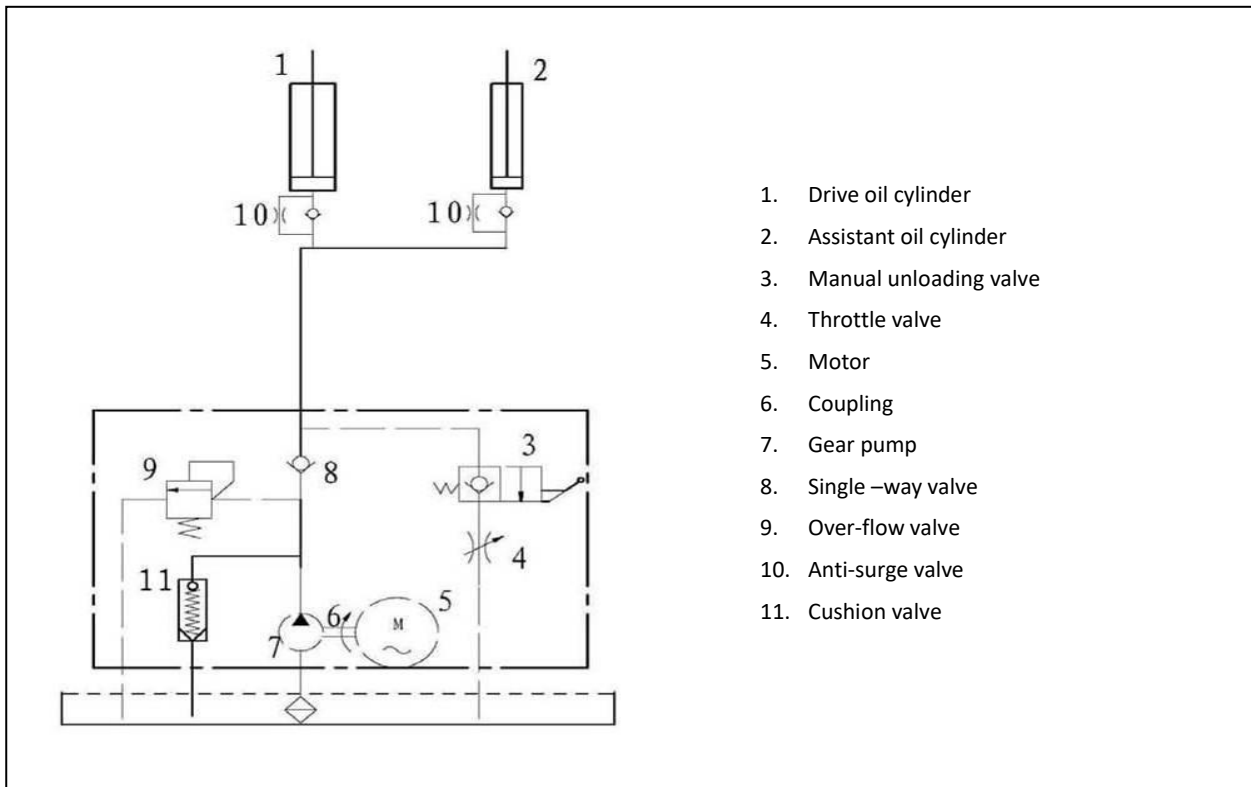
ПГА-4000-Э

**Hydraulic 2-post lift
гидравлический подъемник**

ANNEX Annex 1, Packing List of the whole lift

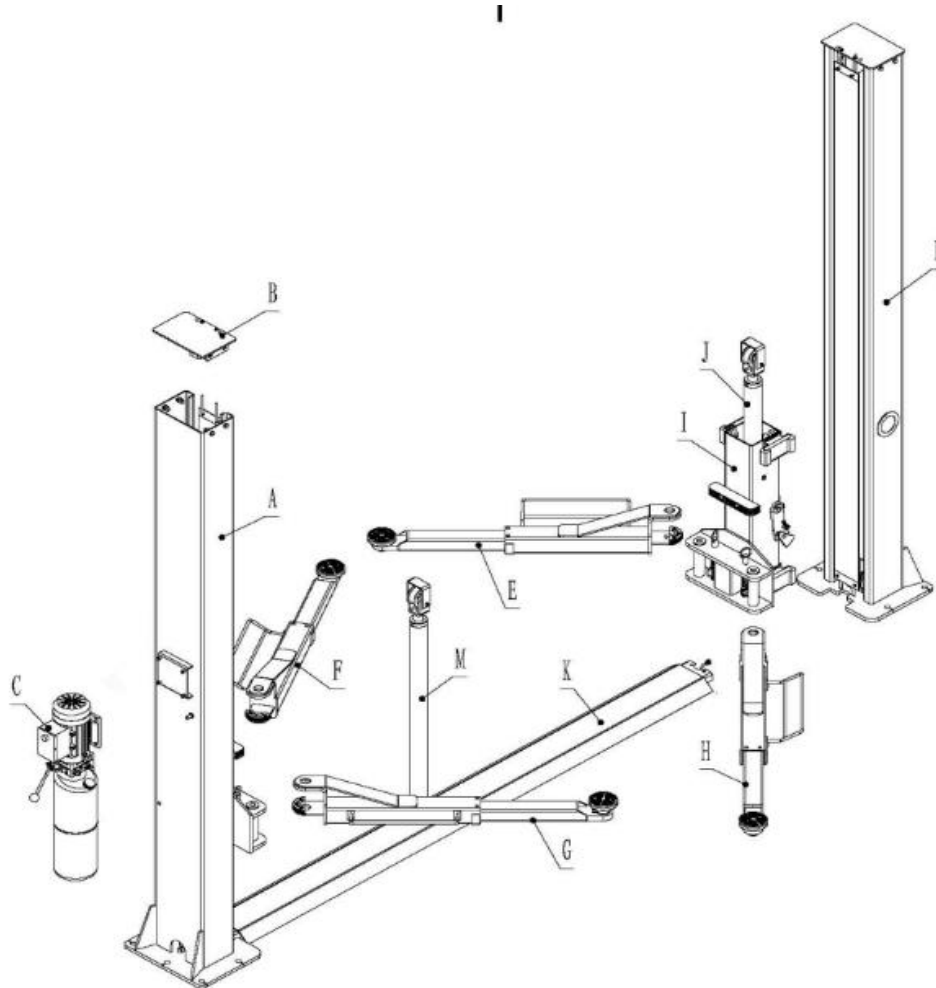
S/N	Name	Note	Qty
1	Power-side post		1pc
2	Post		2 pc
3	Carriage		2 pc
4	Lifting arm 1		2 set
5	Lifting arm 2		2 set
6	Oil cylinder		1 set
7	Drive oil cylinder		1 set
8	Power unit		1set
9	Base cover plate		1 pc
10	Steel cable	L=8660mm	2 pc
11	Long arm fender		2 pc
12	Short arm fender		2 pc
13	Shaft		4 pc
14	The carton includes the following parts	640*290*120mm	1 pc
15	Protection rubber pad		2 pc
16	Rubber oil hose	L=1443	1 pc
17	Rubber oil hose	L=2860	1 pc
18	Lifting tray		4 set
19	Plastic cover for service hole		2 pc
20	Anchor bolt	M18*160	10 set
21	Anchor bolt for base cover plate	M10	4 set
22	Hexagon bolt (Iron motor)	M8*16	4 pc
23	Flat washer	Ø5	4 pc
24	Flat washer	Ø8	4 pc
25	Cross socket flat head screw	M8*20	8 pc
26	Hex socket button head screw	M5*10	4 pc
27	Hex socket button head screw	M4*26	2 pc
28	Hex nut	M8	4 pc
29	Jump ring	Ø50	4 pc
30	Circlip	Ø30	4 pc

Annex 3, Hydraulic working system

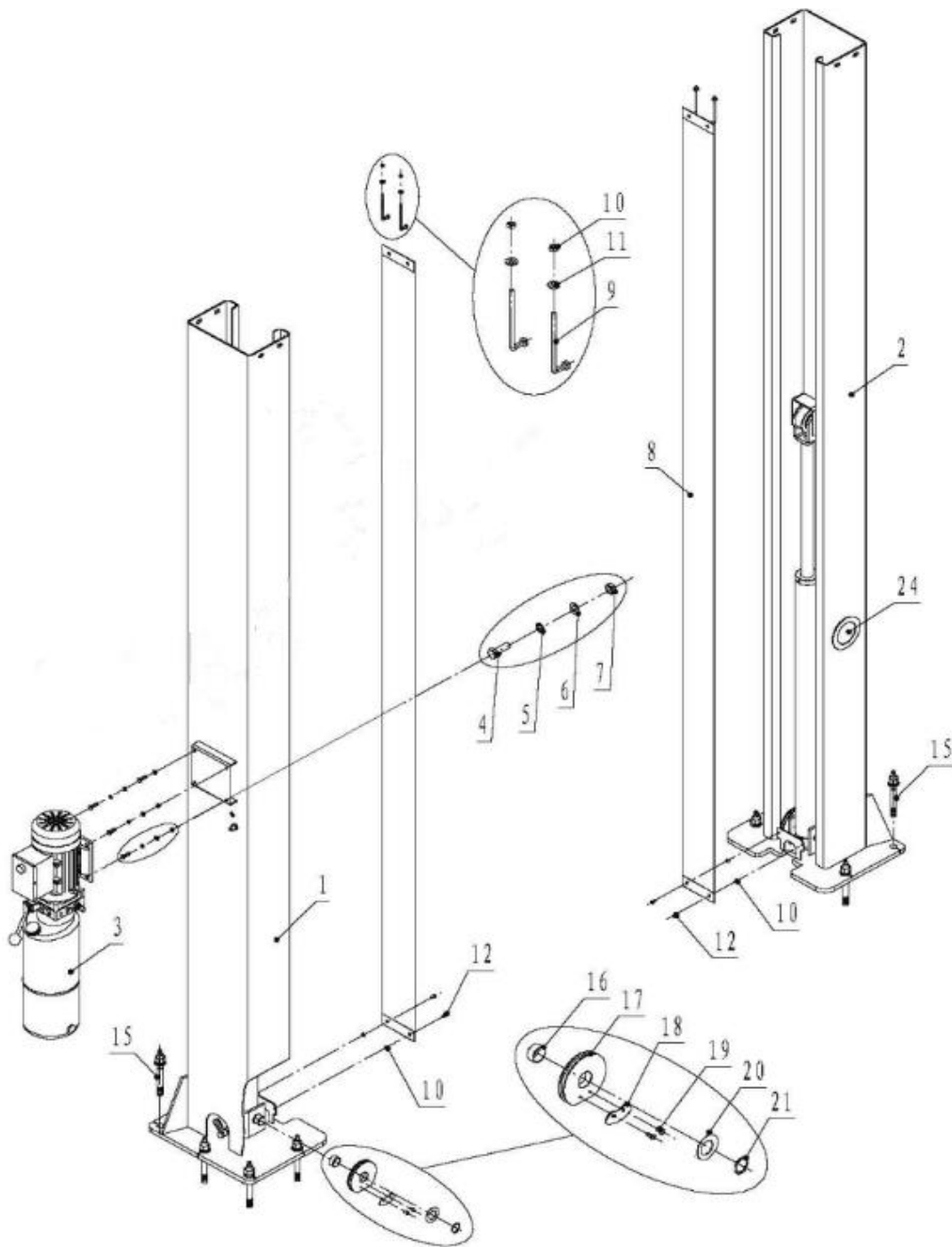


- 1. Drive oil cylinder
- 2. Assistant oil cylinder
- 3. Manual unloading valve
- 4. Throttle valve
- 5. Motor
- 6. Coupling
- 7. Gear pump
- 8. Single-way valve
- 9. Over-flow valve
- 10. Anti-surge valve
- 11. Cushion valve

Annex 4, Explosion

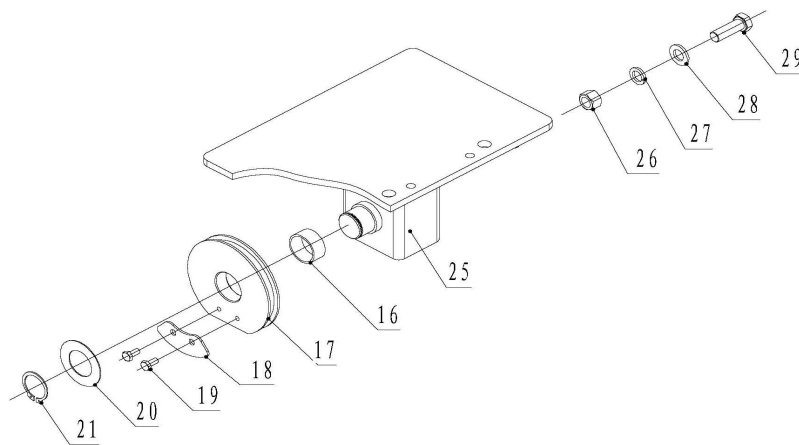


NO.	Material number	Drawing number	Name	Qty	Material	Remarks
1	A	Non	Two post car lift main column assembly	1	Assembly parts	
2	B	Non	Two post car lift top plate assembly	2	Assembly parts	
3	C	Non	Control box assembly	1	Outsourcing	
4	D	Non	Power unit assembly	1	Outsourcing	
5	E	Non	Short arm assembly left	1	Assembly parts	
6	F	Non	Short arm assembly right	1	Assembly parts	
7	G	Non	Long arm assembly left	1	Assembly parts	
8	H	Non	Short arm assembly right	1	Assembly parts	
9	I	Non	Carriage assembly	2	Assembly parts	
10	J	Non	Sub hydraulic cylinder assembly	1	Assembly parts	
11	K	XH-6240HE-4000-00	Guard plate welding	1	Welding parts	
12	L	Non	Sub column assembly	1	Assembly parts	
13	M	Non	Main hydraulic cylinder assembly	1	Assembly parts	

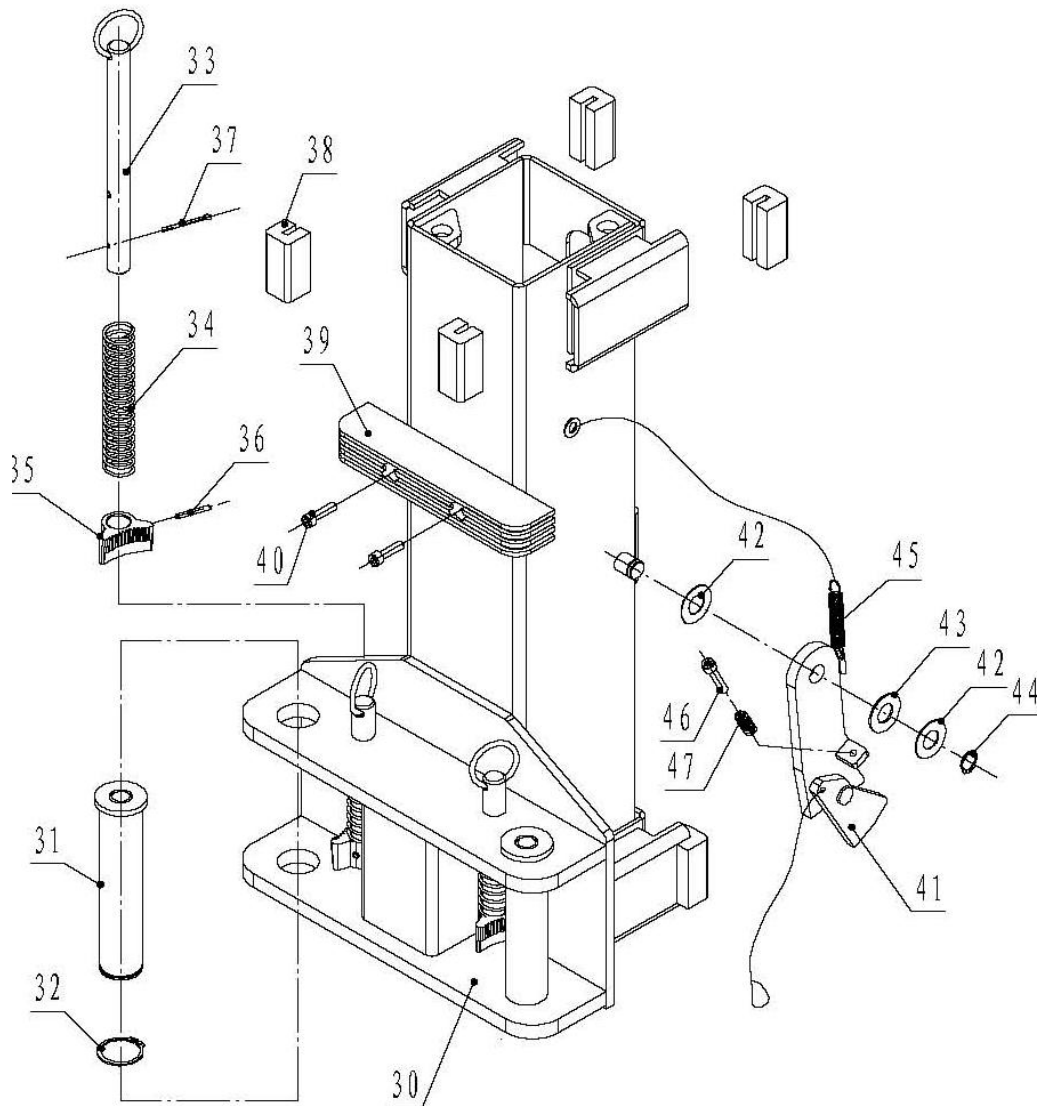


NO.	Number	Drawing number	Name	Qty	Material	Remarks
1	1	XH-6240P3-1000-00	Main column welding	1	Welding	
2	2	XH-6240P3-1000-00A	Sub column welding	1	Welding	
3	3	Non	Power unit	1	Outsourcing	
4	4	Non	M8X25 External hexagonal screw	4	Standard parts	Galvanized
5	5	Non	M8 Spring washers	4	Standard parts	Galvanized
6	6	Non	M8 Flat washers	4	Standard parts	Galvanized
7	7	Non	M8 Nut	4	Standard parts	Galvanized
NO.	Material	Drawing number	Name	Qua	Material	Remarks

	number			ntity		
8	8	XH-6240HE-1000-03	chain curtain	2	Outsourcing	
9	9	XH-6240ELL-1000-11	curtain hook	4	Outsourcing	Galvanized
10	10	Non	M6 Nut	8	Standard parts	Galvanized
11	11	Non	M8 Spring washers	4	Standard parts	Galvanized
12	12	Non	M6*12 Cross head screw	4	Standard parts	Galvanized
15	15	Non	Anchor bolts M18x160	10	Outsourcing	
16	16	Non	Oilless bearing SF-3015	6	Outsourcing	
17	17	XH-6240HPA-1000-02	Up and down Rope wheel	6	Outsourcing	Galvanized
18	18	XH-6240HPA-1000-03	Up and down Rope wheel catch	6	Outsourcing	Galvanized
19	19	Non	M6*10 External hexagonal screw	12	Standard parts	Galvanized
20	20	XH-6240PLL-1000-09	Up and down Rope wheel washer	6	Outsourcing	Galvanized
21	21	Non	Wild card \varnothing 30	6	Standard parts	
24	24	XH-6240PLL-1000-08	Cover	2	Outsourcing	

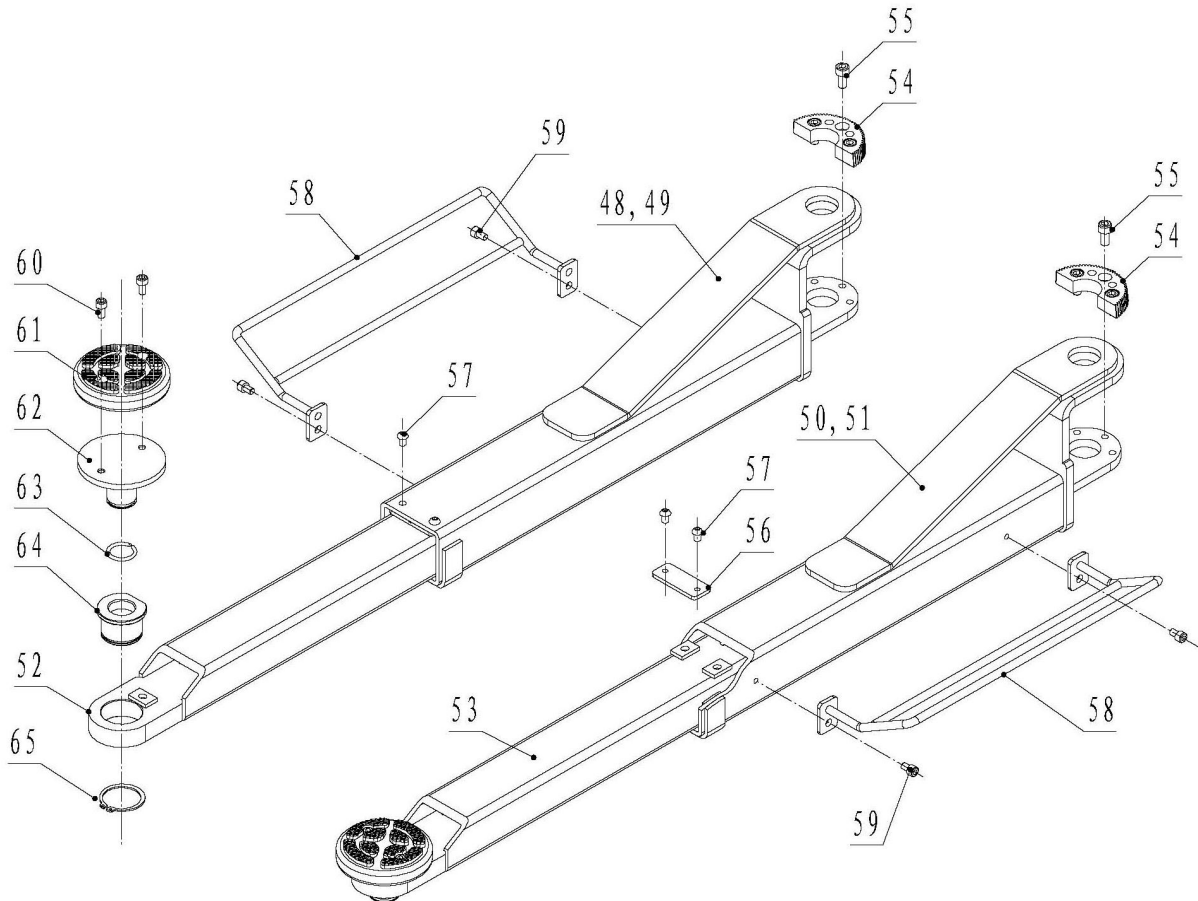


NO.	Number	Drawing number	Name	Qty	Material	Remarks
1	25	XH-6240HE-1000-04	Column top plate welding	2	Welding parts	
2	26	Non	M12 External hexagonal nut	8	Standard parts	Galvanized
3	27	Non	M12 Spring washers	8	Standard parts	Galvanized
4	28	Non	M12 Flat washers	8	Standard parts	Galvanized
5	29	Non	M12*35 External hexagonal screw	8	Standard parts	Galvanized



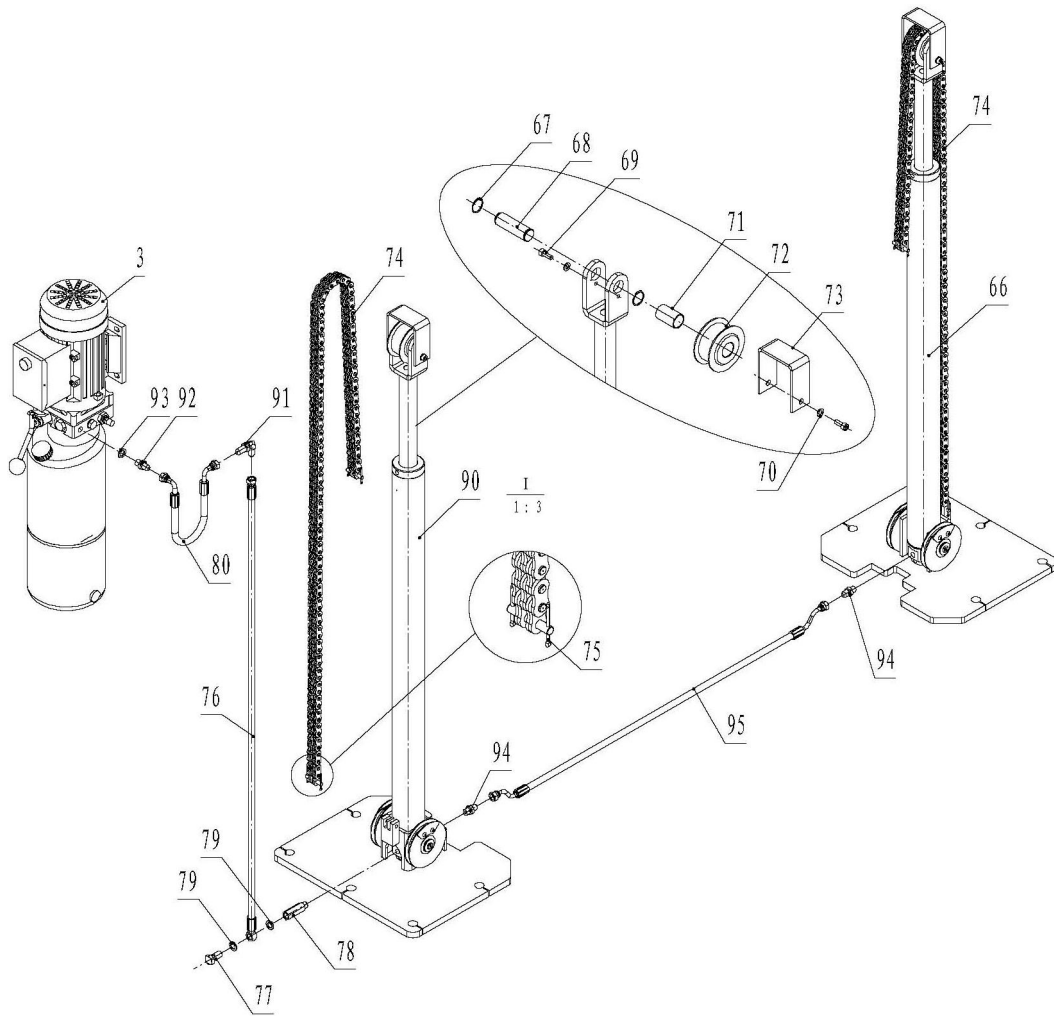
NO	Number	Drawing number	Name	Qty	Material	Remarks
1	30	XH-6240HP-7000-00	With chain curtain carriage welding	2	Welding parts	
2	31	XH-6240HE-2000-02	Shaft pin welding	4	Outsourcing parts	Galvanized
3	32	Non	Wild card \varnothing 40	4	Outsourcing parts	Turn black
4	33	XH-6240HE-2000-03	Shaft pin	4	Outsourcing parts	Galvanized
5	34	XH-6240HE-2000-04	Pressure spring	4	Outsourcing parts	Galvanized
6	35	XH-6240HE-2000-05	Arm lock teeth	4	Outsourcing parts	Galvanized
7	36	Non	\varnothing 5X35 Elastic cylinder pin	4	Standard parts	Turn black
8	37	Non	\varnothing 4X40 Cotter	4	Standard parts	Galvanized
9	38	XH-6240PLL-2000-10	Carriage	16	Outsourcing parts	
10	39	XH-6240PLL-2000-13	Chain guard	2	Outsourcing parts	
11	40	Non	M8X30 External hexagonal screw	4	Standard parts	Galvanized
12	41	XH-6240PLL-2000-09A	Safety lock assembly	2	Outsourcing parts	Galvanized
13	42	XH-6240PLL-2000-09-08 A	Safety lock washer A	4	Outsourcing parts	Galvanized

14	43	XH-6240PLL-2000-09-08	Safety lock washer	2	Outsourcing parts	Galvanized
15	44	Non	Wild card $\varnothing 19$	2	Standard parts	Turn black
16	45	XH-6240PLL-2000-09-06	Safety lock pressure spring	2	Outsourcing parts	Turn black
17	46	Non	M8*40 External hexagonal screw	2	Standard parts	Galvanized
18	47	XH-6240PLL-2000-12	Safety lock tension spring	2	Outsourcing parts	Turn black



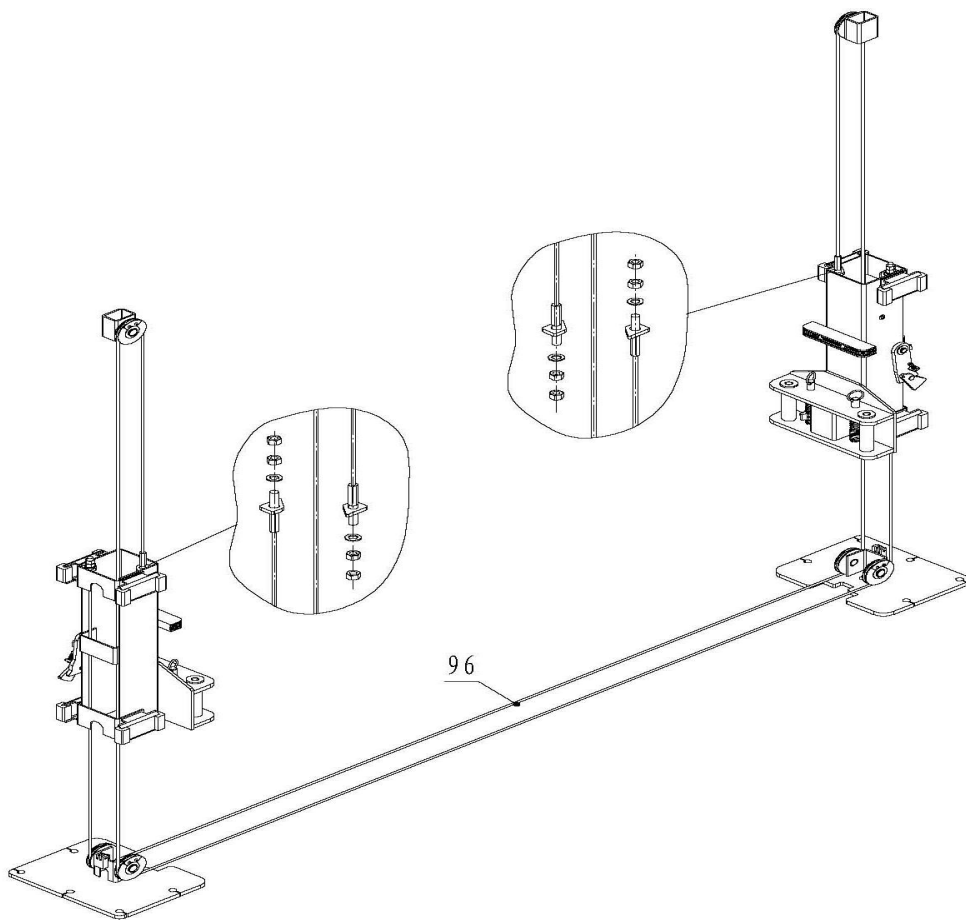
NO	Number	Drawing number	Name	Qty	Material	Remarks
1	48	XH-8240HSD-3000-00B	Long external tube welding left	1	Welding	
2	49	XH-8240HSD-3000-00D	Short arm external tube welding left	1	Welding	
3	50	XH-8240HSD-3000-00A	Long external tube welding right	1	Welding	
4	51	XH-8240HSD-3000-00E	Short arm external tube welding right	1	Welding	
5	52	XH-8240HSD-3000-00C	Long arm inner tube	2	Welding	

			welding			
6	53	XH-8240HSD-3000-00F	Short arm inner tube welding	2	Welding	
7	54	XH-6240HE-3000-09	Arm lock semicircle teeth	4	Outsourcing	Galvanized
8	55	Non	M10X20 Inner hexagonal screw	12	Standard parts	Turn black
9	56	XH-8240HSD-3000-03	Inner tube catch	4	Self-made	Galvanized
10	57	Non	M8*12 Inner hexagonal flat head screw	8	Standard parts	Turn black
11	58	XH-8240SD-3000-03-00	Foot protection welding	4	Welding	
12	59	Non	M8*12 Inner hexagonal screw	8	Standard parts	Turn black
13	60	Non	M8X16 Inner hexagonal screw	8	Standard parts	Turn black
14	61	XH-6240PLL-3000-28-02	Circle lifting pad rubber pad	4	Outsourcing	
15	62	XH-6240PLL-3000-28-01	Circle lifting pad	4	Outsourcing	Galvanized
16	63	XH-6240PLL-3000-28-04	Steel wire check ring for shaft	4	Outsourcing	Galvanized
17	64	XH-6240PLL-3000-28-03	Lifting pad screw sleeve	4	Outsourcing	Galvanized
18	65	Non	∅ 50 wild card	4	Standard parts	Turn black



NO	Number	Drawing number	Name	Qty	Material	Remarks
1	66	XH-6240PLL-5000-01	Single hole hydraulic cylinder	1	Outsourcing	
2	67	Non	∅ 25 wild card	4	Standard parts	
3	68	XH-6240PLL-5000-03	Chain wheel shaft	2	Outsourcing	Galvanized
4	69	Non	M8*20 Inner hexagonal screw	4	Standard parts	Galvanized
5	70	Non	M8 Flat washers	4	Standard parts	Galvanized
6	71	Non	SF-2545 Oilless bearing	2	Outsourcing	
7	72	XH-6240PLL-5000-02	Chain wheel	2	Outsourcing	Galvanized
8	73	XH-6240PLL-5000-04	Chain derailment bracket	2	Self-made	
9	74	XH-6240PLL-5000-05	Chain	2	Outsourcing	
10	75	Non	∅ 3X35 Cotter	8	Standard parts	Galvanized
11	76	XH-6240PLL-6000-06	Double column hydraulic cylinder and hydraulic hose 1270	1	Outsourcing	
12	77	XH-6240PLL-6000-02	Double column series tubing joint	1	Outsourcing	Galvanized
13	78	XH-6240PLL-6000-03	Double column clear floor type direct joint	1	Outsourcing	Galvanized

14	79	Non	M14 Combined washer	2	Standard parts	
15	80	XH-6240PLL-6000-04	Double column clear floor type Pump hydraulic hose 320	1	Outsourcing	Galvanized
16	90	XH-6240HE-5000-01	Double hole hydraulic cylinder	1	Outsourcing	
17	91	XH-6240HE-6000-01	Electric double column fixed joint	1	Outsourcing	Galvanized
18	92	XH-6435-6000-02	three-way valve joint	1	Outsourcing	Galvanized
19	93	Non	M14 Combined washer	1	Outsourcing	
20	94	XH-6240HE-6000-02	hydraulic cylinder joint	2	Outsourcing	
21	95	XH-6240HE-6000-04	hydraulic hose 2860	2	Outsourcing	



NO.	Number	Number	Name	Qty	Material	Remarks
1	96	XH-6240HPA-6000-01	Steel cable 8720	2	Outsourcing parts	