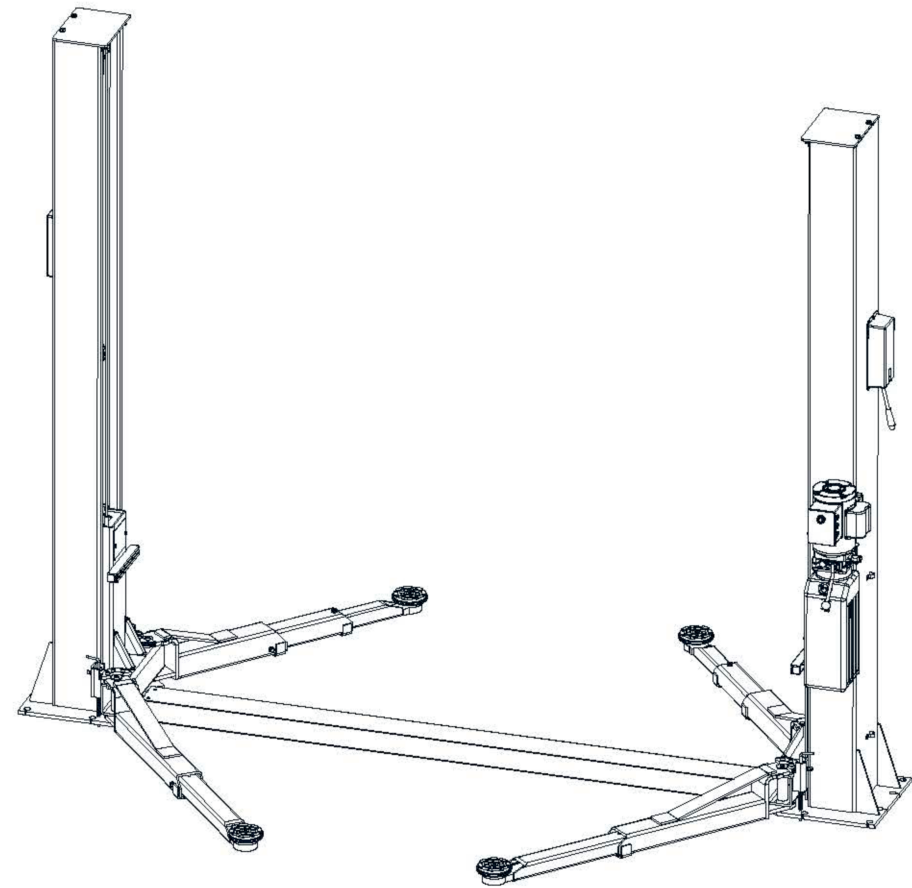
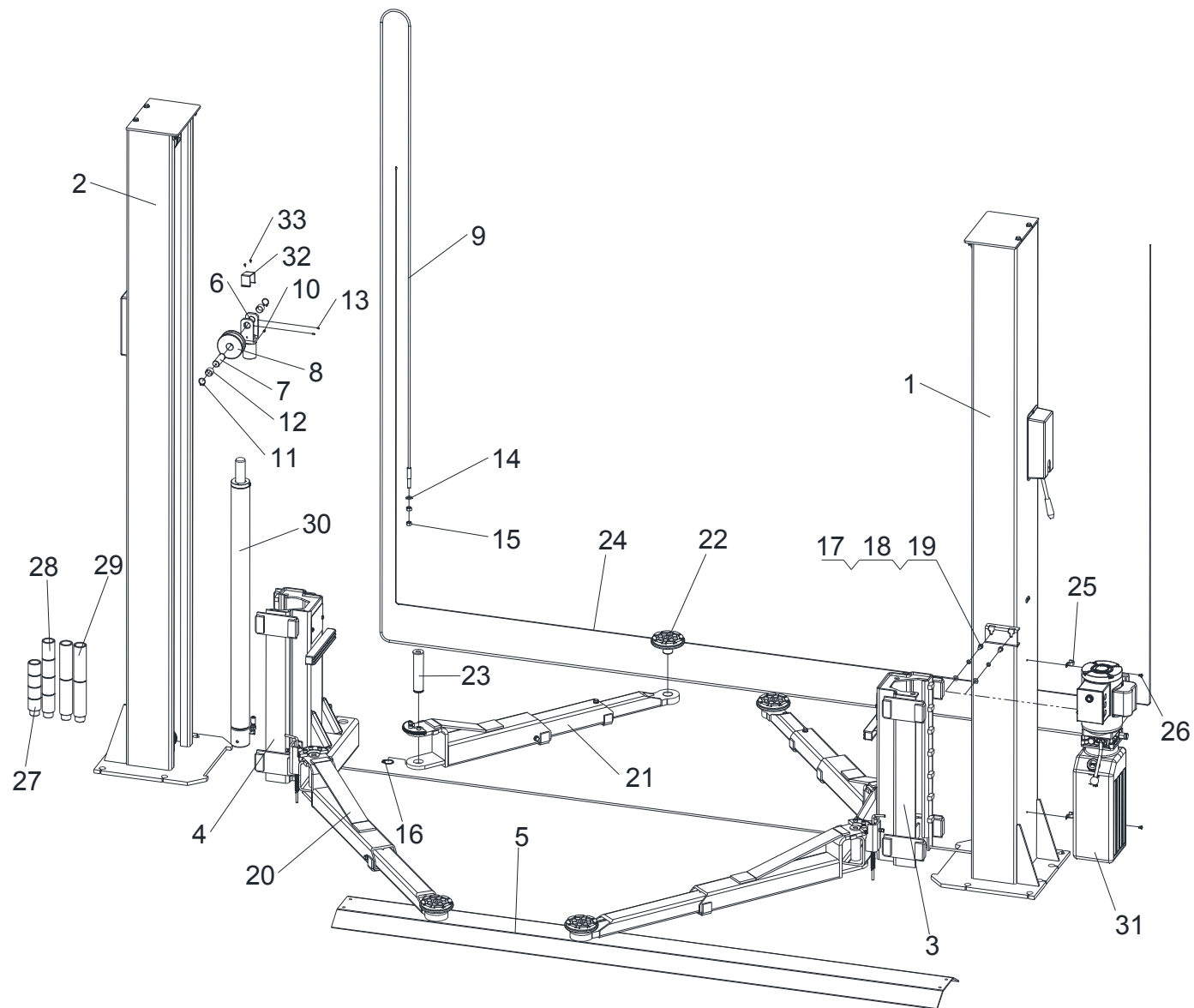


PART CATALOGUE
ΠΓΑ-4000-HC
TWO POST LIFT



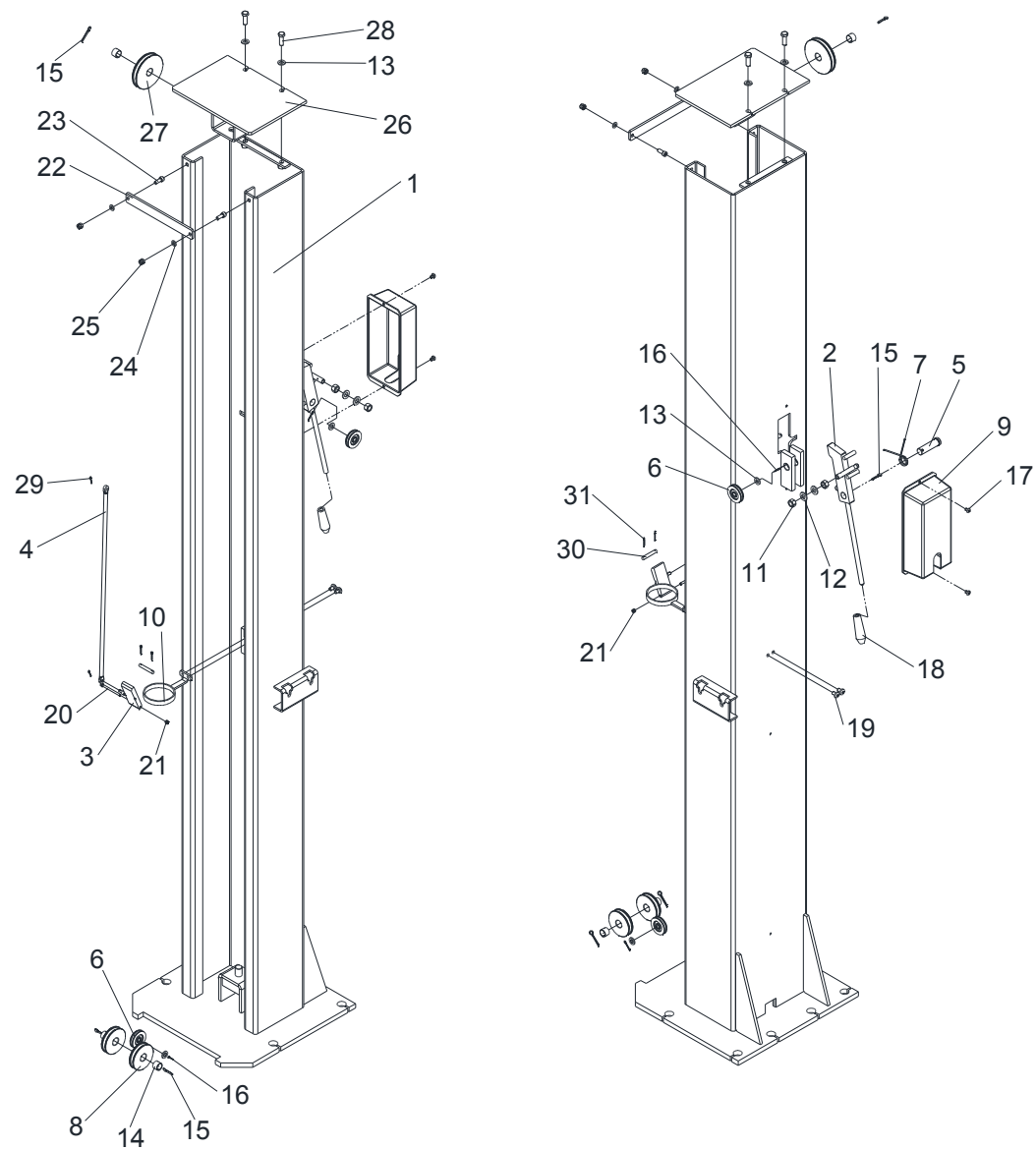


TAV.0	LIFT	ED. 01/19
-------	------	-----------

ITEM	PART NO.	DESCRIPTION	QTY	REMARK
1	Z11B110000	Power-side column	1	
2	Z11B120000	Off-side column	1	
3	Z11B210000	Main carriage assembly	1	
4	Z11B220000	Slave carriage assembly	1	
5	Z11B400001	Base plate	1	
6	Z31A600100	Pulley base	2	
7	XSZ-7-11Y	Pulley shaft	2	
8	Z31A600002	Pulley	2	
9	Z11B500000	Equalizer steel cable	2	
10	0209037	Screw M6X10 - GB/T80	2	
11	0212004	Seeger D.25 - GB/T894.1	4	
12	0210008	Self-lubricated bush 2520	4	
13	0209017	Screw M4X8 - GB/T80	4	
14	0205013	Washer D.12 - GB/T97.1	4	
15	0203023	Nut M12 - GB/T6170	8	
16	0212023	Seeger D.38	4	
17	0201062	Screw M10X20 - GB/T5783	2	
18	0208007	Locking washer D.10 - GB/T93	2	
19	0205011	Washer D.10 - GB/T97.1	2	
20	Z31B320000	Long arm assembly	2	
21	Z31B310000	Short arm assembly	2	
22	Z31B330000	Lifting adaptor	4	
23	Z31B000100	Arm shaft	4	
24	Z11B510000	Safety release wire	1	
25	Z11B503101	Pipe clamp	2	
26	0206036	Screw M6X8 - GB/T818	2	
27	XSZ-7-5-1	Adaptor extension H.50	4	

TAV.0	LIFT		ED. 01/19
-------	------	--	-----------

28	XSZ-7-5-2	Adaptor extension H.75	4
29	XSZ-7-5-3	Adaptor extension H.150	4
30	Z31AY63000	Hydraulic cylinder	2
31	0302014	Hydraulic power unit	1
32	Z11A540102	Chain collar	2
33	0206023	Screw M4X8	4

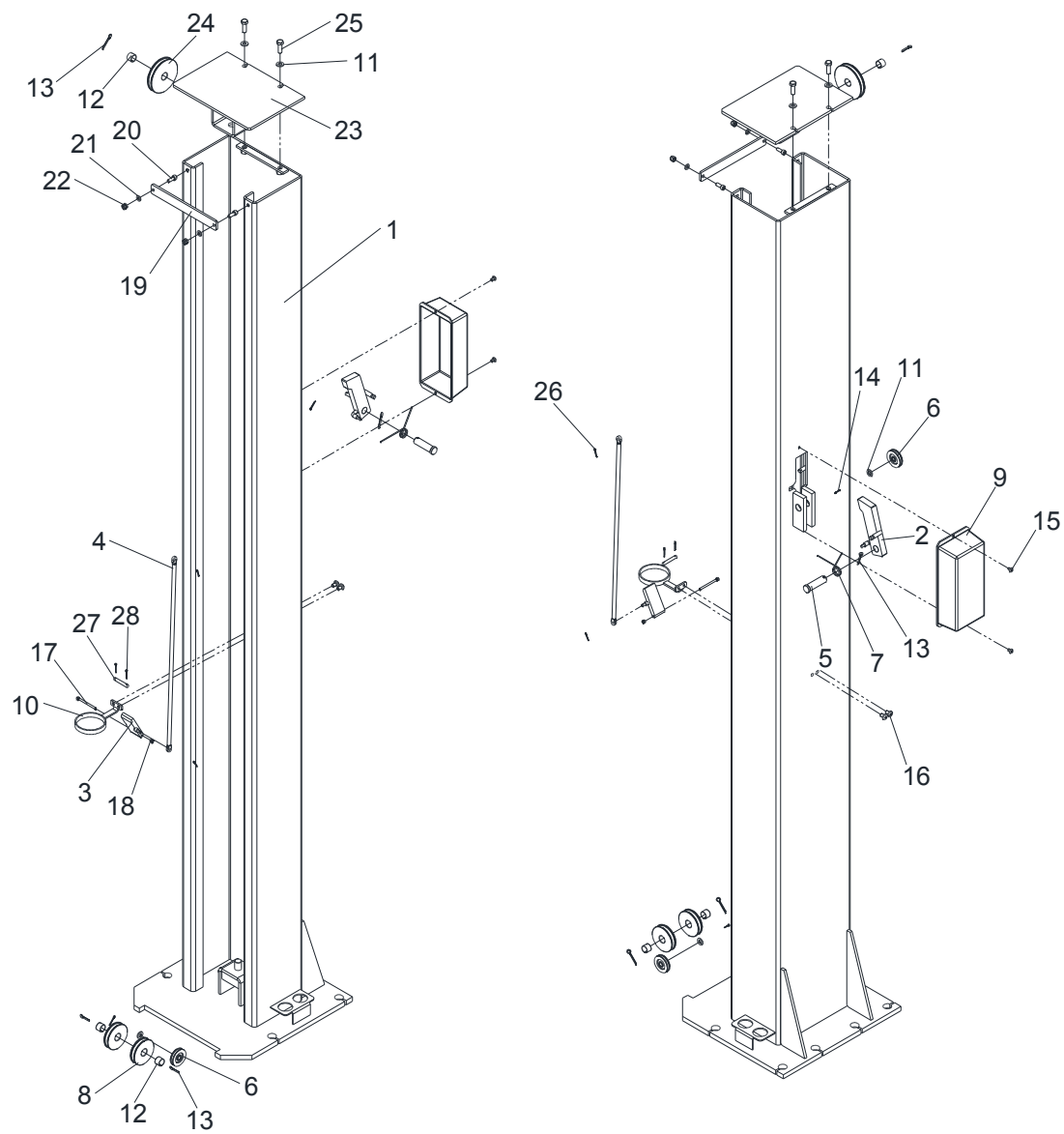


TAV.1.0	POWER-SIDE COLUMN	ED. 01/19
---------	-------------------	-----------

ITEM	PART NO.	DESCRIPTION	QTY	REMARK
1	Z11B111000	Main Column	1	
2	Z11B113000	Safety rack	1	
3	Z11B114000	Safety hook	1	
4	Z11B110002	Connection rod	1	
5	Z31A110001	Shaft	1	
6	Z31A110004	Roller	2	
7	Z31A110002	Spring	1	
8	Z31A110005	Lower pulley	2	
9	Z31A110003	ABS cover with hole	1	
10	Z11B115000	Support	1	
11	0203023	Nut M12 - GB/T6170	2	
12	0205013	Washer D.12 - GB/T97.1	2	
13	0205011	Washer D.10 - GB/T97.1	4	
14	0210112	Bush SF-1	3	
15	0213035	Pin 4X30	4	
16	0213044	Pin 2X20	2	
17	0206036	Screw M6X8 - GB/T818	2	
18	0606216	Handle cover	1	
19	0206001	Screw M8X12 - GB/T818	2	
20	0202136	Screw M5X65 - GB/T70.1	1	
21	0204002	Nut M5 - GB/T889.1	1	
22	Z11B110003	Connection plate	1	
23	0202045	Screw M8X20 - GB/T70.1	2	
24	0205008	Washer D.8 - GB/T97.1	2	
25	0204004	Nut M8 - GB/T889.1	2	
26	Z11B112000	Top cover	1	
27	Z11B110004	Upper pulley	1	

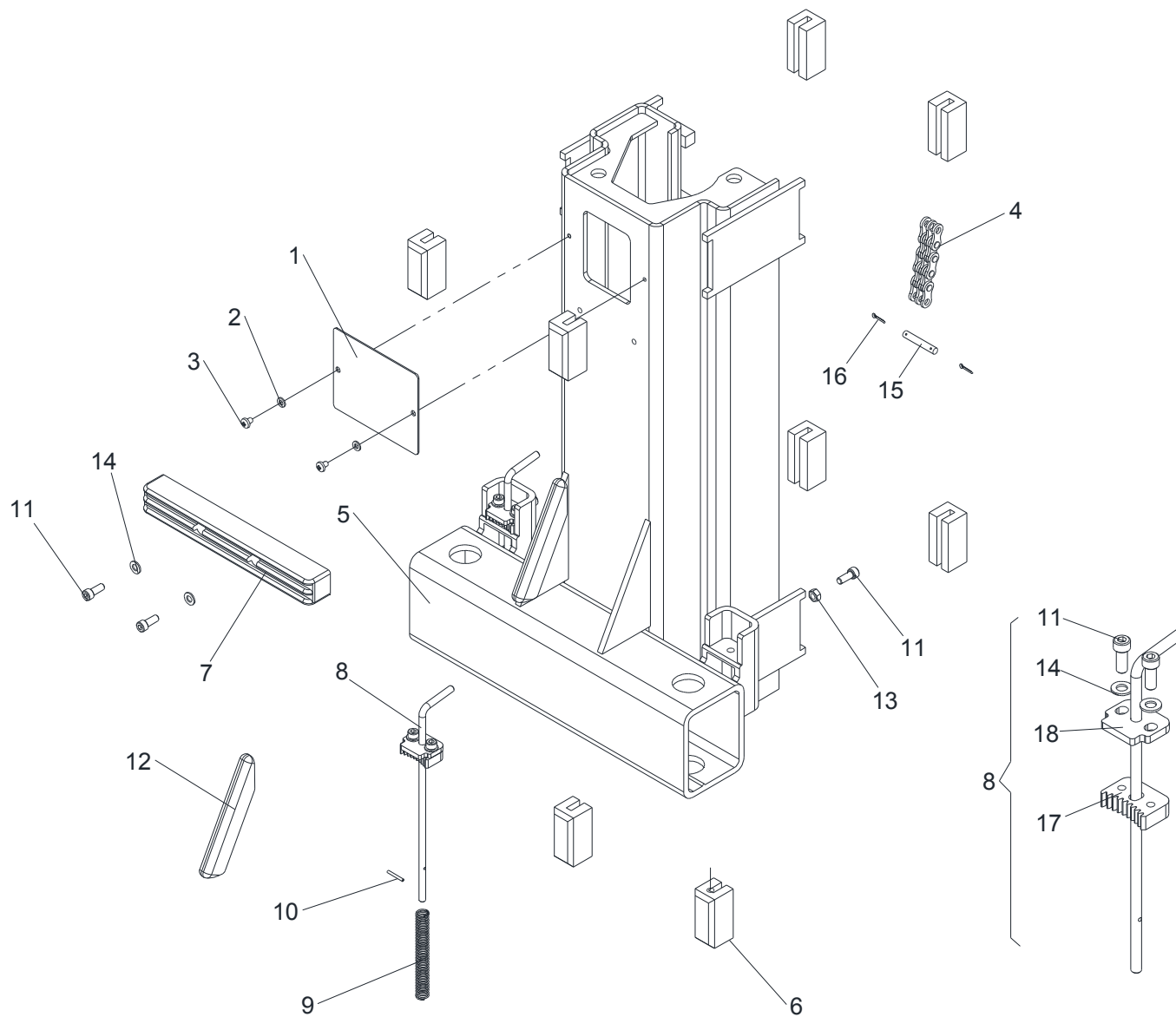
TAV.1.0	POWER-SIDE COLUMN	ED. 01/19
---------	-------------------	-----------

28	0201049	Screw M10X30 - GB/T5783	2
29	0213054	Pin 2X16	2
30	XSZ-7-12	Chain pin	1
31	0213044	Split pin 2X20 - GB/T91	2



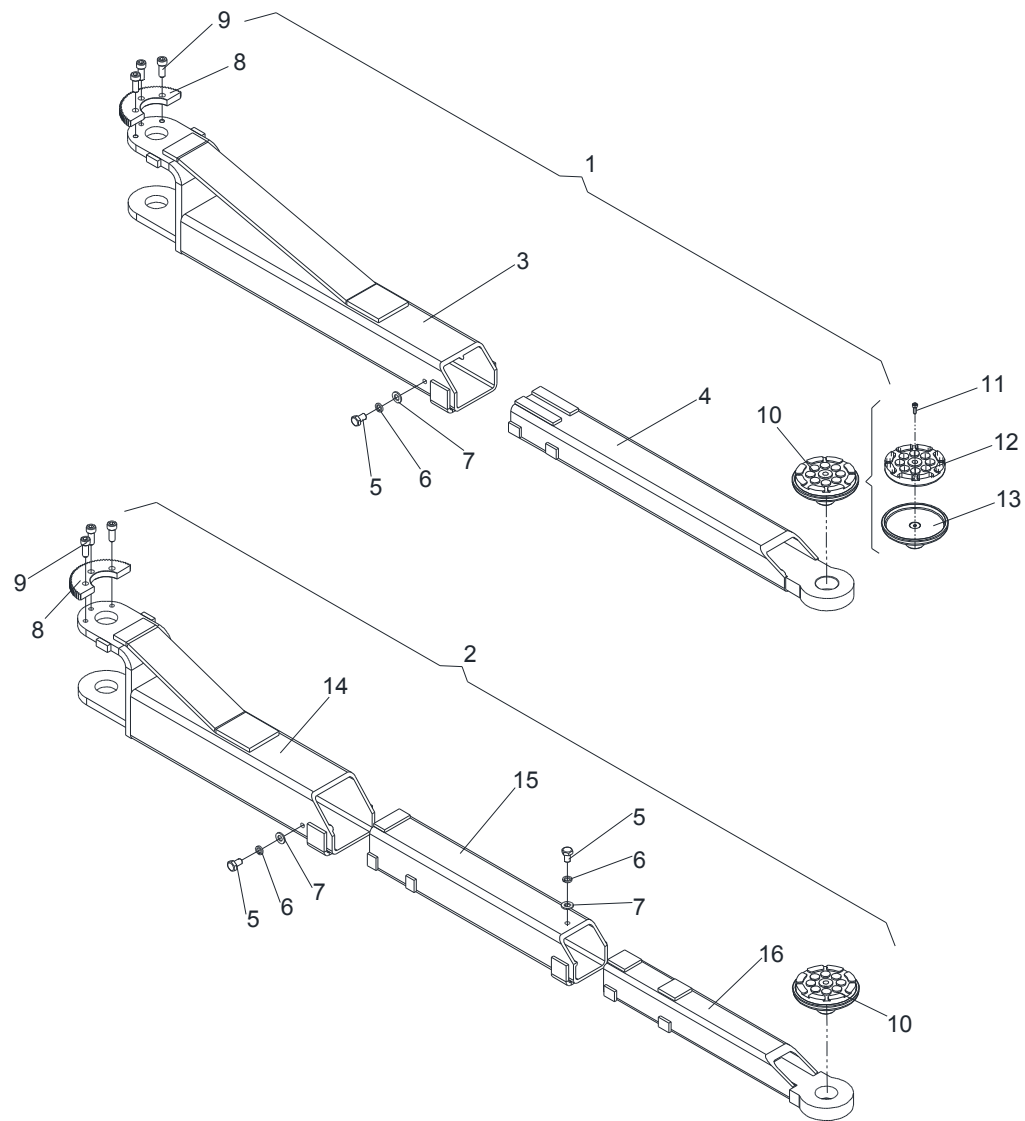
TAV.2.0	OFF-SIDE COLUMN	ED. 01/19
---------	-----------------	-----------

ITEM	PART NO.	DESCRIPTION	QTY	REMARK
1	Z11B121000	Slave Column	1	
2	Z11B122000	Safety rack	1	
3	Z11B123000	Safety hook	1	
4	Z11B110002	Connection rod	1	
5	Z31A110001	Shaft	1	
6	Z31A110004	Roller	2	
7	Z31A110002	Spring	1	
8	Z31A110005	Lower pulley	2	
9	Z31A110003A	ABS cover	1	
10	Z11B115000	Support	1	
11	0205011	Washer D.10 - GB/T97.1	4	
12	0210112	Bush SF-1	3	
13	0213035	Pin 4X30	4	
14	0213044	Pin 2X20	2	
15	0206036	Screw M6X8 - GB/T818	2	
16	0206001	Screw M8X12 - GB/T818	2	
17	0202136	Screw M5X65 - GB/T70.1	1	
18	0204002	Nut M5 - GB/T889.1	1	
19	Z11B110003	Connection plate	1	
20	0202045	Screw M8X20 - GB/T70.1	2	
21	0205008	Washer D.8 - GB/T97.1	2	
22	0204004	Nut M8 - GB/T889.1	2	
23	Z11B112000	Top cover	1	
24	Z11B110004	Upper pulley	1	
25	0201049	Screw M10X30 - GB/T5783	2	
26	0213054	Pin 2X16	2	
27	XSZ-7-12	Chain pin	1	
28	0213044	Split pin 2X20 - GB/T91	2	



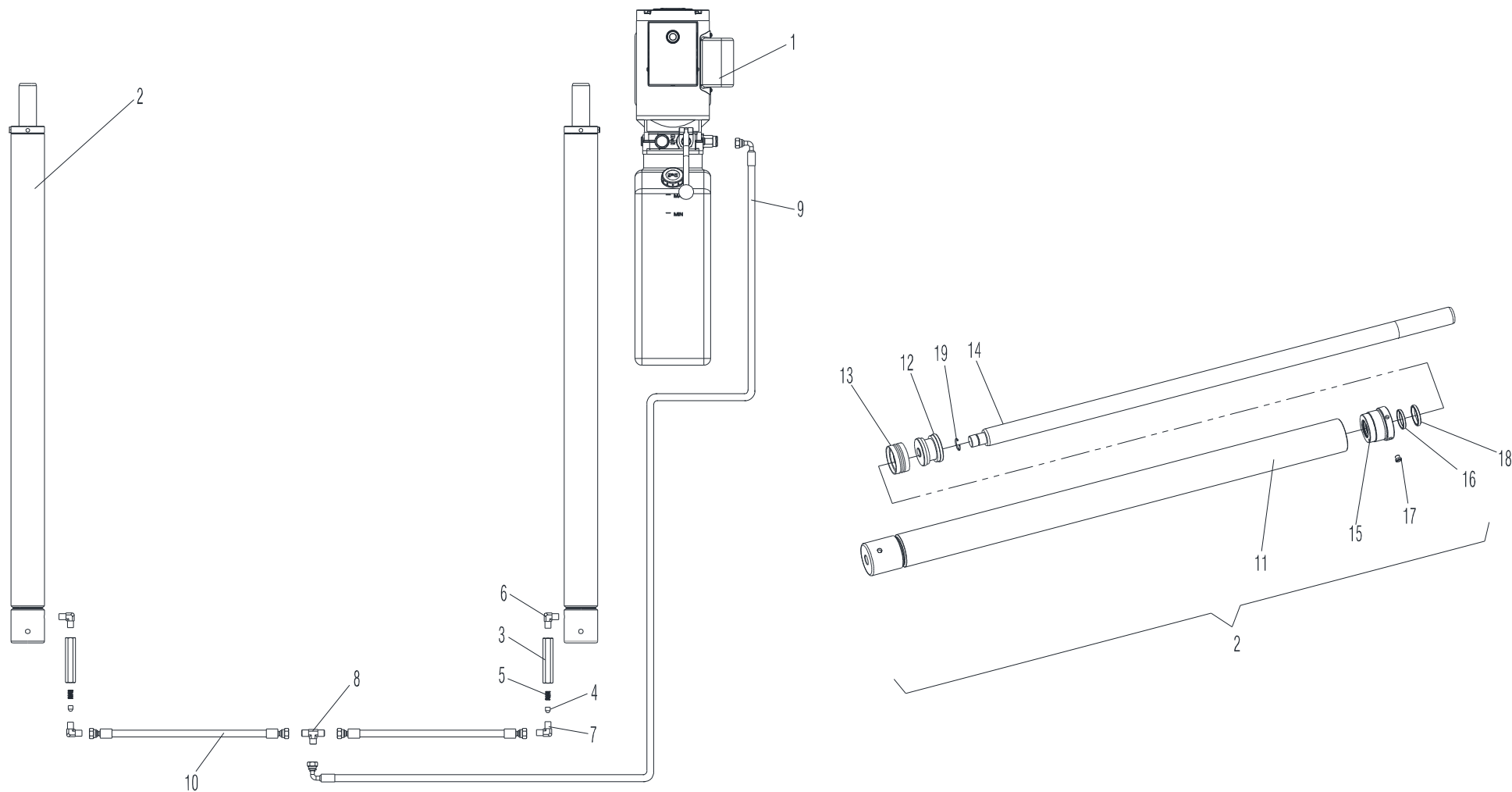
TAV.3.0/4.0	CARRIAGE	ED. 01/19
-------------	----------	-----------

ITEM	PART NO.	DESCRIPTION	QTY	REMARK
1	Z31A210002	Cover	1	
2	0205006	Washer D.6 - GB/T97.1	2	
3	0206036	Screw M6X8 - GB/T818	2	
4	0215125	Chain BL634X73	1	
5a	Z11B211000	Carriage	1	For Main carriage assembly
5b	Z11B221000	Carriage	1	For Slave carriage assembly
6	Z31A210001	Slider	8	
7	Z23B711001	Rubber pad	1	
8	XSZ-6-00Y	Arm safety	2	
9	XSZ-6-5	Spring	2	
10	0213002	Elastic pin 3X26 - GB/T879.1	2	
11	0202045	Screw M8X20 - GB/T70.1	4	
12	Z31A210003	Protection cover	2	
13	0203029	Nut M8 - GB/T6170	2	
14	0205008	Washer D.8 - GB/T97.1	2	
15	XSZ-7-12	Chain pin	1	
16	0213044	Split pin 2X20 - GB/T91	2	
17	XSZ-6-7TY	Toothed plate	1	
18	XSZ-6-4Y	Release pin	1	



TAV.20.0/21.0	ARM + ADAPTOR	ED. 01/19
---------------	---------------	-----------

ITEM	PART NO.	DESCRIPTION	QTY	REMARK
1	Z31B320000	Long arm assembly	1	
2	Z31B310000	Short arm assembly	1	
3	Z31B321000	Long arm frame	1	
4	Z31B322000	Long arm outer extension	1	
5	0201059	Screw M10X16 - GB/T5783	3	
6	0208007	Locking washer D.10 - GB/T93	3	
7	0205011	Washer D.10 - GB/T97.1	3	
8	XSZ-3-1TY	Anti-rotating gear	2	
9	0202120	Screw M10X25 - GB/T70.1	6	
10	Z31B330000	Lifting adaptor	2	
11	0202032	Screw M6X16 - GB/T70.1	1	
12	Z31B330001	Round rubber pad	1	
13	Z31A321000	Pad support	1	
14	Z31B311000	Short arm frame	1	
15	Z31B312000	Short arm middle extension	1	
16	Z31B313000	Short arm outer extension	1	



TAV.31.0

HYDRAULIC LINE

ED. 01/19

ITEM	PART NO.	DESCRIPTION	QTY	REMARK
1	0302014	Hydraulic power unit	1	
2	Z31AY63000	Hydraulic cylinder	2	
3	7B-04-98	Union	2	
4	6432-Y1.5	Flow restrictor	2	
5	7530-Y-3	Spring	2	
6	0303031	90° fitting 1/4	2	
7	0303002	90° union 1/4 (1BT9-04SP)	2	
8	0303021	Tee union 1/4	1	
9	WW2850	Hydraulic pipe L=2850	1	
10	ZZ1385	Hydraulic pipe L=1385	2	
11	Z31AY63100	Cylinder liner	1	
12	Z31AY63001	Piston	1	
13	0312012	Gasket 63X47X18.4	1	
14	Z31AY63004	Piston rod	1	
15	SYJ-30-63-6	Cylinder guiding cover	1	
16	0305005	Guiding ring 38X5.6X2.5	1	
17	0306087	Silencer 1/8	1	
18	0311007	Scraper 38X46X5/6.5	1	
19	0211032	Seeger D.25	1	