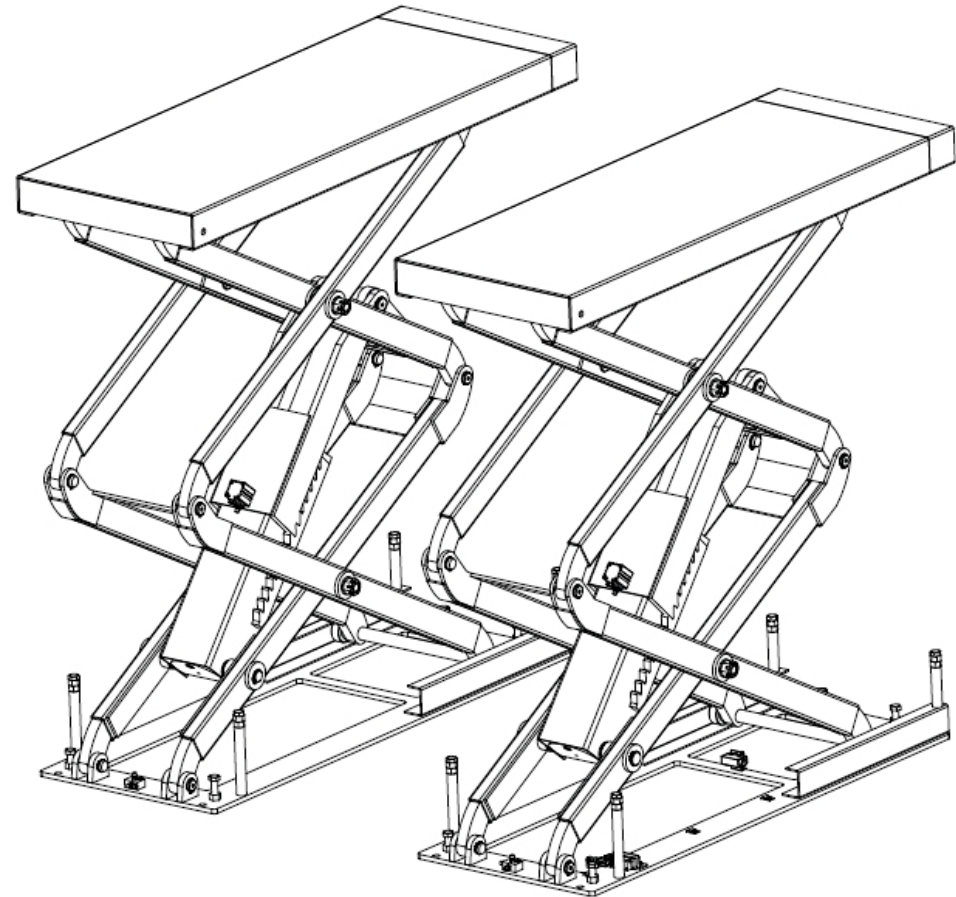


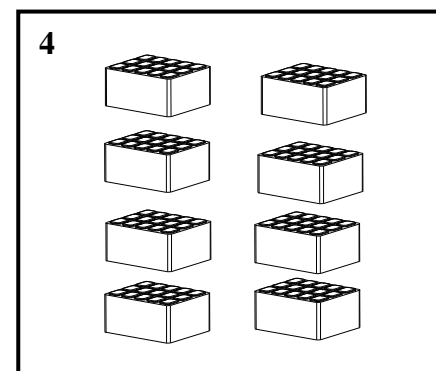
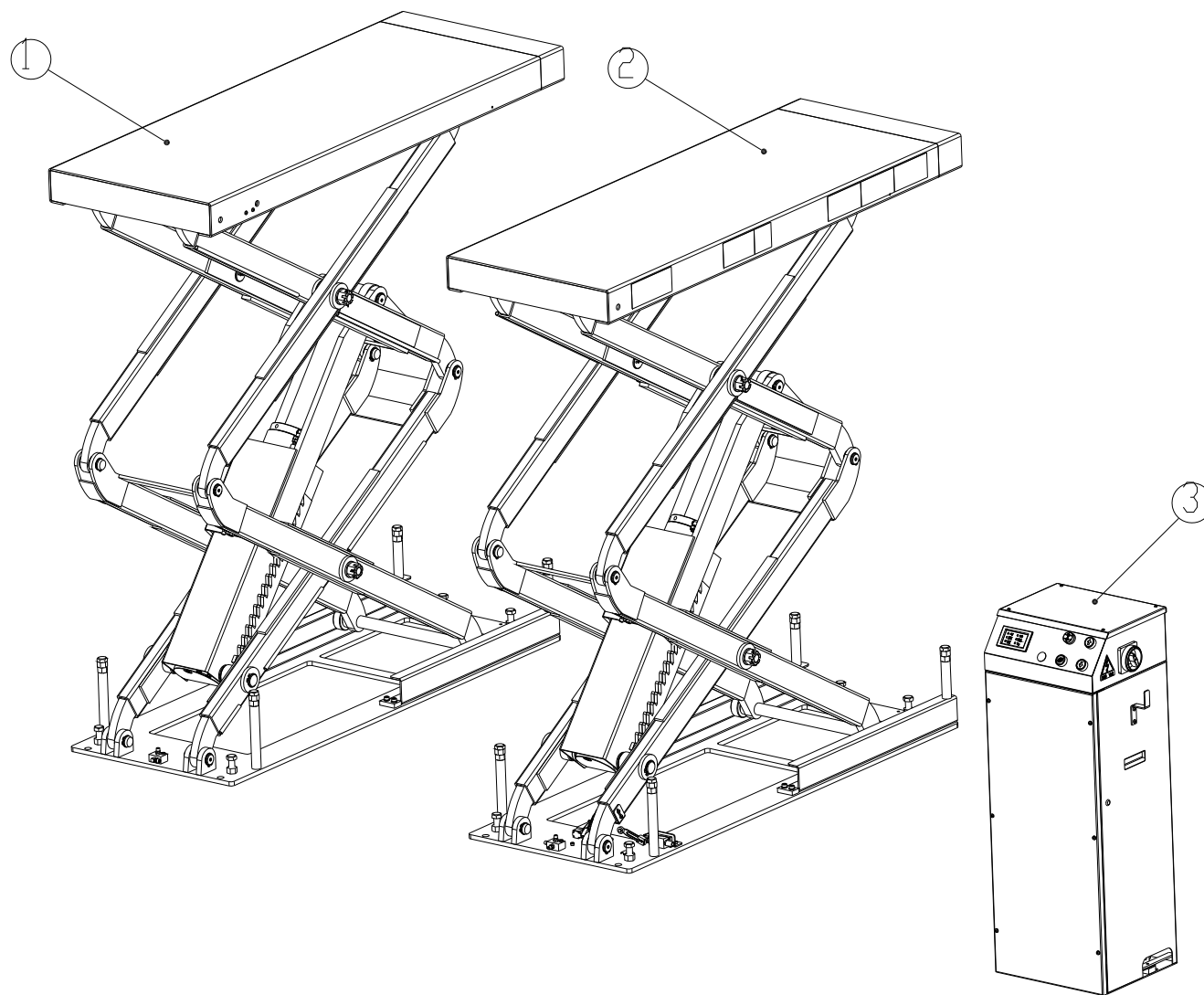


Sivik
ENGINEERING & PRODUCTION GROUP

ED. 03/2016

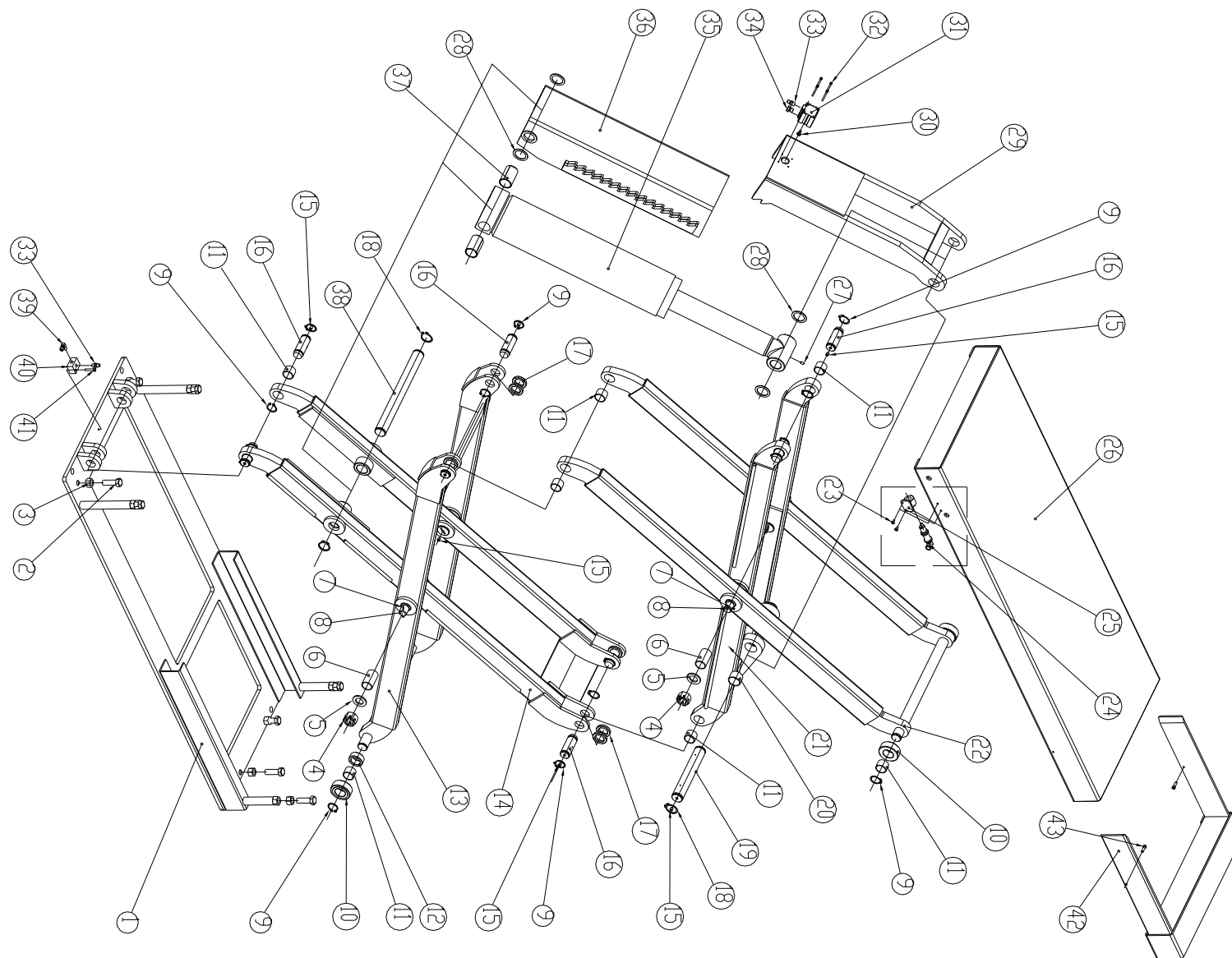
PART CATALOGUE
ΠΓΗ-3000/H-02
SCISSOR LIFT





TAV.0	LIFT	ED. 03/16
-------	------	-----------

ITEM	PART NO.	DESCRIPTION	QTY	REMARK
1	GJ300-1T	Runway P1	2	
2	GJ300-2TG	Runway P2	1	
3	7330D15000	Control unit	1	
4	0606033	Rubber pad 115X100X55	8	

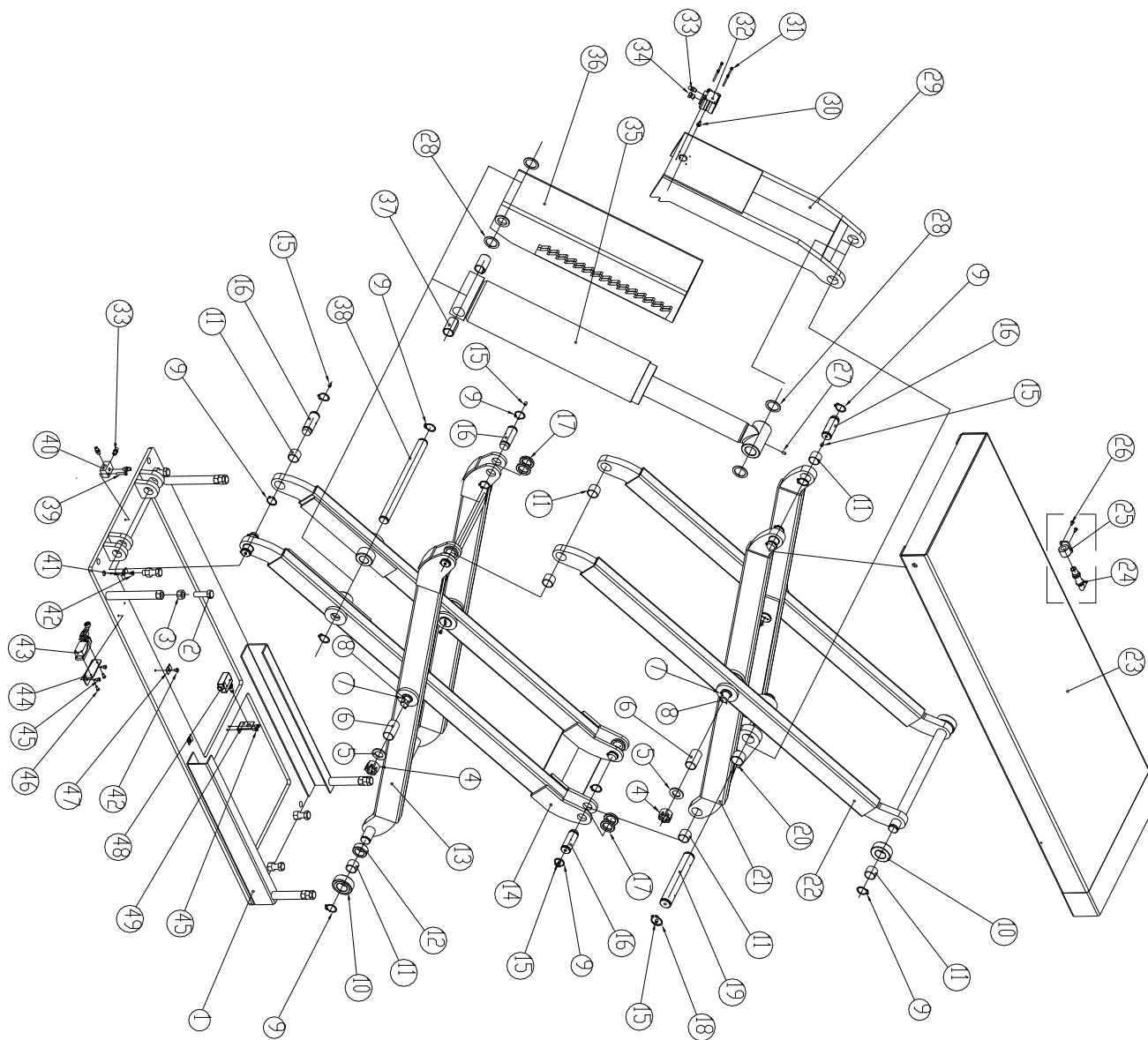


TAV.1.0	RUNWAY P1	ED. 03/16
---------	-----------	-----------

ITEM	PART NO.	DESCRIPTION	QTY	REMARK
1	GJ300-100000	Base	1	
2	0201103	Screw M16X50- GB/T5781	8	
3	0203017	Nut M16 - GB/T6170	8	
4	0204023	Split nut M24 - GB/T6178	4	
5	0205023	Washer D.24- GB/T95	4	
6	0210018	Self-lubricated bush 3055	4	
7	0213018	Split pin 2.5X40 – GB/T91	4	
8	GJ300-400003	Middle shaft	4	
9	0212021	Seeger D.30- GB/T894.2	20	
10	GJ300-400001	Wheel	4	
11	0210013	Self-lubricated bush 3024	12	
12	GJ300-400002	Lower wheel spacer	2	
13	GJ300-310000	Inferior outerscissor	1	
14	GJ300-321000G	Inferior innerscissor	1	
15	0215022	Grease 8X10	14	
16	GJ300-400005	Shaft	8	
17	GJ300-400008	Steel shim 1	8	
18	0212022	Seeger D.35- GB/T894.2	4	
19	GJ300-400006	Cylinder upper shaft	1	
20	0210022	Self-lubricated bush 3525	2	
21	GJ300-330000	Superior innerscissor	1	
22	GJ300-340000	Superior outer scissor	1	
23	0206024	Screw M5X10 - GB/T818	2	
24	33M-C400	Support	1	
25	0505059	Photocell	1	For special request
26	GJ300-210000G	Table	1	
27	GB/T78	Screw M6X12	1	

TAV.1.0	RUNWAY P1	ED. 03/16
---------	-----------	-----------

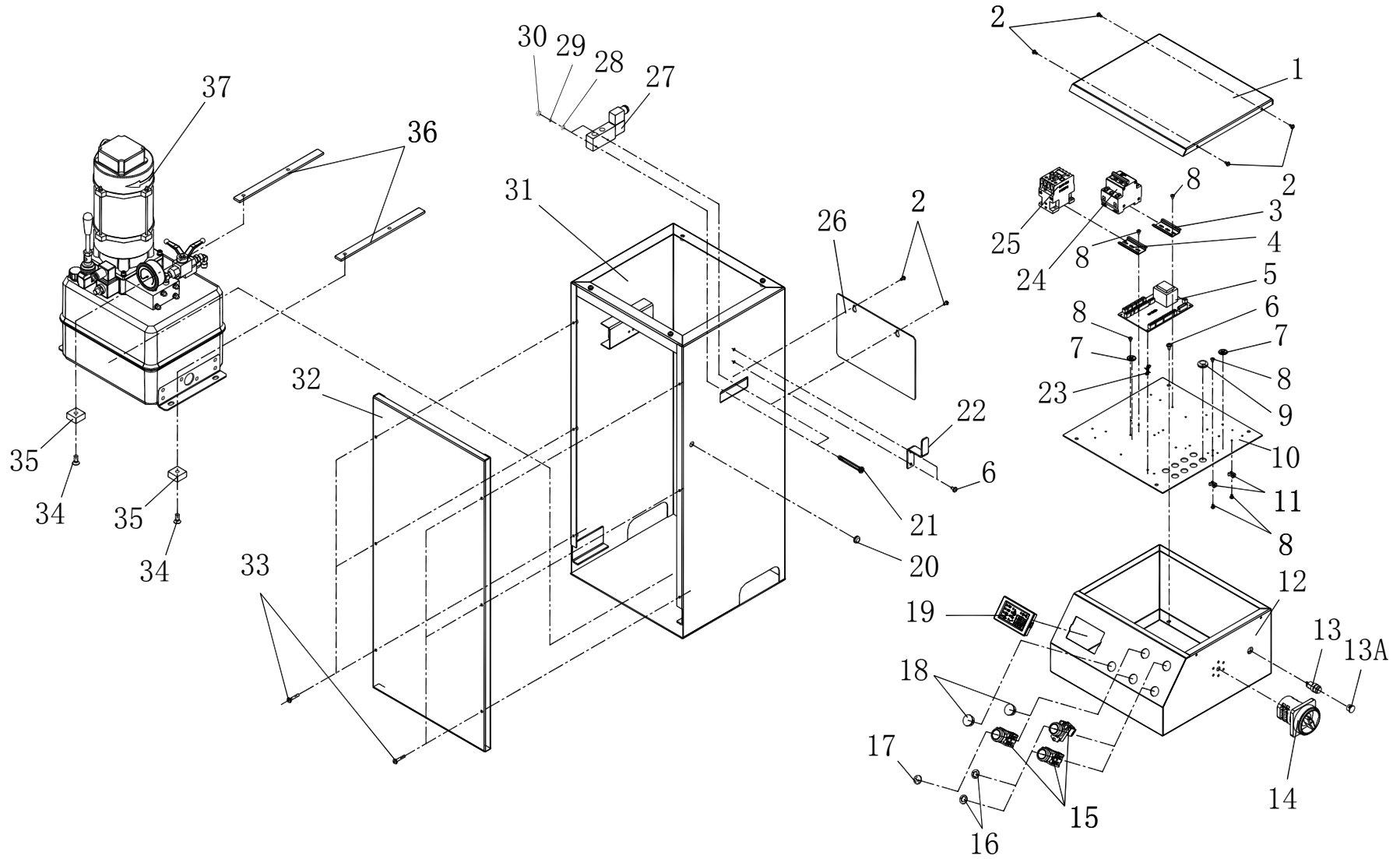
28	GJ300-400009	Steel shim 2	4
29	GJ350-05-01-00	Upper safety rack	1
30	0206032	Screw M6X16- GB/T12	1
31	0306010	Safety air cylinder 32X23	1
32	0202010	Screw M4X50 - GB/T70.1	4
33	0306045	Quick union 8-1/8	2
34	0306087	Silencer 1/8	1
35	GJ350-120A-0	Master hydraulic cylinder	1
36	GJ300-521100	Lower safety rack	1
37	0210028	Self-lubricated bush 3560	2
38	GJ300-400007	Cylinder lower shaft	1
39	0306033	90° quick union 8-1/8	1
40	GJ300-800002	Air divider	1
41	0201019	Screw M6X30- GB/T5781	1
42	GJ300-220000	Table extension	2
43	0202033	Screw M6X20- GB/T70.1	4



TAV.2.0	RUNWAY P2	ED. 03/16
---------	-----------	-----------

ITEM	PART NO.	DESCRIPTION	QTY	REMARK
1	GJ300-100000	Base	1	
2	0201103	Screw M16X50- GB/T5781	8	
3	0203017	Nut M16 - GB/T6170	8	
4	0204023	Split nut M24 - GB/T6178	4	
5	0205023	Washer D.24- GB/T95	4	
6	0210018	Self-lubricated bush 3055	4	
7	0213018	Split pin 2.5X40 – GB/T91	4	
8	GJ300-400003	Middle shaft	4	
9	0212021	Seeger D.30- GB/T894.2	22	
10	GJ300-400001	Wheel	4	
11	0210013	Self-lubricated bush 3024	12	
12	GJ300-400002	Lower wheel spacer	2	
13	GJ300-310000	Inferior outerscissor	1	
14	GJ300-322000G	Inferior innerscissor	1	
15	0215022	Grease 8X10	14	
16	GJ300-400004	Shaft	8	
17	GJ300-400008	Steel shim 1	8	
18	0212022	Seeger D.35- GB/T894.2	2	
19	GJ300-400006	Cylinder upper shaft	1	
20	0210022	Self-lubricated bush 3525	2	
21	GJ300-330000G	Superior innerscissor	1	
22	GJ300-340000	Superior outer scissor	1	
23	GJ300-200000G	Table assembly	1	
24	0505060	Photo receiver	1	For special request
25	33M-C400	Support	1	
26	0206024	Screw M5X10 - GB/T818	2	
27	GB/T78	Screw M6X12	1	

28	GJ300-400009	Steel shim 2	4
29	GJ350-05-01-00	Upper safety rack	1
30	0206032	Screw M6X16- GB/T12	1
31	0202010	Screw M4X50 - GB/T70.1	4
32	0306010	Safety air cylinder 32X23	1
33	0306045	Quick union 8-1/8	4
34	0306087	Silencer 1/8	2
35	GJ350-100B-0	Slave hydraulic cylinder	1
36	GJ300-522100	Lower safety rack	1
37	0210017	Self-lubricated bush 3050	2
38	GJ300-402007	Cylinder lower shaft	1
39	0201019	Screw M6X30- GB/T5781	1
40	GJ300-800001	Air divider	1
41	2L-75	U bolt	1
42	0206036	Screw M6X8- GB/T818	3
43	0505018	Limit switch 8108	1
44	GJ300-800101	Switch support	1
45	0202030	Screw M6X10- GB/T70.1	4
46	0206041	Screw M5X12- GB/T818	2
47	GJ350-07-03-02	U bolt	2
48	0505017	Limit switch 7311	1
49	GJ300-400010	Switch support	1



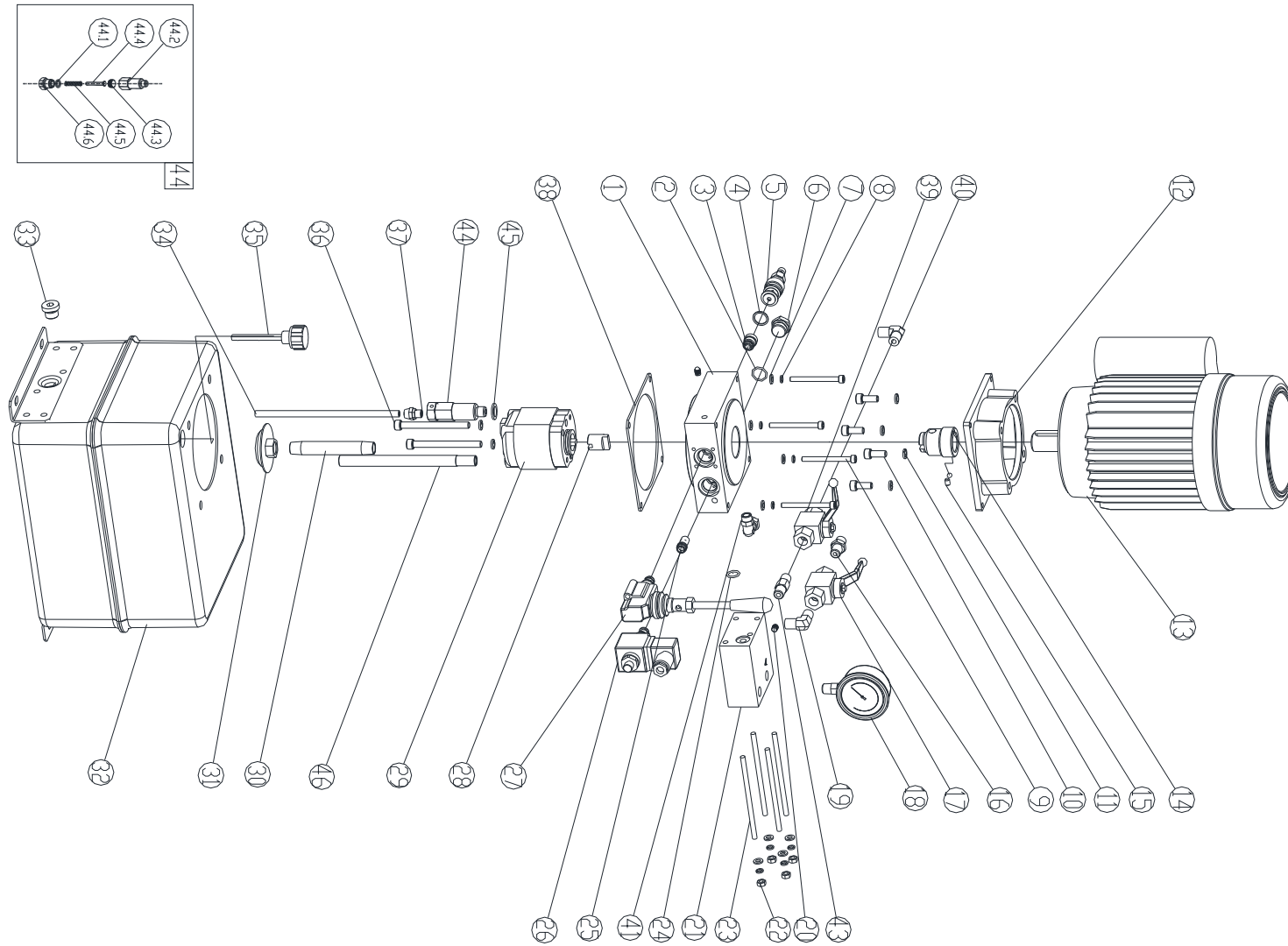
TAV.3.0

CONTROL UNIT

ED. 03/16

ITEM	PART NO.	DESCRIPTION	QTY	REMARK
1	J04A030002	Top cover	1	
2	0206059	ScrewM4X8	6	
3	0508330	Guide DZ47L=80mm	1	
4	0508330	Guide DZ47L=60mm	1	
5	0507367	CPU board 102.1	1	
6	0206058	Screw M5X10	6	
7	0510380	Ground decal	2	
8	0206019	Screw M4X6-GB/T818	10	
9	0508017	Cable relief GM-2314	8	
10	J04A110001	Support	1	
11	0508018	Holder HC-1(Φ4)	2	
12	J04A113000	Top box	1	
13	0502017	Pushbutton LA16Y-11-Y	1	
13A	0508353	Plug HP-16	1	
14	0505022	Power switch HZ5-2-20A	1	
15	0502024	Pushbutton LAY37T-10	3	
16	0510196	Up decal	2	
17	0510196	Safety lock decal	1	
18	0508019	Plug HP-22	2	
19	0507163	Function display 502D	1	
20	0508013	Cable relief GM-1710	1	
21	0206006	Screw M3X35-GB/T818	2	
22	3002002009	Cable holder	1	
23	0508302	Holder HDB-16A	4	
24a	0501066	Breaker DZ47-63/3P-D16A	1	For 3ph
24b	0501074	Breaker DZ47-63/2P-D32A	1	For 1ph
25	0501001	AC contactor CJX2-1210(AC220V)	1	

26	3054503904	Back cover	1
27	0306177	Solenoid air valveG1/4 3V210-08 (AC220V)	1
28	0205001	Washer D.3-GB/T97.1	2
29	0208001	Washer D.3-GB/T93	2
30	0203001	Nut M3-GB52	2
31	J04A031000	Lower box	1
32	J04A030003	Front cover	1
33	0206028	ScrewM5X25	6
34	0207019	ScrewM8X20-GB/T819.1	4
35	3032084008	Rubber pad	4
36	3002005001	Support	2
37	BZ-W4LY	Hydraulic power unit	1



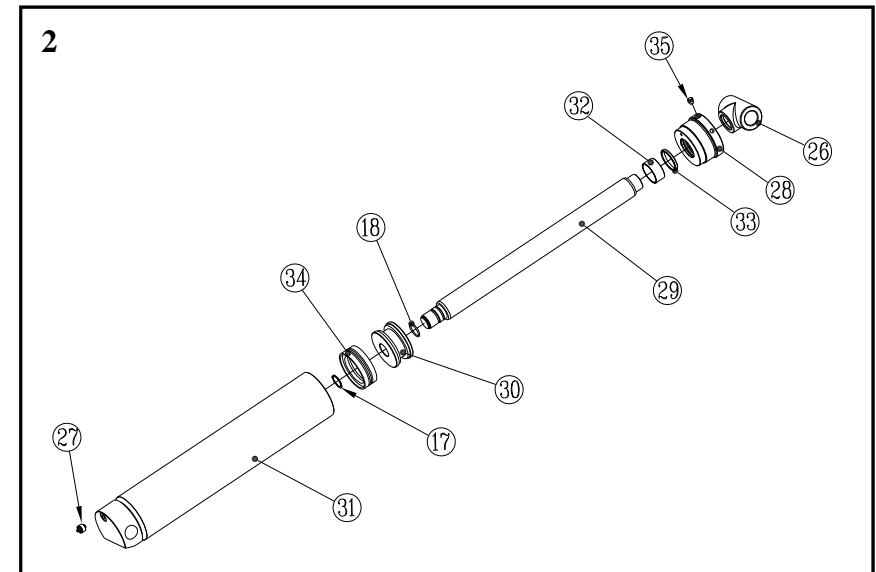
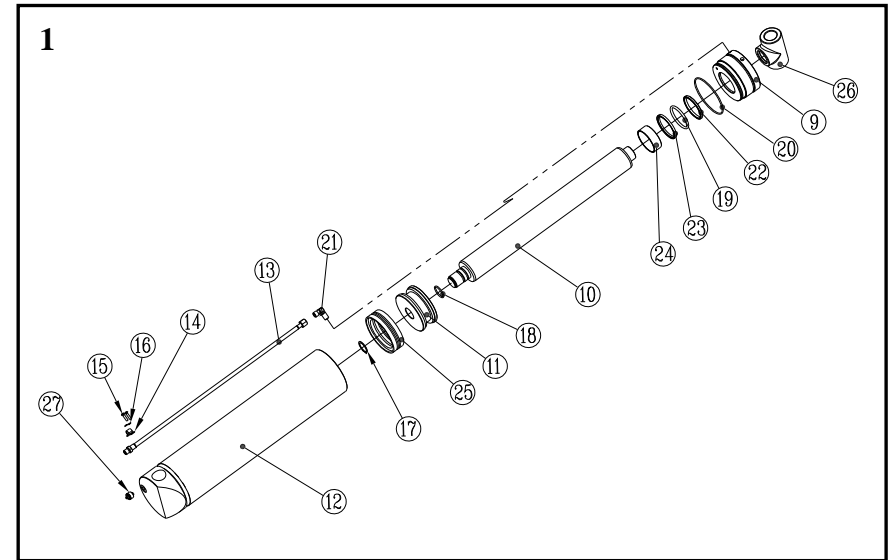
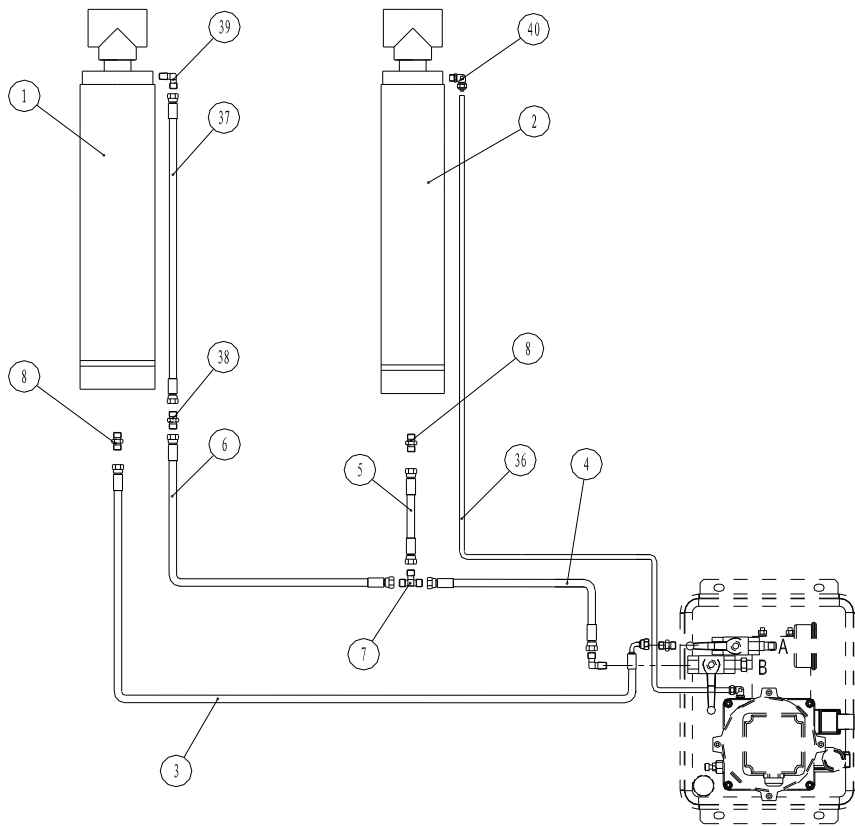
TAV.3.1	HYDRAULIC POWER UNIT	ED. 03/16
---------	----------------------	-----------

ITEM	PART NO.	DESCRIPTION	QTY	REMARK
1	BZ-ZB-W4	Manifold	1	
2	0309054	O-ring 17X2	1	
3	0307067	Non return valve GDF-06-07-00	1	
4	0313057	Copper washer 16X20	1	
5	0307010	Pressure overload valve FYF06-01-00	1	
6	BZ-SD-01	Plug	1	
7	0205006	Washer D.6 - GB/T97.1	8	
8	0208005	Spring washer D.6 - GB/T93	8	
9	0202036	Screw M6X65 - GB/T70.1	4	
10	0202045	Screw M8X20 - GB/T70.1	4	
11	0208006	Spring washer D.8 - GB/T93	6	
12	BZ-DJ-1B	Motor flange	1	
13a	0509070	Motor 380V/50Hz/3PH 2.6KW	1	
13b	0509071	Motor 220V/50Hz/1PH 2.2KW	1	
13c	0509092	Motor 220V/60Hz/1PH 2.2KW	1	
14	BZ-ZT24	Motor joint	1	
15	0209042	Screw M6X8 - GB/T80	1	
16	0303063	Union 1/4 1BT-04SP	1	
17	0307041	Leveling cutoff cock 1/4 BKH224-DN06-G1/4	1	
18	0305054	Pressure gauge LA-60X400	1	
19	0303031	90° union 1/4 1T9-04SP	1	
20	0305001	Plug ZBJ22 007-QD07	2	
21	BZ-W-YL	Interface block	1	
22	0203004	Nut M6-GB52	4	
23	0213045	Double-screw bolt M6X120-GB/T901	4	
24	0309019	O-ring 18X2.4 - GB1235	1	
25	0307006	Lowering speed control valve BLF06-02-00/Φ2.5	1	

26	0307049	Lowering solenoid valve (AC220V)	1	
27	0301034	Manual pump QTHB-14	1	
28	BZ-BJ25	Pump joint	1	
29a	0301015	Gear pump 4.8CC	1	For 3PH motor
29b	0301042	Gear pump 2.1CC	1	For 1PH/ 50Hz motor
29c	0301041	Gear pump 1.6CC	1	For 1PH /60Hz motor
30	BZ-G18X110	Oil suction pipe	1	
31	0305010	Oil filter ZG3/8" ZF-08	1	
32	HK2-0200	Oil tank	1	
33	0305018	Plug 4BN-06WD G3/8	1	
34	0306097	Rilsan hose 8X5 L=190	1	
35	0305026	Oil level plug 3/8	1	
36	0202053	Screw M8X90 - GB/T70.1	2	
37	0306069	Rotation union 8-1/8	1	
38	BZ-F-01	Gasket	1	
39	0307041	Leveling cutoff cock 1/4 BKH224-DN06-G1/4	1	
40	0303002	90° union 1/4 1BT9-04SP	1	
41	0306067	Union Φ 10 ZG1-4	1	
42	BZ-G14X200	Oil return pipe	1	
43	0303060	Union 1T-04SPL	1	
44	BZ-HC2-0	Startup valve	1	For 1PH motor
44.1	BZ-HC-6	Seal Φ 16X Φ 9X2.5	1	For 1PH motor
44.2	BZ-HC2-1	Valve body	1	For 1PH motor
44.3	BZ-HC-2	Valve piston	1	For 1PH motor
44.4	BZ-HC2-3	Valve pin	1	For 1PH motor
44.5	BZ-HC2-4	Spring	1	For 1PH motor
44.6	BZ-HC2-5	Valve back cover	1	For 1PH motor

TAV.3.1	HYDRAULIC POWER UNIT	ED. 03/16
---------	----------------------	-----------

45 0313001 Washer BS/A13.70 1 For 1PH motor



TAV.35	HYDRAULIC CYLINDERS	ED. 03/16
--------	---------------------	-----------

ITEM	PART NO.	DESCRIPTION	QTY	REMARK
1	GJ350-120A-0	Master hydraulic cylinder	1	
2	GJ350-100B-0	Slave hydraulic cylinder	1	
3	ZW4900	Hydraulic hose L=4900	1	
4	ZZ3160	Hydraulic hose L=3160	1	
5	ZZ320	Hydraulic hose L=320	1	
6	ZZ1620	Hydraulic hose L=1620	1	
7	0303021	Tee union 1/4 (AB-04)	1	
8	0303063	Union 1/4 (1BT-04SP)	2	
9	GJ350-120A-2	Cylinder guiding cover	1	
10	GJ350-120A-3	Cylinder shaft	1	
11	GJ350-120A-5	Piston	1	
12	GJ350-120A-10	Cylinder liner	1	
13	GJ350-120A-20	Hydraulic pipe	1	
14	MS100-80-8	Ubolt	1	
15	0206024	Screw M5X10 - GB/T 818	2	
16	0208003	Spring washer D.5- GB/T93	2	
17	0212007	Seeger D.32 - GB/T894.1	1	
18	0309027	O- ring 38X3.1- GB1235	2	
19	0309040	O- ring 75X5.7- GB1235	1	
20	0309012	O- ring 120X3.1- GB1235	1	
21	0303002	90° union1/4 (1BT9-04SP)	1	
22	0311013	Scraper67X75X5	1	
23	0310019	Seal 67X77X6	1	
24	0305006	Guide ring 67X25X2.5- GB/T15242.2	1	
25	0312007	Gasket 120X95	1	
26	GJ350-120A-1	Shaft support	2	
27	0307021	Parachute valve 1/4	2	For special request

28	GJ350-100B-2	Cylinder guiding cover	1
29	GJ350-100B-3	Cylinder shaft	1
30	GJ350-100B-5	Piston	1
31	GJ350-100B-10	Cylinder liner	1
32	0311010	Scraper50X58X5	1
33	0305006	Guide ring 50X25X2.5- GB/T15242.2	1
34	0312003	Gasket 100X75	1
35	0306087	Silencer 1/8	1
36	0306109	PU hose Φ 10X6.5X4500	1
37	ZZ640	Hydraulic hose L=640	1
38	0303065	Union1/4 (1B-04)	1
39	0303003	90° union 1/4 (1BT9-04SP-Y)	1
40	0306067	90° union (Φ 10 ZG1/4)	1