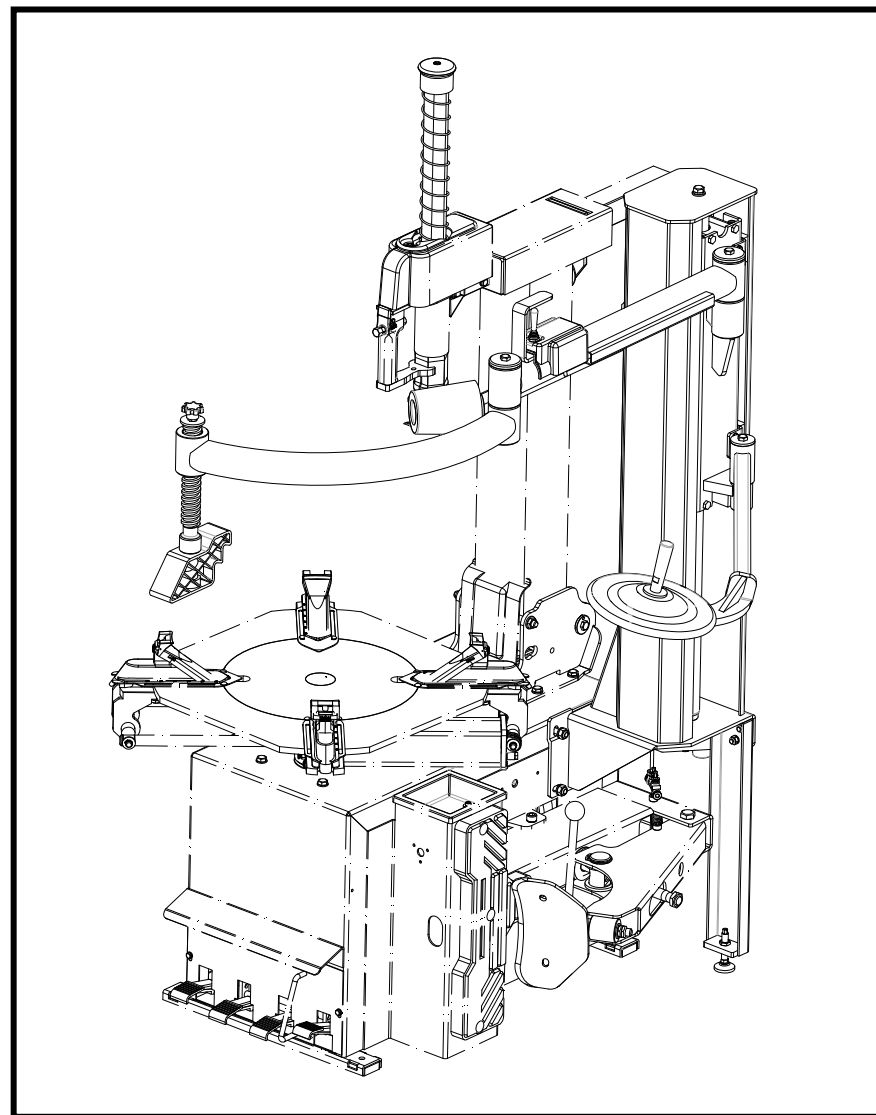
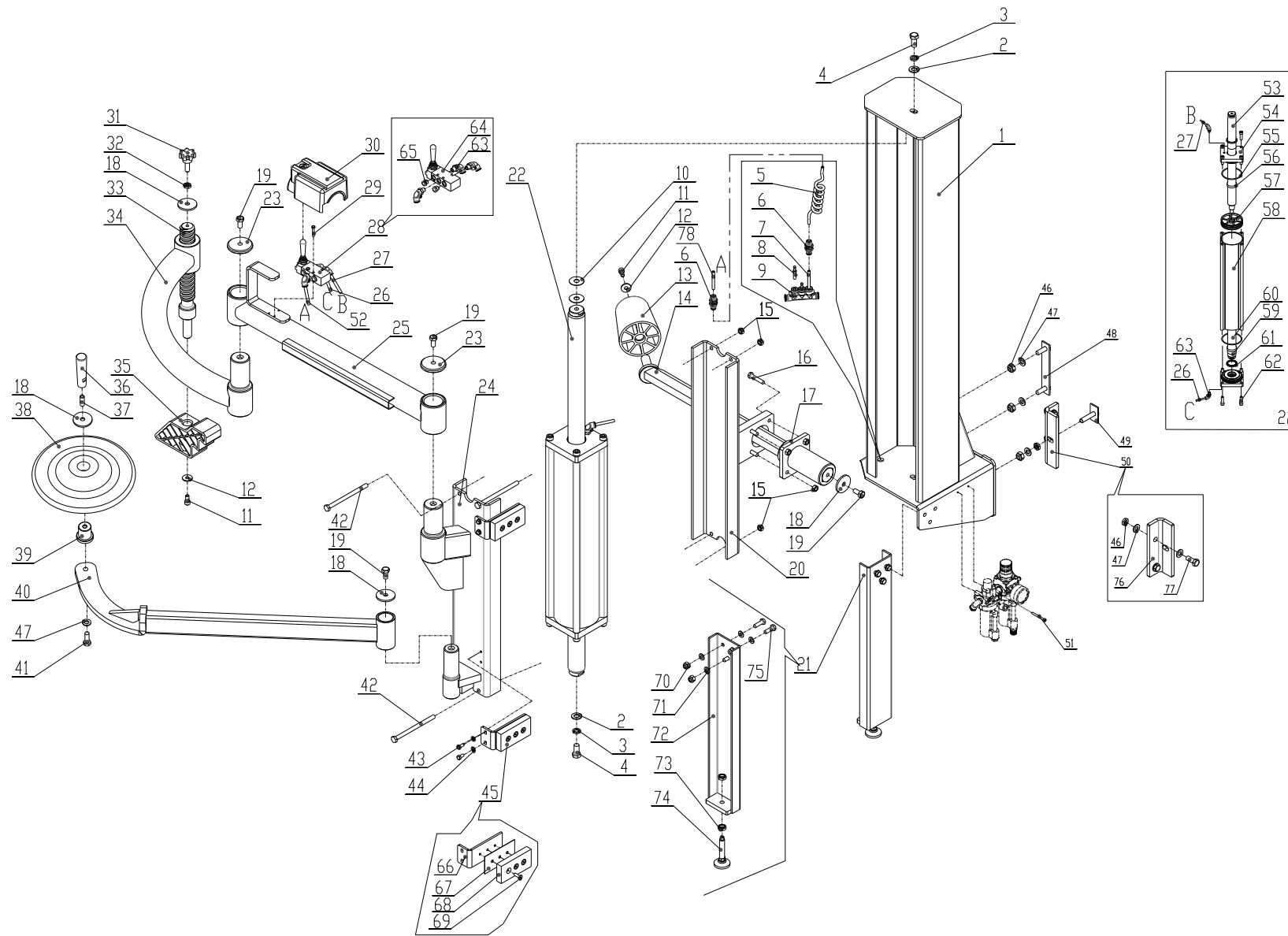


**PART CATALOGUE**

**PB1**

**PRESS ARM**





TAV.0.0	HP1 PRESS ARM	ED. 06/11
---------	---------------	-----------

ITEM	PART NUMBER	DESCRIPTION	QTY	REMARK
1	HP-2418542	HP1 post	1	
2	0205013	Washer D.12	2	
3	0208009	Elastic washer D.12	2	
4	0201078	Screw M12X25	2	
5	0306101	Rilsan spiral hose 6X4 L=1000	1	
6	0306012	Quick union D.6	2	
7	0306095	Rilsan hose 6X4 L=1500 black	1	
8	0306014	Plug	2	
9	0306028	5-way quick union D.8 - D.6	1	
10	HP-3018523	Steel shim	2	
11	0202040	Screw M8X16	2	
12	0205009	Washer D.8	2	
13	YCH-3008433	Roller	1	
14a	HP-2418543	Roller support arm	1	
14b	HP-2418543A	Roller support arm XL	1	
15	0203008	Nut M8	8	
16	0201037	Screw M8X40	4	
17	HP-2418555	Hex arm guide	1	
18	YCH-3002311	Washer	4	
19	0201062	Screw M10X20	4	
20	HP-2418557	Left carriage	1	
21	HP-2000200	Arm support unit	1	
22	HP-2118561	Arm cylinder 100	1	
23	HP-3018522	Washer	2	
24	HP-2418546	Right carriage	1	
25	HP-2418523	Arm 1	1	
26	0306122	Rilsan hose 6X4 L=1400 white	1	

TAV.0.0	HP1 PRESS ARM	ED. 06/11
---------	---------------	-----------

27	0306123	Rilsan hose 6X4 L=1400 blue	1
28	YCP-2006996	Control valve unit	1
29	0201113	Screw M4X30	2
30	HP-3015642	Valve cover	1
31	0215012	Hand wheel	1
32	0204012	Nut M10	2
33	HP-3016688	Special screw	1
34a	HP-2418522	Bead press tool arm	1
34b	HP-2418522A	Bead press tool arm XL	1
35	HP-3016687	Bead press tool	1
36	YCH-2012683	Handle	1
37	0209022	Screw M10X30	1
38	YCP-3006886	Bead breaking disk	1
39	YCH-3006862	Disk pin	1
40	HP-2418528	Disk arm	1
41	0201049	Screw M10X30	1
42	0201131	Screw M8X130	4
43	0201011	Screw M6X12	4
44	0205006	Washer D.6	4
45	HP-2000100	Slider	2
46	0204005	Self-locking nut M10	5
47	0205011	Washer D.10	8
48	YCH-6608782	U bolt	1
49	YCH-3008784	Anti-rotation screw	1
50	YCH-2010310	Support	1
51	0202010	Screw M4X50	2
52	0306095	Rilsan hose 6X4 L=1200 black	1

TAV.0.0	HP1 PRESS ARM	ED. 06/11
---------	---------------	-----------

53	HP-3018533	Male shaft	1
54	HP-3018535	Cylinder flange	2
55	0606061	O-ring 92.5X3.55	2
56	0305007	Guiding ring	1
57	HP-3018562	Piston 100	1
58	HP-3018534	Cylinder liner	2
59	0606062	O-ring 40X3.55	1
60	HP-3018532	Female shaft	2
61	0310013	Sealing ring 40X50X6	8
62	0202063	Screw M10X35	5
63	0306046	90° quick union 6-1/8	1
64	0307030	Control valve	2
65	0306087	Silencer 1/8	1
66	HP-3000101	Slider support	1
67	HP-3000103	Spacer	1
68	HP-3000102	Plastic slider	3
69	0207039	Screw M6X20	3
70	0204004	Self-locking nut M8	6
71	0205008	Washer D.8	1
72	HP-2417000	Arm support	2
73	0204016	Nut M12	1
74	0466194	Support foot	3
75	0201038	Screw M8X25	1
76	YCH-3010304	U plate	2
77	0202061	Screw M10X25	1