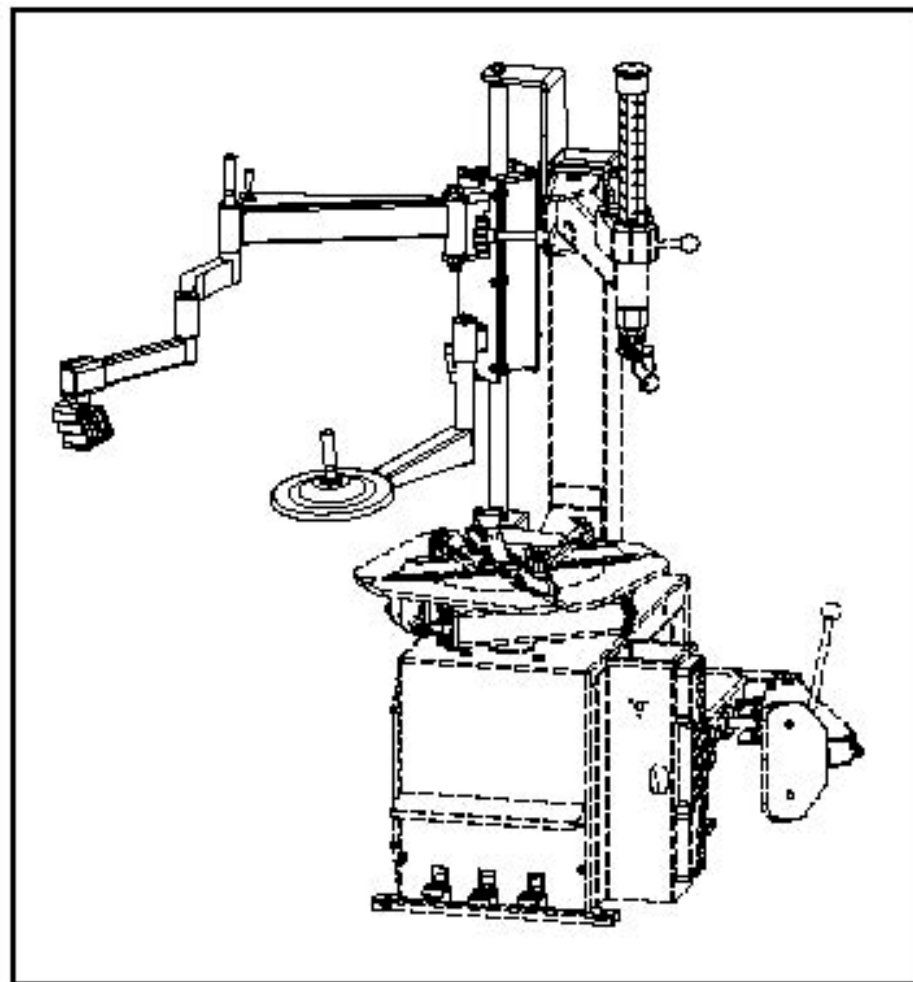
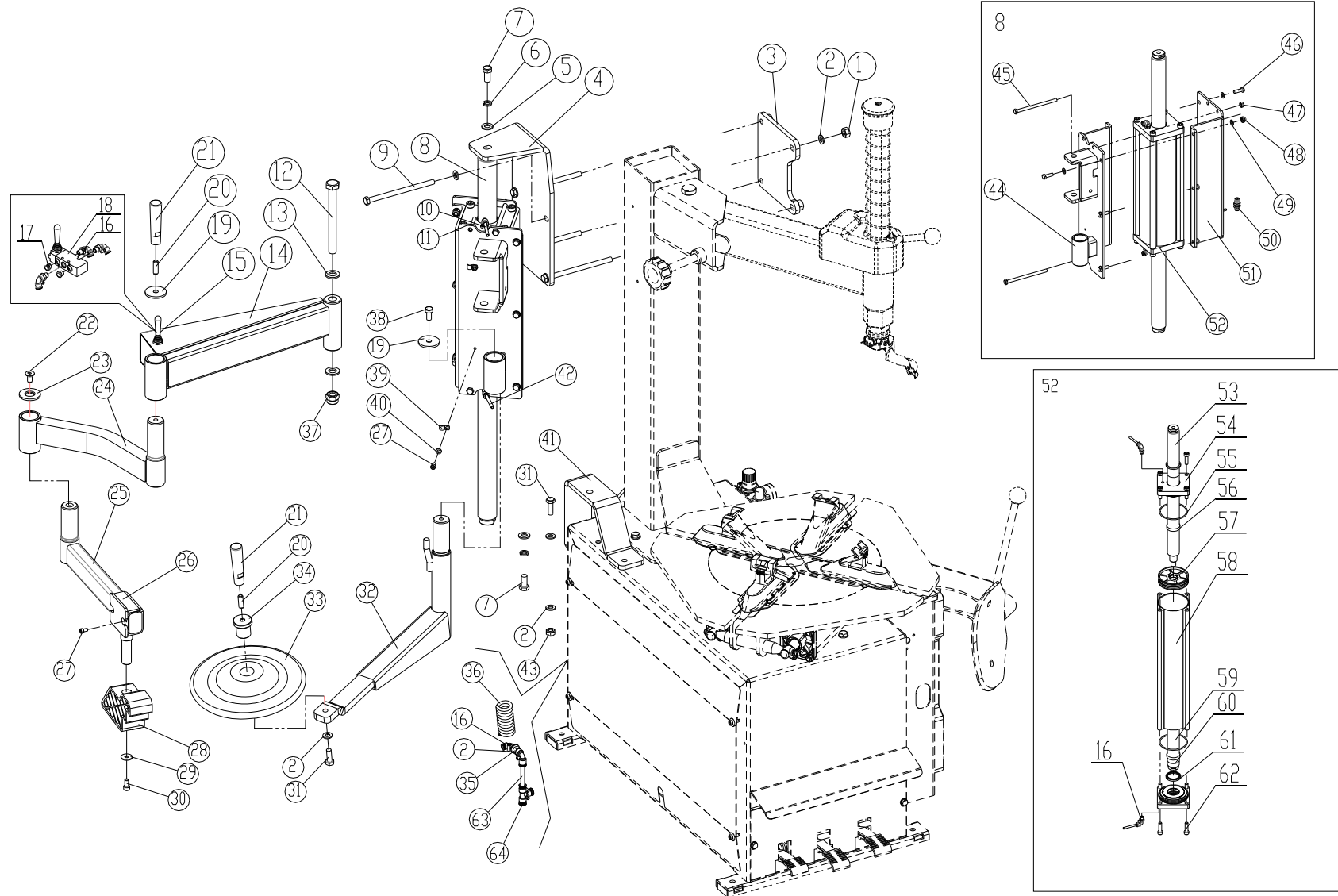


PART CATALOGUE

PB-3





TAV.0.0	LEFT PRESS ARM 2	ED. 02/19
---------	------------------	-----------

ITEM	PART NUMBER	DESCRIPTION	QTY	REMARK
1	0203032	Nut M10 - GB/T6170	4	
2	0205011	Washer D.10 - GB/T97.1	14	
3	C05D000002	Fixing plate	1	
4	C05D000001	Support	1	
5	0205013	Washer D.12 - GB/T97.1	2	
6	0208009	Spring washer D.12 - GB/T93	2	
7	0201078	Screw M12X25 - GB/T5783	2	
8	C05D010000	Arm carriage	1	
9	0201166	Screw M10X160 - GB/T5782	4	
10	0306123	Rilsan hose 6X4 L=700 blue	1	
11	0306095	Rilsan hose 6X4 L=1200 black	1	
12	0201096	Screw M16X160 - GB/T5782	1	
13	0205020	Washer D.16 - GB/T97.1	2	
14	C05D020100	Arm 1	1	
15	C05D020000	Control valve unit	1	
16	0306040	90° quick union 6-1/8	6	
17	0306087	Silencer 1/8	2	
18	03060205	Control valve 230C-06B-B	1	
19	YCH-3002311	Washer	2	
20	0209022	Screw M10X30 - GB/T77	2	
21	YCH-2012683	Handle	2	
22	0207023	Screw M10X20 - GB/T70.3	1	
23	YCP-3009088	Washer	1	
24	YCP-2413004	Arm 2	1	
25	YCP-2408983	Arm 3	1	
26	YCP-2415062	Arm 3 slide	1	
27	0202030	Screw M6X10 - GB/T70.1	5	

TAV.0.0	LEFT PRESS ARM 2	ED. 02/19
---------	------------------	-----------

28	YCP-3008404	Bead pressing tool	1
29	0205009	Washer D.8 - GB/T96	1
30	0202040	Screw M8X16 - GB/T70.1	1
31	0201049	Screw M10X30 - GB/T5783	3
32	YCP-2407545	Bead breaking disk arm	1
33	YCP-3006886	Bead breaking disk	1
34	YCH-3006862	Disk upper pin	1
35	0306034	90° quick union 8-1/8	1
36	0306101	Rilsan spiral hose 6X4X15	1
37	0204008	Self-locking nut M16 - GB/T889.1	1
38	0201062	Screw M10X20 - GB/T5783	1
39	YA10-2004T	U bolt	4
40	0205006	Washer D.6 - GB/T97.1	6
41	C05D000003	Arm support	1
42	0306122	Rilsan hose 6X4 L=1000 transparent	1
43	0204005	Self-locking nut M10 - GB/T889.1	2
44	C05D010200	Left carriage	1
45	0201131	Special screw M8X130 - GB/T5782	2
46	0201038	Screw M8X25 - GB/T5783	6
47	0203029	Nut M8 - GB/T6170	2
48	0204004	Self-locking nut M8 - GB/T889.1	6
49	0205008	Washer D.8 - GB/T97.1	12
50	0306012	Quick union 6-M14X1	1
51	C05D010300	Right carriage	1
52	C05D010100	Cylinder unit	1
53	C05D010101	Male shaft	1
54	HP-3018535	Flange	2

TAV.0.0	LEFT PRESS ARM 2	ED. 02/19
---------	------------------	-----------

55	0606062	O-ring 92.5X3.55	2
56	0305012	Guiding ring 10X2.5	2
57	HP-3018562	Piston 100	1
58	C05D010102	Cylinder liner	1
59	HP-3018532	Female shaft	1
60	0606061	O-ring 40X3.55	2
61	0310013	Seal 40X50X6	2
62	0202063	Screw M10X35 - GB/T70.1	8
63	0306097	Rilsan hose 8X5 L=400 black	1
64	0306022	Quick tee union 8	1