



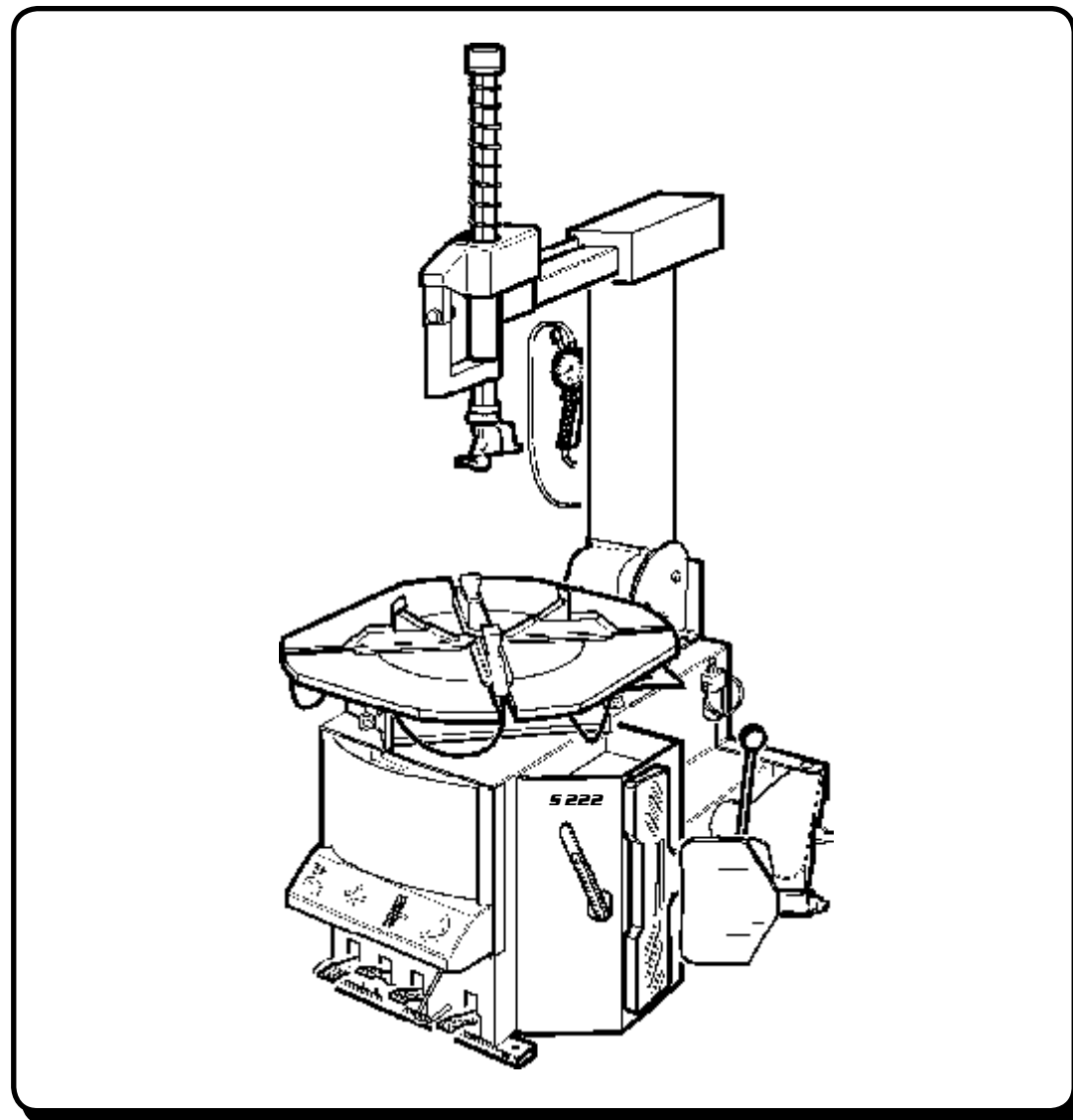
CATALOGO RICAMBI ORIGINALI - ORIGINAL SPARE PARTS

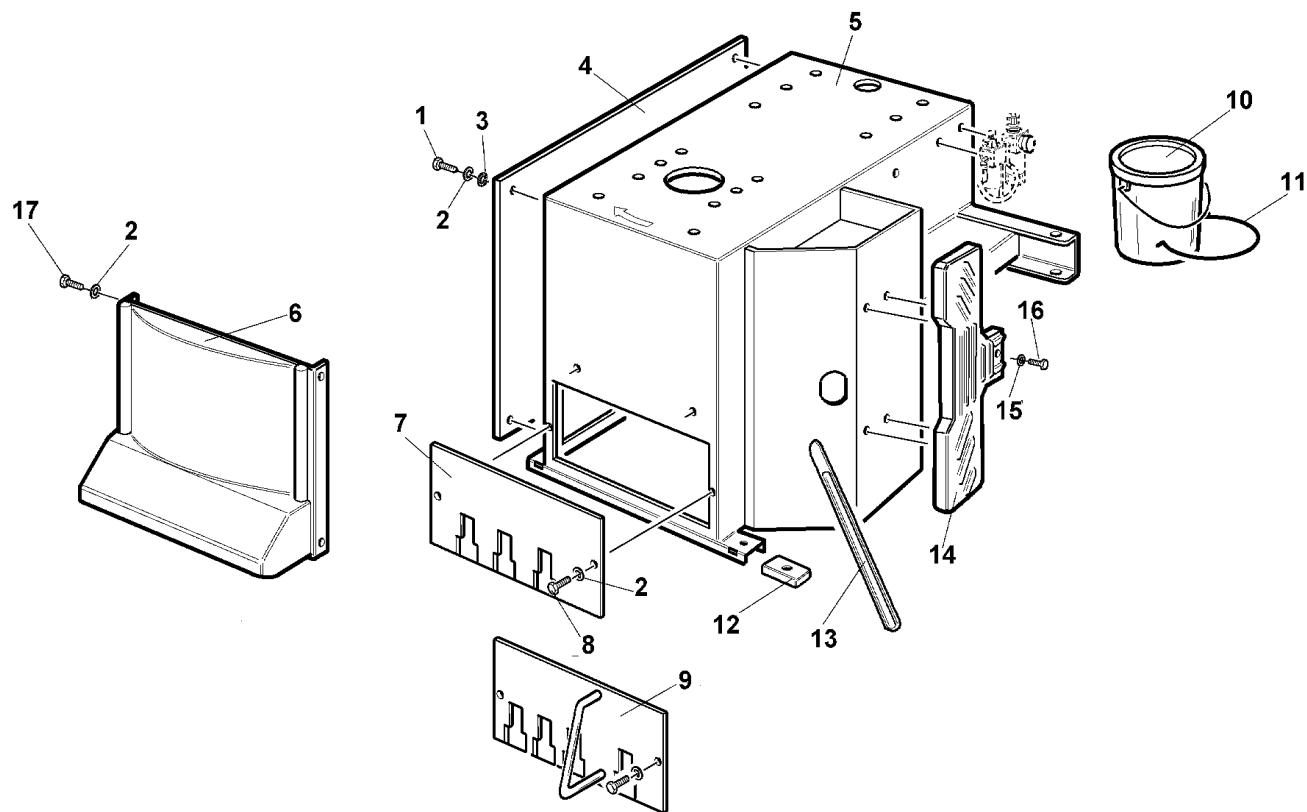
CATALOGUE PIECES D'ORIGINE - ORIGINALSATZTEILE

Ed. 03/2007

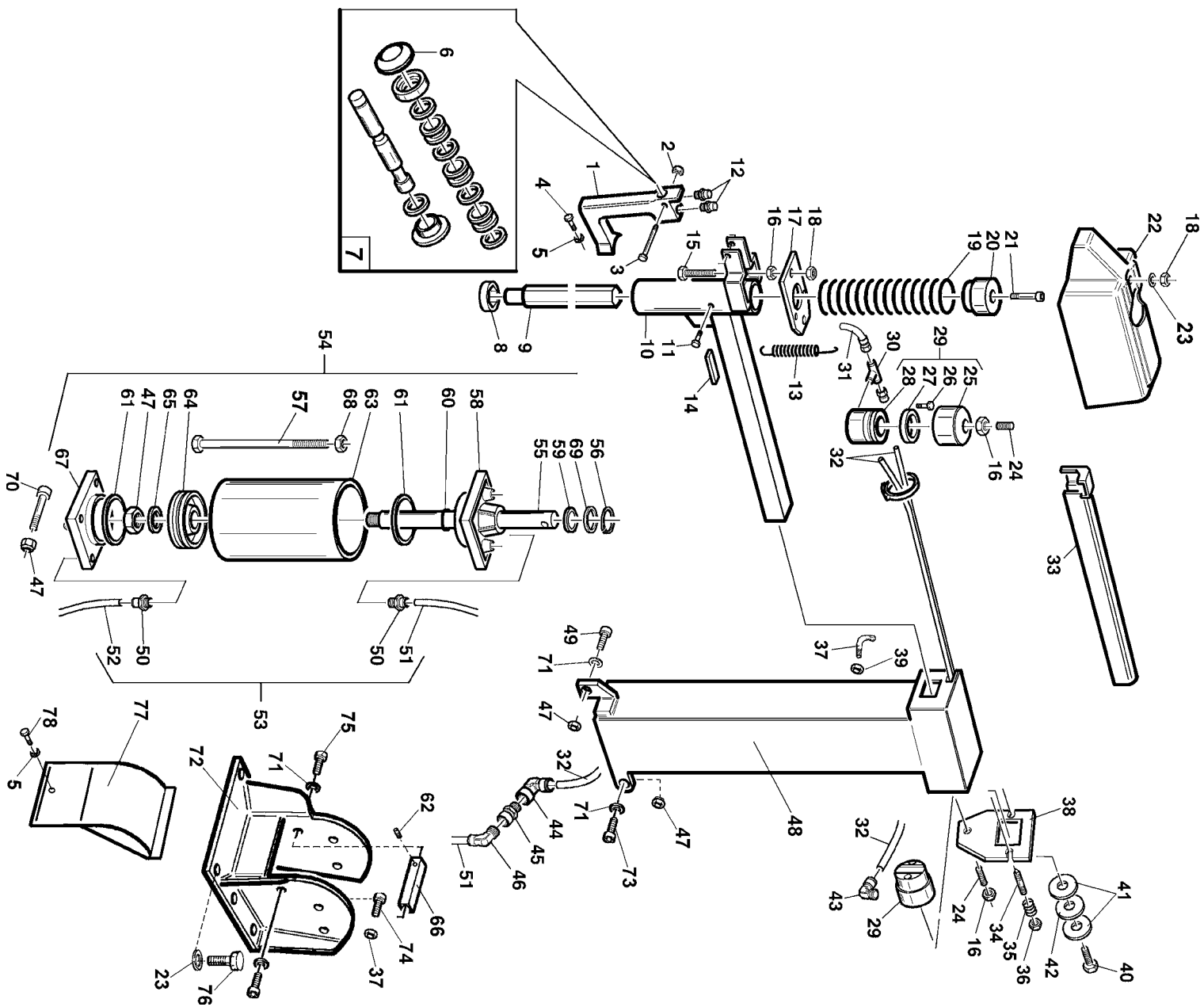
Cod. 3010003

S 222





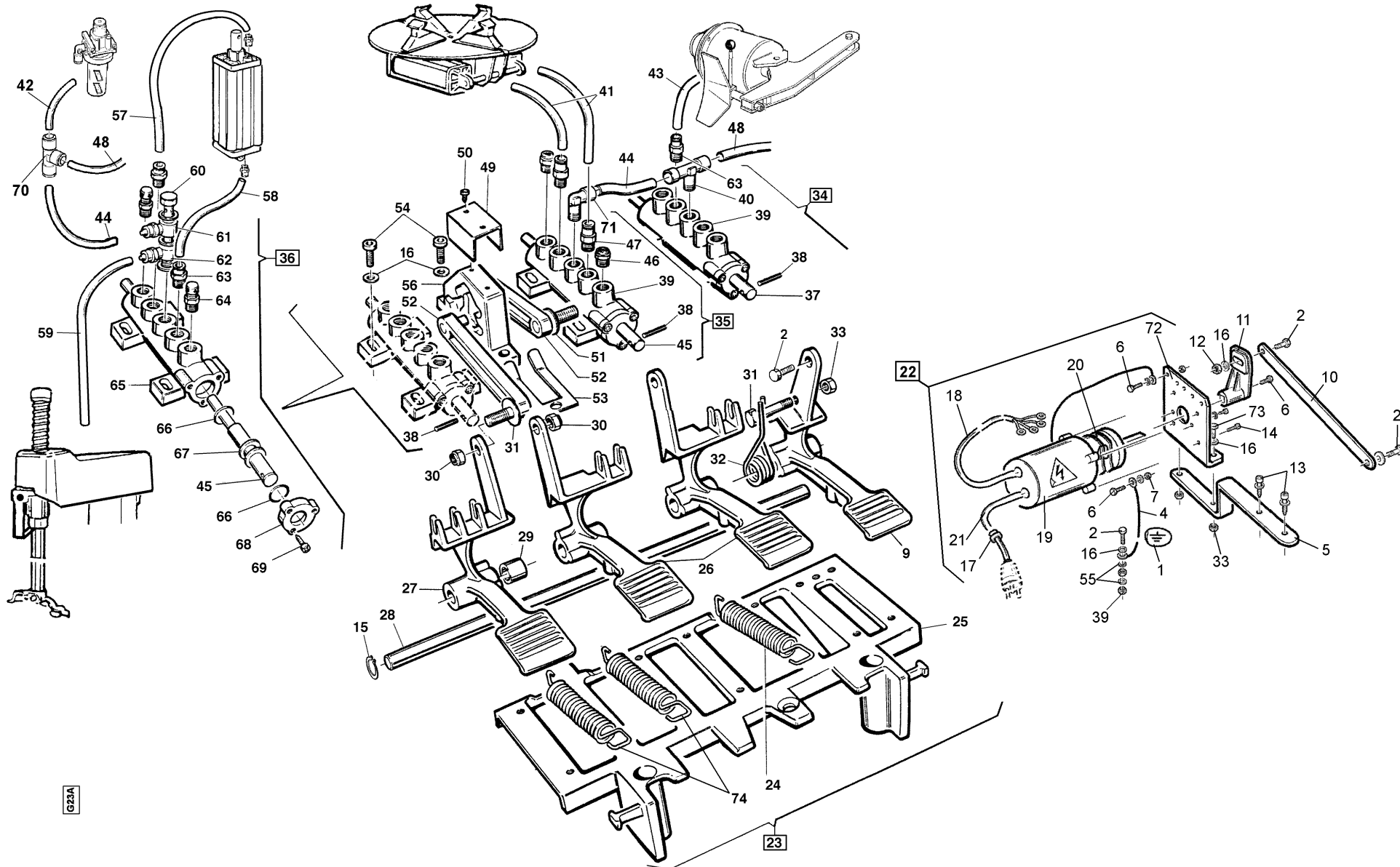
ref	code	Descrizione	Description	Description UK	Beschreibung DM
1	4398108	VITE AUTOF. TCEI 6,3x16 ZNT	VIS AUTOTARADEUSE 6,3x16	SELF-TAPPING SCREW 6,3x16	BLECHSCHRAUBE 6,3x16
2	4399998	RONDELLA 6 (6,4x12x1,6)	RONDELLE 6 (6,4x12x1,6)	WASHER 6 (6,4x12x1,6)	BEILAGSSCHEIBE 6 (6,4x12x1,6)
3	4399288	ROND. DEN.ES."A" 6,4x11x0,7	RONDELLE DENTEE 6,4x11x0,7	TOOTHED WASHER 6,4x11x0,7	ZAHNSCHEIBE 6,4x11x0,7
4	2101800	COPERCHIO LAT. GT	COUVERTURE LATERALE	SIDE COVER	SEITENABDECKUNG
5	2111422	CARCASSA	BATI	SHELL	RAHMEN
6	3011970	PROTEZIONE PEDALI IN ABS	PROTECTION PEDALE	PEDAL COVER	PEDALSCHUTZ
7	6612080	SUPP. PEDALIERA 3 PEDALI	SUPPORT PEDALES	PEDAL SUPPORT	PEDALTRAEGER
8	4398723	VITE TE 6x12 8.8 5739	VIS 6x12	SCREW 6x12	SCHRAUBE 6x12
9	6612452	SUPP.PEDALIERA 4 PEDALI	SUPPORT PEDALES	PEDAL SUPPORT	PEDALTRAEGER
10	4299984	SECCHIELLO GRASSO	CUVE DE GRAISSE	GREASE CUP	SCHMIERBEHAELTER
11	3000069	MOLLA ANELLO PER SECCHIELLO	RESSORT	SPRING	FEDER
12	3002099	PIEDE IN PLASTICA PER CARCASSA	PIED EN PLASTIQUE	PLASTIC FOOT	PLASTIKFUSS
13	3006970	LEVA ALZATALLONI TIPO C	LEVIER DECOLLE-TALONS	BEAD LIFTING LEVER	WULSTABDRUECKHEBEL
14	3002102	APPOGGIO RUOTA INTEGRALE	APPUI ROUE	WHEEL SUPPORT	RADHALTER
15	4398848	RONDELLA 6 (6,6x18x1,5)ZNT6593	RONDELLE 6 (6,6x18x1,5)	WASHER 6 (6,6x18x1,5)	BEILAGSSCHEIBE 6 (6,6x18x1,5)
16	4399999	VITE TCEI M 6x25	VIS 6x25	SCREW 6x25	SCHRAUBE 6x25
17	4399892	VITE TE 6x20	VIS 6x12	SCREW 6x20	SCHRAUBE 6x20



1	2007986	GR.COMANDO BLOCC.PALI INTEGR.	COMMANDE BLOCAGE BRAS	ARM LOCKING CONTROL	ARMSPERRSTEUERUNG
2	4399895	DADO AUTOBL.M 4 BASSO.6S. 7474	ECROU DE VERROUILLAGE M4	SELF-LOCKING NUT M4	SELBSTSICHERNDE MUTTER M4
3	4399896	VITE TE 4x35 8.8 P.F. 5737	VIS 4x35	SCREW 4x35	SCHRAUBE 4x35
4	4399300	VITE TCEI M 6x12 8.8 5931	VIS 6x12	SCREW 6x12	SCHRAUBE 6x12
5	4399998	RONDELLA 6 (6,4x12x1,6)ZNT6592	RONDELLE 6 (6,4x12x1,6)	WASHER 6 (6,4x12x1,6)	BEILAGSSCHEIBE 6 (6,4x12x1,6)
6	3007645	CAPPUCCIO PLAST.	CAPUCHON EN PLASTIQUE	PLASTIC CAP	KUNSTSTOFFKAPPE
7	2008336	KIT RICAMBIO X COMANDO BL.PALI	JEU REPLACE COMMANDE BRAS	ARM CONTROL SPARES	ARMSTEUERUNGSERSATZTEILE
8	3002601	AMMORTIZ. TORRETTA ES.41	AMORTISSEUR OUTIL DE MONTAGE	MOUNT. TOOL SHOCK ABSORBER	MONTIERWERKZEUGSTOSSDAEMPFER
9	3012366	BRACCIO OP.ES.36 L=620 8030	BRAS HEXAGONAL D.36 L=620	HEXAGONAL ARM D. 36 L=620	SECHSKANTARM D.36 L=620
10	6607969	PALO QUADRO S.222 TN-NERO	BRAS HORIZONTAL	HORIZONTAL ARM	WAAGERECHTER ARM
11	4399300	VITE TCEI M 6x12 8.8 5931	VIS 6x12	SCREW 6x12	SCHRAUBE 6x12
12	4197743	RACCORDO 6511 M5-4 DIR. A.104	RACCORD	UNION	ANSCHLUSS
13	3002273	MOLLA A TRAZIONE—ZINC.	RESSORT	SPRING	FEDER
14	3002600	AMMORTIZZ. PALO QUADRO AUT.	AMORTISSEUR	SHOCK ABSORBER	STOSSDAEMPFER
15	4399423	VITE TE 10x70 8.8 5739	VIS 10x70	SCREW 10x70	SCHRAUBE 10x70
16	4399967	DADO M10 6S BASSO ZNT 5589	ECROU M10	NUT M10	MUTTER M10
17	3000214	PIASTRA BLOCCAGGIO B.O.	PLAQUE BLOCAGE BRAS	ARM LOCKING PLATE	ARMSPANNPLATTE
18	4399971	DADO AUTOBL.M10 BASSO	ECROU DE VERROUILLAGE M10	SELF-LOCKING NUT M10	SELBSTSICHERNDE MUTTER M10
19	3001672	MOLLA COMPR.BRACCIO OPER	RESSORT	SPRING	FEDER
20	3000055	POMOLO BRACCIO OPERANTE	POMMEAU BRAS OPERATEUR	OPERATING ARM KNOB	MONTIERARMGRIFF
21	4399954	VITE TCEI M 8x20 8.8 5931	VIS 8x20	SCREW 8x20	SCHRAUBE 8x20
22	3007996N	CARENAT. ABS PALO Q.222-NERO	BATI BRAS	ARM FRAME	ARMGESTELL
23	4399378	RONDELLA 10 (10,5x21x2)ZNT6592	RONDELLE D.10 (10,5x21x2)	WASHER D.10 (10,5x21x2)	BEILAGSSCHEIBE 10 (10,5x21x2)
24	4398284	VITE STEI 10x30 P.P. 5923	VIS 10X30	SCREW 10x30	SCHRAUBE 10x30
25	4299524	CAMICIA CILINDRO D.60	CHEMISE VERIN D.60	CYLINDER LINER D.60	ZYLINDERMANTEL D.60
26	4399135	VITE TCEI M 6x35 8.8	VIS 6x35	SCREW 6x35	SCHRAUBE 6x35
27	4299522	ANELLO TENUTA DEP 60-50-5	BAGUE D"ETANCHEITE"	SEALING RING	DICHTUNGSRING
28	4299523	PISTONE D.60	PISTON D.60	PISTON D.60	KOLBEN D.60
29	2099665	CILINDRO BLOCCAGGIO	VERIN DE BLOCAGE	LOCKING CYLINDER	SPERRZYLINDER
30	4197740	RACCORDO 6410 1/8"-4 S.RAPIDO	RACCORD RAPIDE 1/8"	QUICK UNION 1/8"	SCHNELLANSCHLUSS 1/8"
31	3007990	TUBO RILSAN 4x2 L=220	TUYAU RILSAN 4x2 L=220	RILSAN HOSE 4x2 L=220	SCHLAUCH 4x2 L=220
32	3007988	TUBO RILSAN BINATO 4X2,7 L=2200	TUYAU RILSAN 4x2,7 L=2200	RILSAN HOSE 4x2,7 L=2200	SCHLAUCH 4x2,7 L=2200
33	3002602	GUIDA TUBI PALO QUADRO AUT.	GLISSIERE	GUIDE	FUEHRUNG
34	3015677	VITE SPECIALE M12X60 P.C.3	VIS 12X60	SCREW 12X60	SCHRAUBE 12X60

35	4294966	MOLLA CARICO LEGG. GIALLA SL 26X25	RESSORT	SPRING	FEDER
36	4399865	DADO AUTOBL.M12 BASSO	ECROU DE VERROUILLAGE M12	SELF-LOCKING NUT M12	SELBSTSICHERNDE MUTTER M12
37	3012978	GANCIO SUPP.PISTOLETTA	CROCHET	HOOK	HAKEN
38	3015676	PIASTRA BLOCC.P.Q. S.224 N-ZNT. V.	PLAQUE BLOCAGE BRAS	ARM LOCKING PLATE	ARMSPANNPLATTE
39	4399889	DADO M6	ECROU M6	NUT M6	MUTTER M6
40	4399827	VITE TE 8x20 8.8 5739	VIS 8x20	SCREW 8x20	SCHRAUBE 8X20
41	4399947	RONDELLA 8 (9x32x4) ZNT 6593	RONDELLE 8 (9x32x4)	WASHER 8 (9x32x4)	BEILAGSSCHEIBE 8 (9X32X4)
42	3000181	RONDELLA AMM. MOTORE	RONDELLE	WASHER	BEILAGSSCHEIBE
43	4197741	RACCORDO 6500 1/8"-4 90' A.107	RACCORD 1/8"	UNION 1/8"	ANSCHLUSS 1/8"
44	4197210	RACCORDO 6521 1/8"-4 90' A.109	RACCORD 1/8"	UNION 1/8"	ANSCHLUSS 1/8"
45	4197209	MANICOTTO 2543 1/8" F.	MANCHON 2543 1/8" F	COUPLING 2543 1/8" F	MUFFE 2543 1/8" F
46	4199098	RACCORDO S6500 1/8" 6-4 S.RAPID	RACCORD RAPIDE 1/8" 6-4	QUICK UNION 1/8" 6-4	SCHNELLANSCHLUSS 1/8" 6-4
47	4399865	DADO AUTOBL.M12 BASSO.6S. 7474	ECROU DE VERROUILLAGE M12	SELF-LOCKING NUT M12	SELBSTSICHERNDE MUTTER M12
48	2117081	PALO VERTICALE	BRAS VERTICAL	VERTICAL ARM	SENKRECHTER ARM
49	3000599	PERNO X CROC. M12 L=50 TCEI	AXE M12 L=50	PIN M12 L=50	STIFT M12 L=50
50	4198993	RACCORDO POC 1/8"-6 S.R.6510	RACCORD RAPIDE 1/8"	QUICK UNION 1/8"	SCHNELLANSCHLUSS 1/8"
51	3000218	TUBO RILSAN 6X4 L=1200	TUYAU RILSAN 6x4 L=1200	RILSAN HOSE 6x4 L=1200	SCHLAUCH 6x4 L=1200
52	3000217	TUBO RILSAN 6X4 L=840	TUYAU RILSAN 6x4 L=840	RILSAN HOSE 6x4 L=840	SCHLAUCH 6x4 L=840
53	2008082	GR.CIL.RIB.EX BOLLINO ROSSO INT.	VERIN BASCULEMENT	TILTING CYLINDER	KIPPZYLINDER
54	2002831	GR.CIL.RIBALT.EX BOLLINO ROSSO	VERIN BASCULEMENT	TILTING CYLINDER	KIPPZYLINDER
55	3002624	ASTA CILINDRO RIBALT. L=309	TIGE VERIN L=309	CYLINDER ROD L=309	ZYLINDERSTANGE L=309
56	3199599	ANELLO SEEGER I D.30 JV	BAGUE SEEGER D.30	SEEGER RING D.30	SEEGER-RING D.30
57	3008085	VITE SPEC. TE M8x160 ZNT B.	VIS SPECIALE 8x160	SPECIAL SCREW M8x160	SONDERSCHRAUBE 8x160
58	3002294	FLANGIA ANTER. CIL. AUT.	BRIDE	FLANGE	FLANSCH
59	3199601	RASCH.BID. NSW 20-30-6 XNU01	SEGMENT RACLEUR	SCRAPER	KRATZSCHEIBE
60	4299168	NASTRO DI GUIDA ASTA CILINDRO	JOINT OR D.20,29x2,62	O-RING 20,29x2,62	O-RING 20,29X2,62
61	4298822	ANELLO OR 842 D.68,26x3,53	JOINT OR D.68,26x3,53	O-RING D.68,26x3,53	O-RING D.68,26x3,53
62	4399957	VITE STEI 6x8 P.COPPA 5929	VIS 6x8	SCREW 6x8	SCHRAUBE 6x8
63	3008084	CAMICIA CIL.RIBALT. L=135	CHEMISE VERIN L=135	CYLINDER LINER L=135	ZYLINDERMANTEL L=135
64	4198856	PISTONE MONOBLOCCO TDUOP D.75	PISTON D.75	PISTON D.75	KOLBEN D.75
65	4398753	RONDELLA 12,5x30x3 ZNT.	RONDELLE D.12,5x30x3	WASHER D.12,5x30x3	BEILAGSSCHEIBE D.12,5x30x3
66	3012265	DISTANZ. SUPP.PALO-BRUN.	ENTRETOISE	SPACER	DISTANZSTUECK

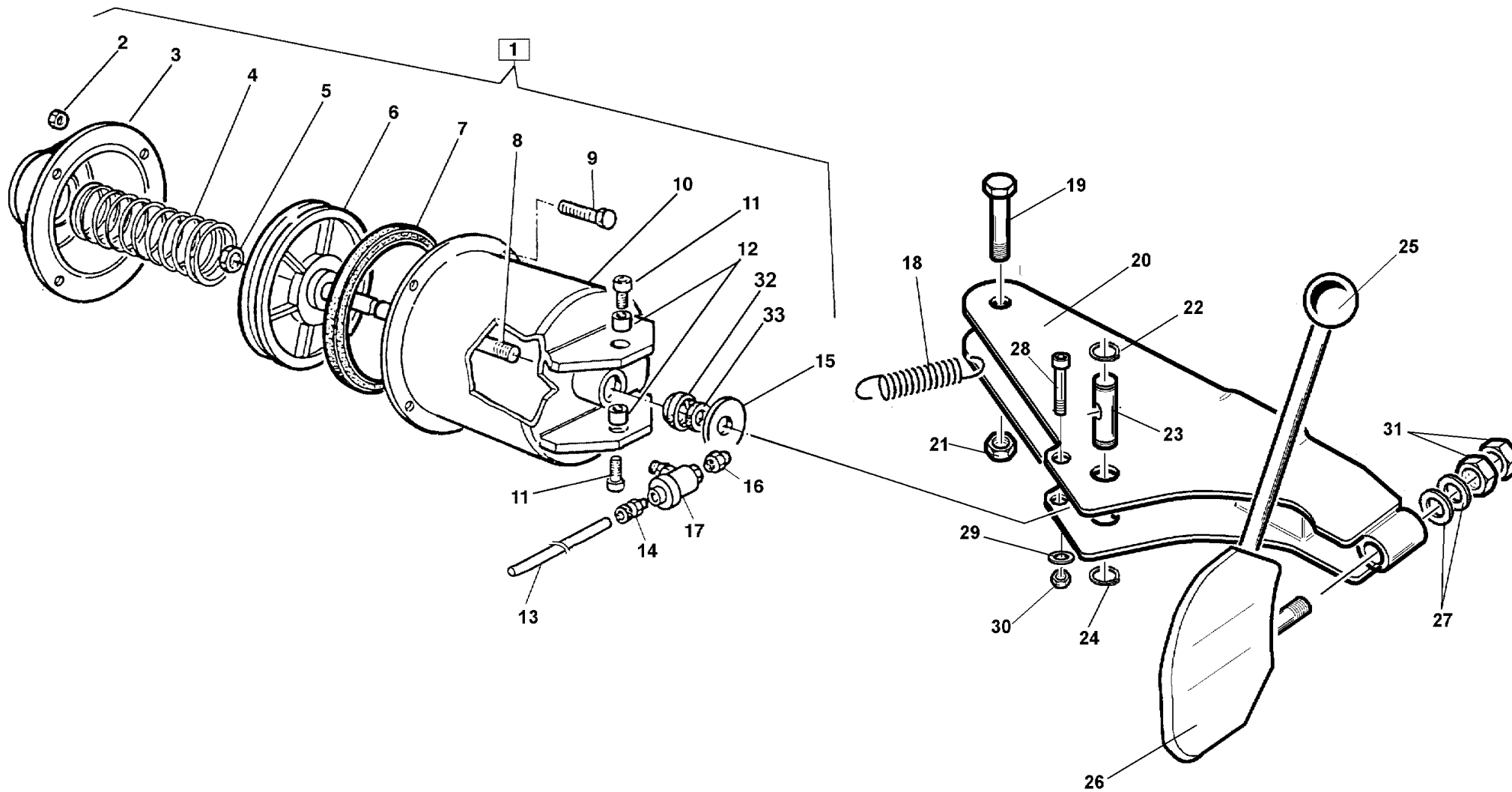
67	3002293	FLANGIA POSTER. CIL. AUT.	BRIDE	FLANGE	FLANSCH
68	4397678	DADO FLANGIATO M8 ZNT DIN 6923	ECROU BORDE" M8	FLANGED NUT M8	FLANSCHMUTTER M8
69	4398146	RASAMENTO D.24x30x1	CALE EN ACIER 24x30x1	STEEL SHIM 24x30x1	STAHLZWISCHENLAGE 24x30x1
70	4399539	VITE TCEI M12x110 12.9	VIS 12x110	SCREW 12x110	SCHRAUBE 12x110
71	4399981	RONDELLA 12 (13x24x2,5)ZNT6592	RONDELLE 12 (13x24x2,5)	WASHER 12 (13x24x2,5)	BEILAGSSCHEIBE 12 (13x24x2,5)
72	6612270	SUPP.PALO VERT.8030-NERO	SUPPORT BRAS	ARM SUPPORT	ARMTRAEGER
73	4399943	VITE TCEI M12x35	VIS 12x35	SCREW 12x35	SCHRAUBE 12x35
74	4399946	VITE TE 8x16 8.8 5739	VIS 8x16	SCREW 8x16	SCHRAUBE 8x16
75	4396358	VITE TCEI M12x25 8.8 5931	VIS TCEI 12x25 8.8	SCREW TCEI 12x25 8.8	SCHRAUBE TCEI 12x25 8.8
76	4399877	VITE TE 10x60 8.8 P.F. 5737	VIS 10x60	SCREW 10x60	SCHRAUBE 10x60
77	3012449	PROT.ANT.PALO V.222ABS-NERO	PROTECTION AVANT	FRONT PROTECTION	VORDERSCHUTZ
78	4398723	VITE TE 6x12 8.8 5739	VIS 6x12	SCREW 6x12	SCHRAUBE 6x12



1	3005604	DECALCO BOLLINO PE 27552 BSO	DECALCOMANIE	STICKER	ABZIEHBILD
2	4399892	VITE TE 6x20 8.8 5739	VIS M6x20 - 8.8	SCREW M6x20 - 8.8	SCHRAUBE M6x20 - 8.8
3	4398848	RONDELLA 6 (6,6x18x1,5)ZNT6593	RONDELLE 6 (6,6x18x1,5)	WASHER 6 (6,6x18x1,5)	SCHEIBE 6 (6,6x18x1,5)
4	2006040	CAVETTO TERRA SMTG AUTO L=340	CABLE DE TERRE	GROUND CABLE L=340	MASSEDRAHT L=340
5	3015342	STAFFA X SUPPORTO INVERT.	ETRIER DE SUPPORT	SUPPORT	WECHSLERSTUETZE
6	4399905	VITE TE 4x12 8.8 5739	VIS M4x12 - 8.8	SCREW M4x12 8.8	SCHRAUBE M4x12 8.8
7	4399996	DADO M 4 6S ALTO ZNT 5587	ECROU M4 6S	NUT M4 6S	MUTTER M4 6S
8	4399045	ROND. DEN.ES.IN. 3,2x12x0,5	RONDELLE 3,2x12x0,5	TOOTHED WASHER 3,2x12x0,5	ZAHNSCHEIBE 3,2x12x0,5
9	3002157	PEDALE COM.INVERT. ALL.	PEDALE	REVERSER CONTROL PEDAL	WECHSLERPEDAL
10	3015341	BIELLA COM.INVERT.-ZNT	BIELLE	CONNECTING ROD	PLEUELSTANGE
11	3000175	LEVA INVERTITORE	LEVIER D'INVERSEUR	REVERSER LEVER	WECHSLERHEBEL
12	4399893	DADO AUTOBL.M 6 BASSO.6S. 7474	ECROU A' BLOCAGE AUTOM. M6	SELF-LOCKING NUT M6	SELBSTSICHERNDE MUTTER M6
13	4398273	VITE AUTOF. TCEI 5,5x19	VIS AUTOTARADEUSE TCEI 5,5x19	SELF-TAPPING SCREW 5,5x19	BLECHSCHRAUBE 5,5x19
14	4399044	VITE TCEI M 3x12 12.9 5931	VIS 3x12 12,9	SCREW 3x12 12,9	SCHRAUBE 3x12 12,9
15	4399864	ANELLO SEEGER E D.12 7435	BAGUE SEEGER D.12	SEEGER RING D.12	SEEGER-RING D.12
16	4399998	RONDELLA 6 (6,4x12x1,6)ZNT6592	RONDELLE 6 (6,4x12x1,6)	WASHER 6 (6,4x12x1,6)	SCHEIBE 6 (6,4x12x1,6)
17	4599986	BLOCCAPASSAC.RETT.D.9 SB7 R/3	ARRET DE PASSE-CABLE D.9	CABLE HOLDER D.9	KABELDURCHGANG/SPERRE D.9
18	2001171	CAVO COLL.MOT.-INV. 3PH L=760	CABLE DE CONNEXION L=1500	CONNECTING CABLE L=1500	VERBINDUNGSKABEL L=1500
18	A 2000525	CAVO COLL.MOT.-INV. 1PH L=750	CABLE CONNEX. MOTEUR-INVERSEUR	CONNECTING CABLE	VERBINDUNGSKABEL
19	3015345	PROTEZIONE X INVERT.	PROTECTION INVERSEUR	REVERSER COVER	WECHSLERSCHUTZ
20	4595380	INVERTITORE 32A	INVERSEUR	1PH REVERSER	1PH WECHSLER
21	2001512	CAVO ALIMENT. 3PH L=3110	CABLE ALIMENTATION 3PH	3PH FEEDING CABLE	3PH - SPEISEKABEL
21	A 2000526	CAVO ALIMENT. 1PH L=3600	CABLE D'ALIMENTATION 1 PH	1PH FEEDING CABLE	EINPHASIGER SPEISEKABEL
22	2015450	GR.INVERT. 3PH NEW 20A	INVERSEUR 3PH NEW 20A	REVERSER UNIT 3PH NEW 20A	UMSCHALTER 3PH NEW 20A
22	A 2015404	GR.INVERT.NEW 1PH 25A	INVERSEUR 1PH NEW 20A	REVERSER UNIT 1PH NEW 20A	UMSCHALTER 1PH NEW 20A
23	2002449	PEDALIERA AUTOM. D.8 LEGA	PEDALIER D.8 - ALLIAGE	PEDAL CONTROL UNIT	PEDALEINHEIT
24	3018802	MOLLA RICH.PEDALE STALLONATORE	RESSORT RAPPEL PEDALE	PEDAL RETURN SPRING	PEDALRUECKZUGFEDER
25	3002161	BASAMENTO PEDALIERA	BASE DU PEDALIER	PEDAL BOX BASE	PEDALSITZ
26	3002159	PEDALE COM. AUTOC./STALL. ALL.	PEDALE DE COMMANDE	PEDAL	ZENTRIERTISCHPEDAL
27	3002160	PEDALE COM. RIBALT. ALL.	PEDALE DE COMMANDE	TILTING CONTROL PEDAL	UMKIPPENKONTROLLPEDAL
28	3003095	PERNO ALLINEAMENTO PED. L.337	GOUJON ALIGNEMENT PEDALES	PEDALS ALINGMENT PIN L.337	STIFT L=337

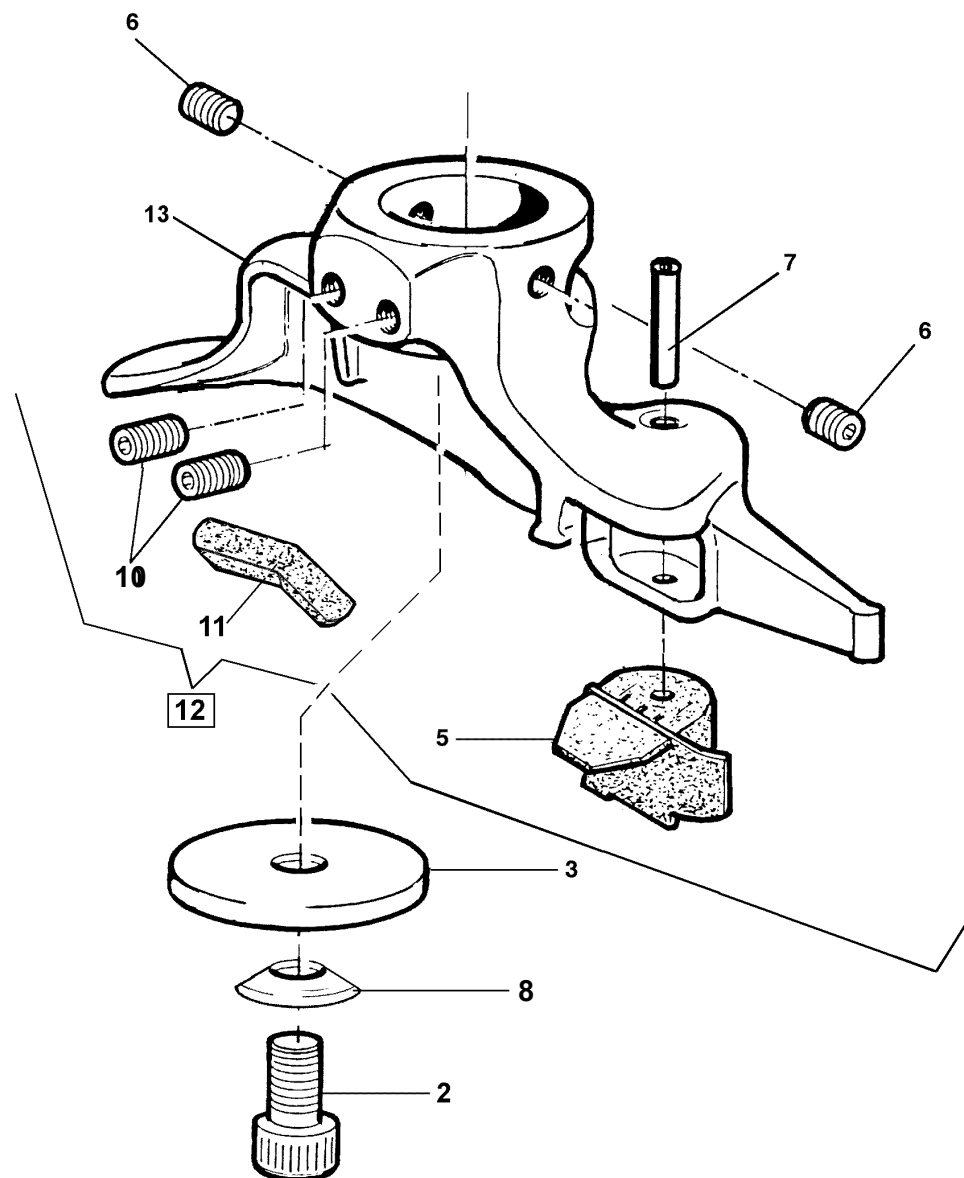
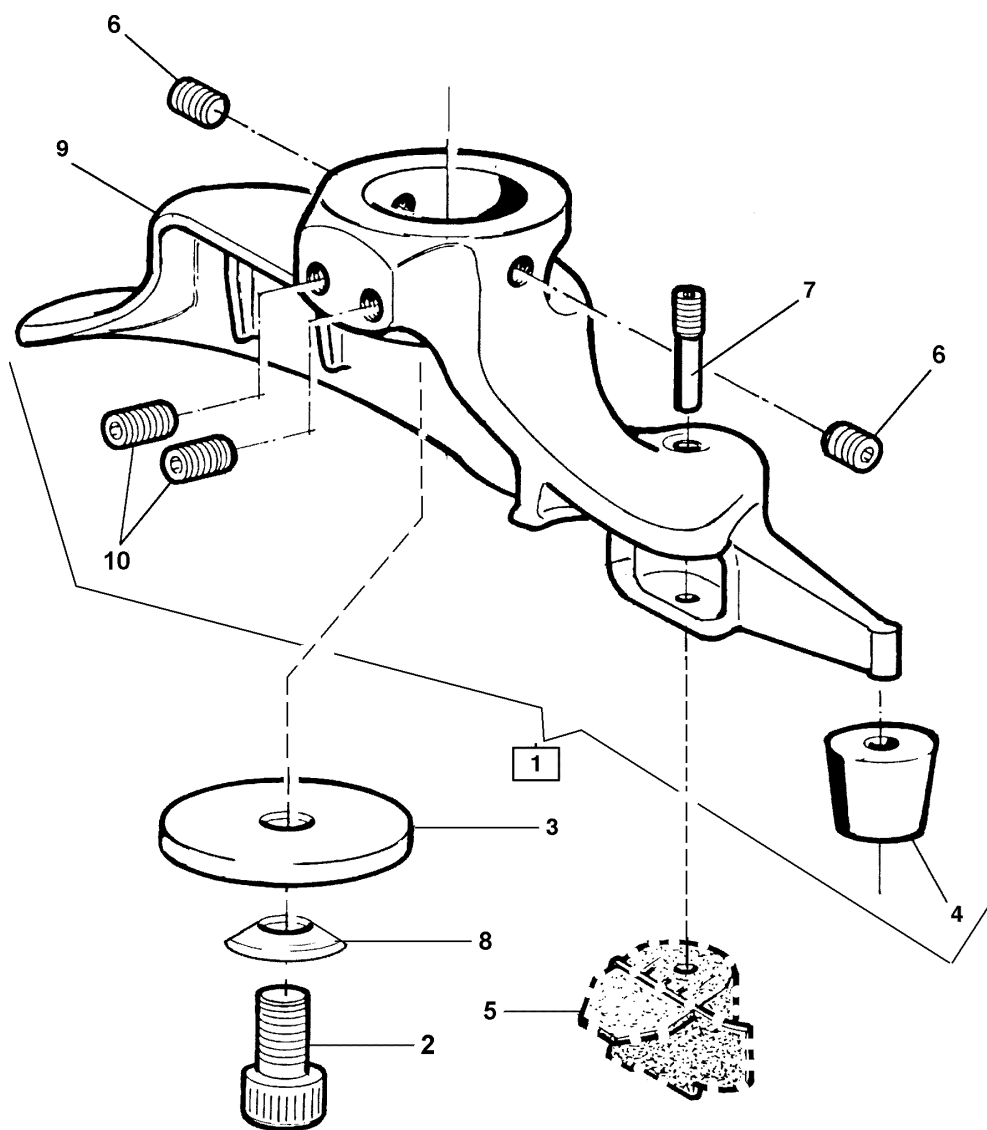
29	3007953	BOCCOLA D.18x12,5x21 PED.INV.	DOUILLE D.18X12,5X21	BUSH D.18x12,5x21	BUECHSE D.18X12,5X21
30	4399900	DADO AUTOBL.M 8 BASSO 6.S 7474	ECROU A' BLOCAGE AUTOMAT.	SELF-LOCKING NUT M8	SELBSTSICHERNDE MUTTER M8
31	4397649	VITE TE 6x50 8.8 PF ZNT 5737	VIS TE 6x50 8.8	SCREW 6x50 8.8	SCHRAUBE 6x50 8.8
32	3000142	MOLLA COMANDO PEDALE	RESSORT COMMANDE PEDALE	PEDAL CONTROL SPRING	FEDER
33	4399889	DADO M 6 6S ZNT 5588	ECROU M6	NUT M6	MUTTER M6
34	2002528	GR.VALVOLA STALL.IN LINEA	SOUPAPE	VALVE UNIT	VENTIL
35	2002529	GR.VALVOLA AUTOC.AUT. LINEA	SOUPAPE	TURNTABLE VALVE	VENTIL
36	2002531	GR.VALVOLA RIBALT. LINEA	SOUPAPE	TILTING CONTROL VALVE	KIPPSTEUERVENTIL
37	3002443	PERNO X VALVOLA PEDALE STALL.	AXE	PIN	STIFT
38	4398783	SPINA ELASTICA D.4x24 6874	GOUPILLE D.4x24	SPRING PIN D.4x24	FEDERSTIFT D.4x24
39	2002444	GR.VALVOLA LINEA SENZA PERNO	GROUPE SOUPAPE SANS GOUJON	VALVE UNIT WITHOUT PIN	VENTIL
40	4198778	RACCORDO 6410 1/8"-8 S.RAPIDO	RACCORD RAPIDE 6410 1/8" - 8	QUICK UNION 6410 1/8" - 8	SCHNELLANSCHLUSS 6410 1/8" - 8
41	3099335	TUBO RILSAN D. 8X6 L=750	TUYAU RILSAN D.8x6 L=740	RILSAN HOSE D.8x6 L=750	SCHLAUCH D.8x6 L=750
42	3001342	TUBO RILSAN D. 8X6 L=1000	TUYAU RILSAN D.8x6 L=1000	RILSAN HOSE D.8x6 L=1000	SCHLAUCH 8x6 L=1000
43	3000143	TUBO RILSAN 6X4 L=480	TUYAU RILSAN D.6x4 L=480	RILSAN HOSE D.6x4 L=480	SCHLAUCH 6x4 L=480
44	3002446	TUBO RILSAN D. 8X6 L=100	TUYAU RILSAN D.8/6 L=100	RILSAN HOSE D.8/6 L=100	SCHLAUCH D.8x6 L=100
45	3002442	PERNO X VALVOLA GRIFFE/RIBALT.	AXE	VALVE PIN	STIFT
46	4199610	SILENZIATORE 1 SFE 1/8"	SILENCIEUX 1/8"	SILENCER 1/8"	SCHALLDAEMPFER 1/8"
47	4198954	RACCORDO 6510 1/8"-8 S.RAPIDO	RACCORD RAPIDE 6510 1/8"-8	QUICK UNION 6510 1/8"-8	SCHNELLANSCHLUSS 6510 1/8"-8
48	3000145	TUBO ELASTOLAN D. 8X6 L=350	TUYAU RILSAN D.8x6 L=350	RILSAN HOSE D.8x6 L=350	SCHLAUCH D.8x6 L=350
49	4299910	CAVALLOTTO GUIDA BIELLA	GUIDE-BIELLE	CONNECTING ROD GUIDE	PLEUELSTANGENFUEHRUNG
50	4399891	VITE AUTOF.TC+ 2,9x6,5 ZNT	VIS AUTOTARADEUSE 2,9x6,5	SELF-TAPPING SCREW 2,9x6,5	BLECHSCHRAUBE 2,9x6,5
51	4399894	MOLLA TAZZA 8,2X18X1 2093	RESSORT 8,2x18x1	BELLEVILLE WASHER 8,2x18x1	FEDER 8,2x18x1
52	4299912	BIELLA PER CAMME	BIELLE	CONNECTING ROD	PLEUELSTANGE
53	4299911	BALESTRA A FORCELLA	RESSORT A LAME	FORKED LEAF SPRING	GABELFEDER
54	4398274	VITE AUTOF. TCEI 5,5x26	VIS AUTOTARADEUSE 5,5x26	SELF-TAPPING SCREW 5,5x26	BLECHSCHRAUBE 5,5x26
55	4399122	ROND. DEN.ES."A" 8,4x15x0,8	RONDELLE D.8	TOOTHED WASHER 8,4x15x0,8	ZAHNSCHEIBE 8,4x15x0,8
56	4299913	CAMMA DOPPIA	CAME	DOUBLE CAM	DOPPELKAMM
57	3000218	TUBO RILSAN 6X4 L=1200	TUYAU RILSAN D.6x4 L=1200	RILSAN HOSE D.6x4 L=1200	SCHLAUCH 6x4 L=1200
58	3000146	TUBO RILSAN 6X4 L=750	TUYAU RILSAN D.6x4 L=750	RILSAN HOSE D.6x4 L=750	SCHLAUCH 6x4 L=750
59	3000212	TUBO RILSAN BINATO 6X4 L=2200	TUYAU RILSAN 6x4 L=2200	RILSAN HOSE 6x4 L=2200	SCHLAUCH 6x4 L=2200
60	4199928	RACCORDO 1631-02 1/8"	RACCORD 1/8"	UNION 1/8"	ANSCHLUSS 1/8"

61	4199842	RACCORDO 1610 1/8" 8 - 6	RACCORD 1/8" -8	UNION 1/8" -8	ANSCHLUSS 1/8" -8
62	4199927	RACCORDO 6610 1/8" 6/4 S.RAP.	RACCORD 1/8" -6	UNION 1/8" -6	ANSCHLUSS 1/8" -6
63	4198993	RACCORDO 6510 1/8"-6 S.RAPIDO	RACCORD 6510 1/8"-6 RAPIDE	QUICK UNION 1/8"-6	SCHNELLANSCHLUSS 1/8"-6
64	4199843	REGOL.SCAR.SILENZ.SVE 1/8"	REGLAGE SILENCIEUX 1/8"	SILENCER OUTLET ADJUSTER 1/8"	ABLASSAUSTEILER 1/8"
65	3001583	VALVOLA DISTRIB.-SENZA CHIAVET	SOUPAPE DISTRIBUTION	DISTRIBUTION VALVE	VENTIL
66	4299000	ANELLO OR 9,8x3,85	JOINT OR 9,8x3,85	O-RING 9,8x3,85	O-RING 9,8x3,85
67	3001584	DISTANZIALE X VALVOLA 3001583	ENTRETOISE	SPACER FOR VALVE 3001583	ABSTANDSSTUECK
68	3001585	FLANGIA X VALVOLA 3001583	BRIDE POUR SOUPAPE 3001583	FLANGE for VALVE 3001583	FLANSCH
69	4398999	VITE AUTOF. TCIC 3,5x13 6954	VIS AUTOTARADEUSE 3,5x13	SELF-TAPPING SCREW 3,5x13	BLECHSCHRAUBE 3,5x13
70	4198978	RACCORDO 6540 8	RACCORD	UNION	ANSCHLUSS
71	4198990	RACCORDO S6500 1/8"-8 S.RAPIDO	RACCORD RAPIDE 6500 1/8" - 8	QUICK UNION 6500 1/8" - 8	SCHNELLANSCHLUSS 6500 1/8" - 8
72	2115340	SUPPORTO INVERT.	ETRIER DE SUPPORT	SUPPORT	WECHSLERSTUETZE
73	4398723	VITE TE 6x12	VIS 6x12	SCREW 6x12	SCHRAUBE 6x12
74	3013333	MOLLA RICH.PEDALE W. NEW	RESSORT RAPPEL PEDALE	PEDAL RETURN SPRING	RUECKZUGFEDER

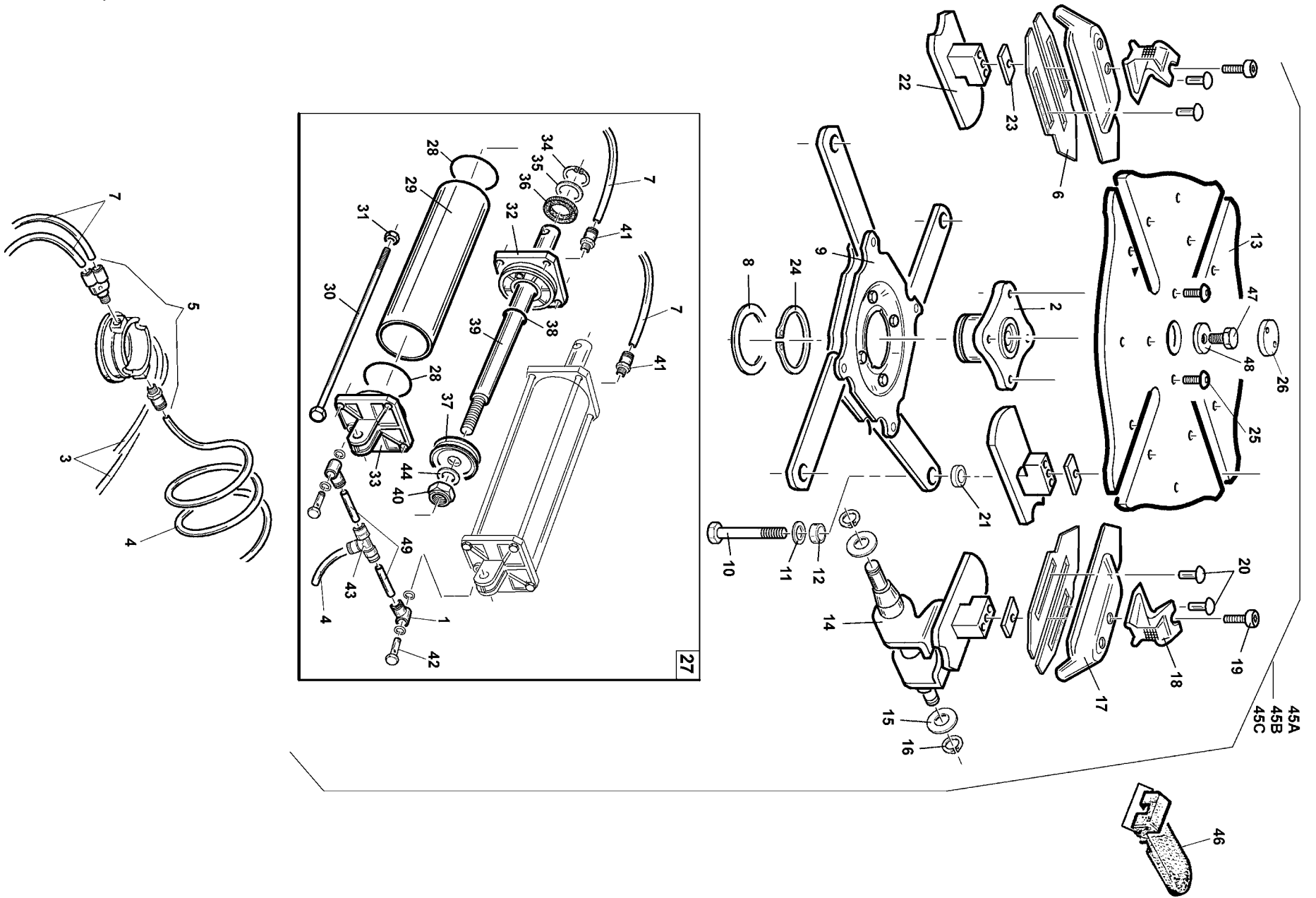


**STALLONATORE - DECOLLE-TALONS
BEAD BREAKER - WULSTABDÜCKVORRICHTUNG**

1	2012090	GR.CILINDRO STALLONATORE 8030	CYLINDRE DECOLLEUR	BEAD BREAKER CYLINDER	ZYLINDER
2	4399976	DADO M 8 6S ZNT 5588	ECROU M8	NUT M8	MUTTER M8
3	3000125	FONDELLO CILINDRO STALLONATORE	CULOT CYLINDRE DECOLLEUR	CYLINDER BASE	ZYLINDERENDSCHEIBE
4	3000124	MOLLA CILINDRO STALLONATORE	RESSORT	SPRING	FEDER
5	4399963	DADO AUTOBL.M16 BASSO.6S. 7474	ECROU A' BLOCAGE AUTOM. M16	SELF-LOCKING NUT M16	SELBSTSICHERNDE MUTTER M16
6	3000122	PISTONE CILINDRO STALLONATORE	PISTON	PISTON	ZYLINDERKOLBEN
7	4299937	ANELLO TENUTA DE 725	JOINT A LEVRE	GROMMET	DICHTUNGSRING
8	3012091	ASTA PIST.STALL. D.16 L=465	TIGE DE PISTON D.16 L=465	PISTON SHAFT D.16 L=465	KOLBENSTANGE D.16 L=465
9	4399946	VITE TE 8x16 8.8 5739	VIS M8x16 8.8	SCREW M8x16 8.8	SCHRAUBE M8x16 8.8
10	2012817	CILINDRO STALLONATORE C. D.16	CYLINDRE DECOLLEUR	BEAD BREAKER CYLINDER	ZYLINDER
11	4399943	VITE TCEI M12x35 12.9 5931	VIS M12x35 12.9	SCREW M12x35 12.9	SCHRAUBE M12x35 12.9
12	3000117	BOCCOLA PER CILINDRO STALL.	DOUILLE	BUSH	BUECHSE
13	3000143	TUBO RILSAN 6X4 L=480	TUYAU RILSAN D.6x4 L=480	RILSAN HOSE D.6x4 L=480	SCHLAUCH 6x4 L=480
14	4198993	RACCORDO 6510 1/8"-6 S.RAPIDO	RACCORD 6510 1/8"-6 RAPIDE	QUICK UNION 1/8"-6	SCHNELLANSCHLUSS 1/8"-6
15	4299719	AMMORTIZZATORE D.16,5x59x5	AMORTISSEUR	SHOCK-ABSORBER D.16,5x59x5	STOSSDAEMPFER 16,5x59x5
16	4198808	SILENZIATORE 1/4" SPEC. D.24	ATTENUATEUR DE BRUIT 1/4"	SILENCER 1/4"	SCHALLDAEMPFER 1/4"
17	4199671	VALVOLA SCARICO RAPIDO DA 1/4"	SOUPAPE DECHARGE RAPIDE 1/4"	DUMP VALVE	SCHNELLABLASSVENTIL 1/4"
18	3000114	MOLLA BRACCIO STALLONATORE	RESSORT BRAS DECOLLEUR	ARM SPRING	ARMFEDER
19	4399945	VITE TE 16x100 8.8 P.F. 5737	VIS TE 16x100	SCREW TE 16x100	SCHRAUBE TE 16x100
20	6613997	BRACCIO STALL.8030-NERO	BRAS DECOLLEUR	BEAD BREAKING ARM	WULSTABDRUECKARM
21	4399963	DADO AUTOBL.M16 BASSO.6S. 7474	ECROU DE VERROUILLAGE M16	SELF-LOCKING NUT M16	SELBSTSICHERNDE MUTTER M16
22	4399979	ANELLO SEEGER E D.30 7435	BAGUE SEEGER D.30	SEEGER RING D.30	SEEGER RING D.30
23	3000113	PERNO ORIENTABILE ASTA D.16	PIVOT	PIVOT PIN D.16	DREHZAPFEN D.16
24	4399975	ANELLO SEEGER E D.20 7435	BAGUE SEEGER D.20	SEEGER RING D.20	SEEGER RING D.20
25	4299952	POMOLO D.12	POMMEAU D.12	KNOB D.12	KUGELGRIFF D.12
26	2112271	PALETTA STALL.D.20/30 S222-ZNT	PALE DECOLLE-TALONS	BEAD BREAKING PLATE	WULSTABDRUECKSCHAUFEL
27	4398899	MOLLA TAZZA 14,3x34x1,5	RESSORT BELLEVILLE 14,3x34x1,5	BELLEVILLE SPRING 14,3x34x1,5	BELLEVILLE FEDER 14,3x34x1,5
28	4398878	VITE TCEI M 8x70 8.8 5931	VIS 8x70	SCREW 8x70	SCHRAUBE 8x70
29	4399829	RONDELLA 8 (8,4x16x1,5)ZNT6592	RONDELLE 8 (8,4X16X1,5)	WASHER 8 (8,4x16x1,5)	BEILAGSSCHEIBE 8 (8,4x16x1,5)
30	4399900	DADO AUTOBL.M 8 BASSO 6.S 7474	ECROU DE VERROUILLAGE M8	SELF-LOCKING NUT M8	SELBSTSICHERNDE MUTTER M8
31	4396941	DADO M14 6S BASSO ZNT 5589	ECROU M14	NUT M14	MUTTER M14
32	4296391	ANELLO GUIDA WRI 16	BAGUE DE GUIDAGE	GUIDE RING	FUEHRUNGSRING
33	4296390	ANELLO RASCH.BID. NSW 16-26-5	SEGMENT RACLEUR	SCRAPER	KRATZSCHEIBE

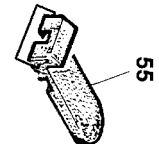
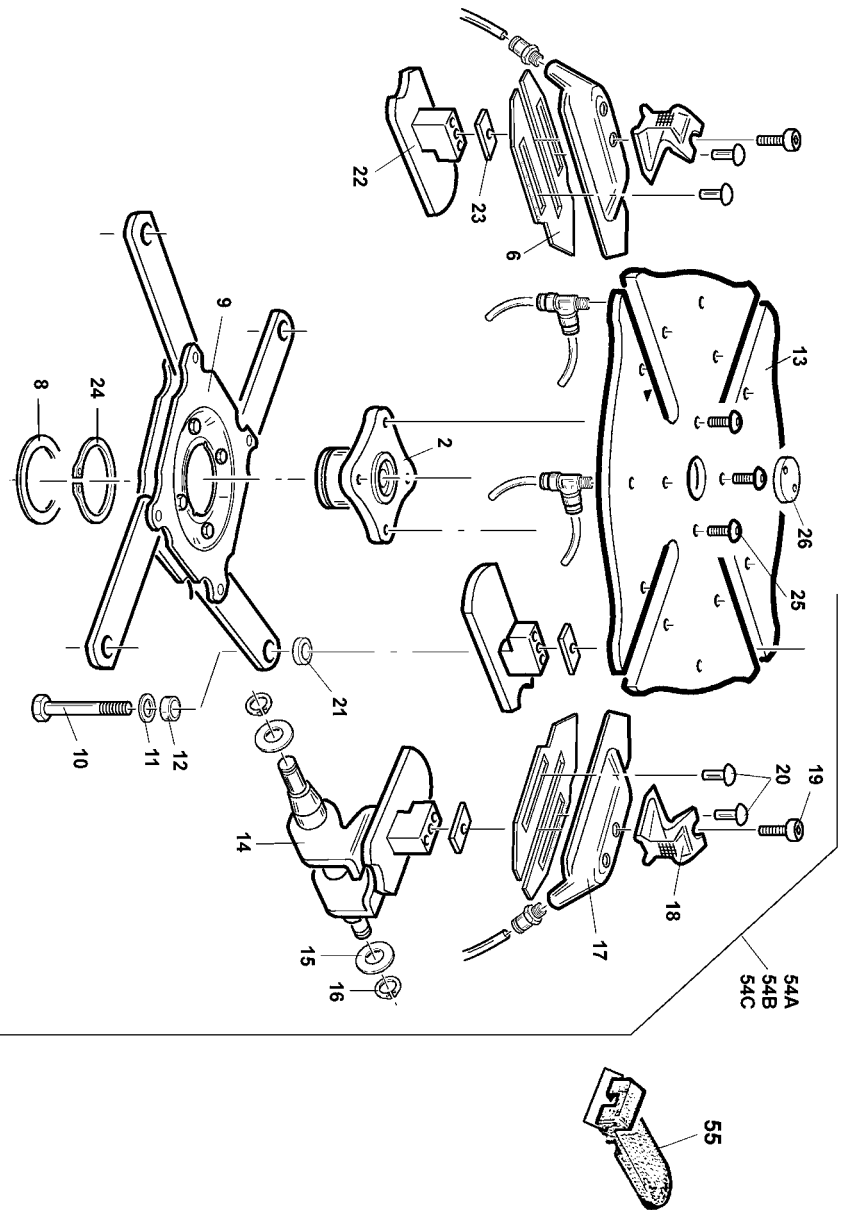
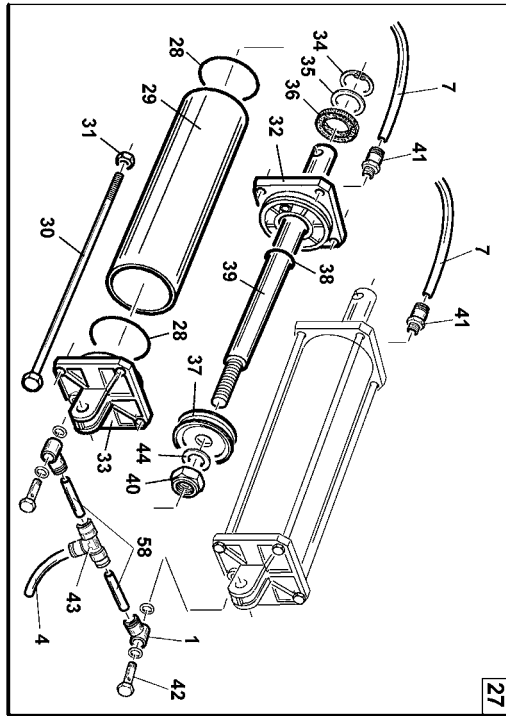
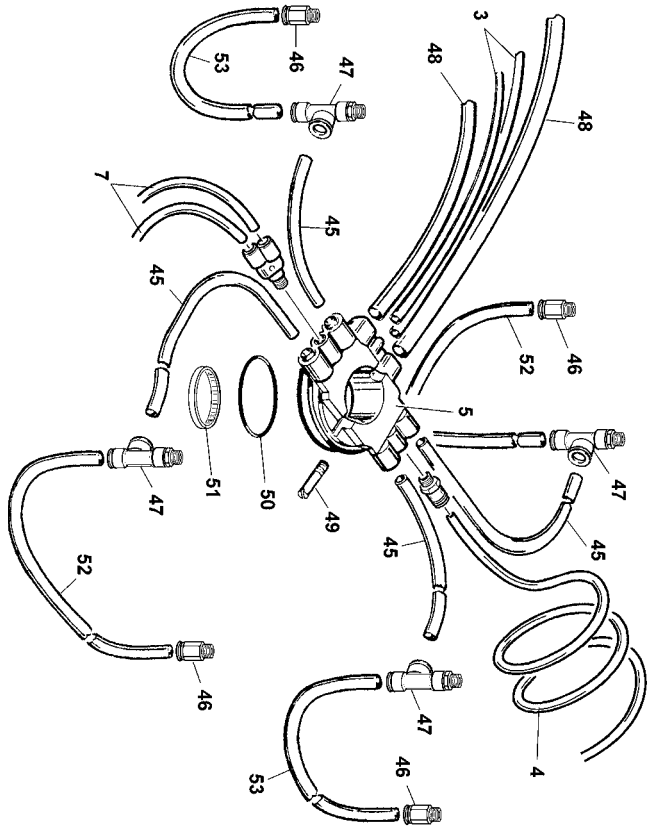


1	2002215	TORRETTA INTEGR.ORIENT. COMPL.	SWINGING MOUNTING HEAD	TETE DE MONTAGE	MONTIERWERKZEUG
2	4399953	VITE TE 10x16 8.8 5739	SCREW M10x16 8.8	VIS M10x16 8.8	SCHRAUBE M10x16 8.8
3	4395804	RONDELLA DIN6319 "G" 14,2x35x5	WASHER DIN6319 "G" 14,2x35x5	RONDELLE DIN6319 "G" 14,2x35x5	BEILAGSSCHEIBE DIN6319 "G" 14,2x35x5
4	3000215	RULLINO PER UNGHIA	PEAK ROLL	GALET	ROLLE
5	3006689	INSERTO PLAST. X TORR. INTEGR.	PLASTIC INSERT	INSERT EN PLASTIQUE	PLASTIKEINSATZSTUECK
6	4395530	VITE STEI 12x12 P.COPPA 5927	SCREW STEI M12x12	VIS STEI M12x12	SCHRAUBE STEI M12x12
7	3009018	PERNO SPEC.D.5 M6 L=26	SPECIAL PIN D.5 M6 L=26	AXE SPECIAL D.5 M6 L=26	SONDERSTIFT D.5 M6 L=26
8	4395805	RONDELLA DIN6319 "C" 10,2x21x4	WASHER DIN6319 "C" 10,2x21x4	RONDELLE DIN6319 "C" 10,2x21x4	BEILAGSSCHEIBE DIN6319 "C" 10,2x21x4
9	3002214	UTENSILE INT. ORIENT. -ZNT B.	SWINGING TOOL	OUTIL PIVOTANT	SCHWENKWERKZEUG
10	4395529	VITE STEI 12x16 P.P.	SCREW 12x16	VIS 12x16	SCHRAUBE 12x16
11	3013650	INSERTO INFER. X TORR. INTEGR.	PLASTIC INSERT	INSERT EN PLASTIQUE	KUNSTSTOFFEINSATZSTUECK
12	2014250	TORRETTA INTEGR.OR.STRONG COMPL.	MOUNTING TOOL	OUTIL DE MONTAGE	MONTIERWERKZEUG



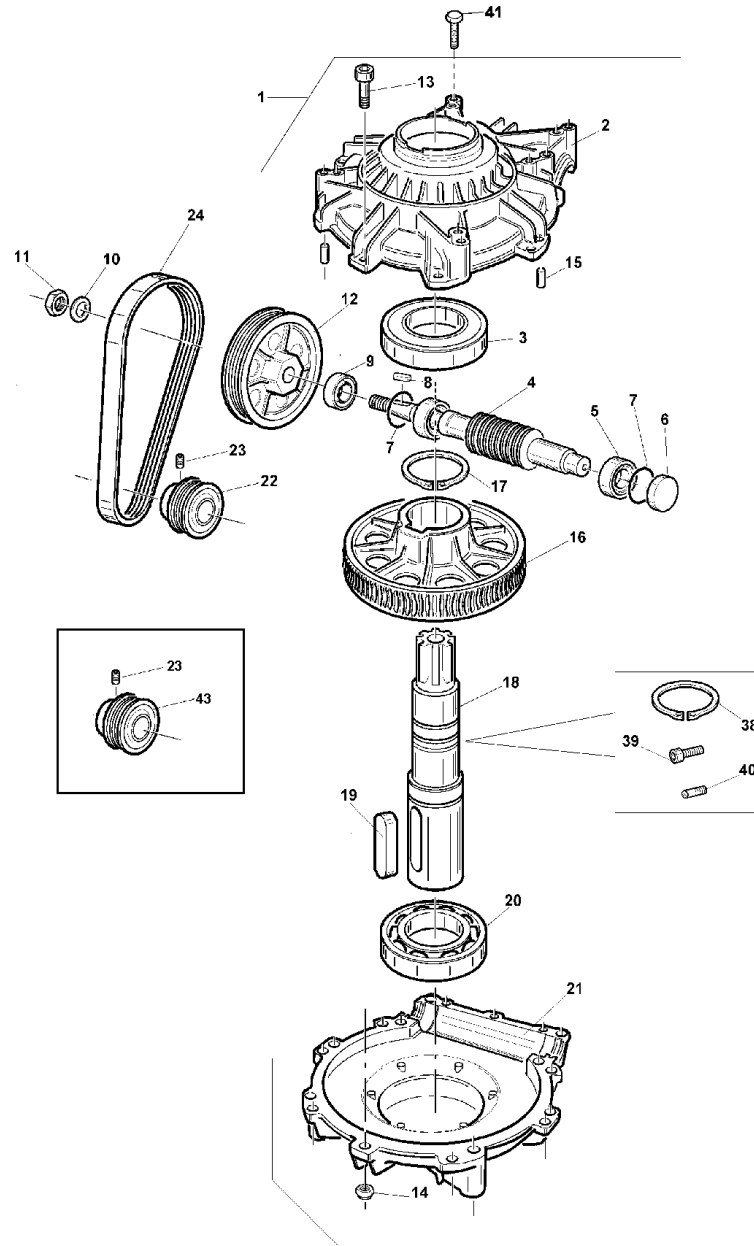
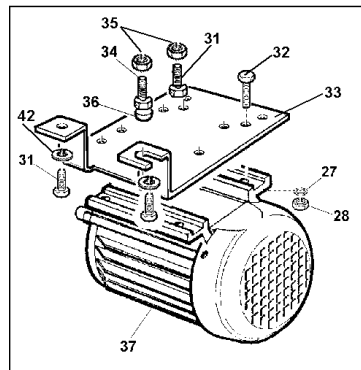
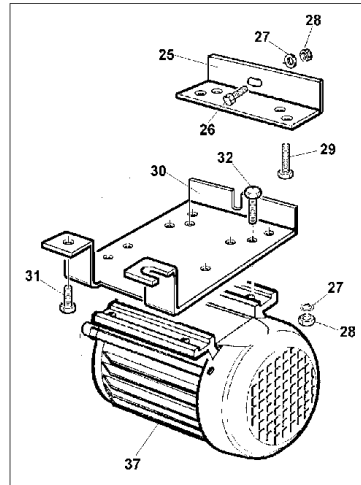
1	4197819	RACCORDO 6610 1/8" 8/6 S.RAP.	QUICK UNION 1/8" 8-6	RACCORD RAPIDE 1/8" 8-6	SCHNELLANSCHLUSS 1/8" 8-6
2	3015088	MOZZO AUTOC. 4C ALU	HUB	MOYEU	NABE
3	3099335	TUBO ELASTOLAN D. 8X6 L=750	HOSE 8x6 L=750	TUYAU 8x6 L=750	SCHLAUCH 8x6 L=750
4	3016820	SPIRALE RILSAN 8X6 L=560	RILSAN SPIRAL HOSE 8X6 L=560	TUYAU SPIRALE RILSAN 8X6 L=560	SPIRALENSCHLAUCH 8X6 L=560
5	4295067	RACCORDO GIREVOLE "Y"	ROTATING UNION	RACCORD PIVOTANT	DREHANSCHLUSS
6	3016055	PIASTRINA AUTOC. 20"	PLATE FOR TURNTABLE 20"	PLAQUE POUR PLAT. CENTR. 20"	PLATTE FUER ZENTRIERTISCH 20"
7	3000870	TUBO ELASTOLAN D. 8X6 L=240	HOSE 8x6 L=240	TUYAU 8x6 L=240	SCHLAUCH 8x6 L=240
8	4395447	ANELLO SEEGER EST. D.85	SEEGER RING D.85	JOINT SEEGER D.85	SEEGER RING D.85
9	2016026	FLANGIA X AUTOC. MOZZO ALL.	FLANGE	BRIDE	FLANSCH
10	4398838	VITE TE 12x1,25x45 8.8 PF	SCREW 12x1,25x45	VIS 12x1,25x45	SCHRAUBE 12x1,25x45
11	4398637	RONDELLA 12x21x2,5	WASHER D.12x21x2,5	RONDELLE D.12x21x2,5	BEILAGSSCHEIBE D.12x21x2,5
12	3006880	DISTANZIALE BIELLA UNIF.12x18x9	SPACER	ENTRETOISE	DISTANZSTUECK
13	3015245	PIATTO AUTOC. 2C FIORE 20"-sp12-ZNT	TURNTABLE 20"	PLATEAU CENTREUR 20"	ZENT
14	2112879	GUIDA SCOR.PERNO 22"UNIF.	PIN SLIDING GUIDE 22"	GUIDAGE COULISSANTE AXE 22"	GLEITFUEHRUNG 22"
15	4399981	RONDELLA 12 (13x24x2,5)	WASHER 12 (13x24x2,5)	RONDELLE 12 (13x24x2,5)	BEILAGSSCHEIBE 12 (13x24x2,5)
16	4399864	ANELLO SEEGER E D.12	SEEGER RING D.12	BAGUE SEEGER D.12	SEEGER-RING D.12
17	3006255	SCORREVOLE UNIF.	SLIDE	PATIN	SCHLITTEN
18	3002297	GRIFFA BLOCCAGGIO MAGGIORATA	CLAMP	MORS	SPANNKLAUE
19	4398037	VITE TCEI M10x1,25x25	SCREW 10x1,25x25	VIS 10x1,25x25	SCHRAUBE 10x1,25x25
20	3015269	PERNO GUIDA SCORREV.D.9	PIN	AXE	STIFT
21	3006879	DISTANZIALE AUTOC. UNIF.	SPACER	ENTRETOISE	DISTANZSTUECK
22	2112878	GUIDA SCORR.22" UNIF.-ZNT VERDE	SLIDING GUIDE 22"	GUIDAGE COULISSANT 22"	GLEITFUEHRUNG 22"
23	3006876	SPESSORE SCORR.UNIF. 1,5-BRUN.	SHIM	CALE	DISTANZSTUECK
24	3015864	ANELLO PER MOZZO ZNT. VERDE	RING	BAGUE	RING
25	4395235	VITE TBEI 12x25 10.9 UBK	SCREW TBEI 12x25 10.9 UBK	VIS TBEI 12x25 10.9 UBK	SCHRAUBE TBEI 12x25 10.9 UBK
26	3000062	PROTEZIONE CENTRALE PIATTO	PROTECTION	PROTECTION	SCHUTZ
27	2008060	GR.CILINDRO AUT.20" INT.	20" TURNTABLE CYLINDER	VERIN CENTREUR 20"	20" ZENTRIERTISCHZYLINDER
28	4298822	ANELLO OR 842 D.68,26x3,53	O-RING D.68,26x3,53	JOINT OR D.68,26x3,53	O-RING D.68,26x3,53
29	3008042	CAMICIA CIL. 20" L=345	CYLINDER LINER 20" L=345	CHEMISE VERIN 20" L=345	ZYLINDERMANTEL 20" L=345
30	3007941	VITE SPECIALE TE M8x369	SPECIAL SCREW M8x369	VIS SPECIALE 8x369	SONDERSCHRAUBE M8x369

31	4397678	DADO FLANGIATO M8	FLANGED NUT M8	ECROU BORDE" M8	FLANSCHMUTTER M8
32	3015024	FLANGIA ANTER.D.75-PRF	FLANGE	BRIDE	FLANSCH
33	3015023	FLANGIA POSTER.D.75-PRF	FLANGE	BRIDE	FLANSCH
34	3199599	ANELLO SEEGER I D.30 JV	SEEGER RING D.30	BAGUE SEEGER D.30	SEEGER-RING D.30
35	4398146	RASAMENTO 24x30x1	STEEL SHIM 24x30x1	CALE EN ACIER 24x30x1	STAHLZWISCHENLAGE 24x30x1
36	3199601	ANELLO RASCH.BID.L7 NSW 20 30 6/CO	SCRAPER	SEGMENT RACLEUR	KRATZSCHEIBE
37	4198856	PISTONE MONOBLOCCO TDUOP D.75	PISTON D.75	PISTON D.75	KOLBEN D.75
38	4299168	ANELLO OR 3081 D.20,29x2,62	O-RING 20,29x2,62	JOINT OR D.20,29x2,62	O-RING 20,29X2,62
39	3002901	ASTA CILINDRO AUT.20" L=400	CYLINDER ROD 20" L=400	TIGE VERIN 20" L=400	ZYLINDERSTANGE 20" L=400
40	4399865	DADO AUTOBL.M12 BASSO.6S.	SELF-LOCKING NUT M12	ECROU DE VERROUILLAGE M12	SELBSTSICHERNDE MUTTER M12
41	4198954	RACCORDO 6512 1/8"-8 S.R.	QUICK UNION 1/8"	RACCORD RAPIDE 1/8"	SCHNELLANSCHLUSS 1/8"
42	4199929	RACCORDO 1631-01 1/8"	UNION 1/8"	RACCORD 1/8"	ANSCHLUSS 1/8"
43	4198978	RACCORDO 6540 8	UNION	RACCORD	ANSCHLUSS
44	4398753	RONDELLA 12,5x30x3	WASHER D.12,5x30x3	RONDELLE D.12,5x30x3	BEILAGSSCHEIBE D.12,5x30x3
45A	2016088	AUROC. 2C FIORE 20"	TURNTABLE 20"	PLATEAU CENTREUR 20"	ZENTRIERTISCH 20"
45B	2016787	AUROC. 2C FIORE 11-21"	TURNTABLE 11-21"	PLATEAU CENTREUR 11-21"	ZENTRIERTISCH 11-21"
45C	2016789	AUROC. 2C FIORE 12-22"	TURNTABLE 12-22"	PLATEAU CENTREUR 12-22"	ZENTRIERTISCH 12-22"
46	2006393	PROTEZ.INTEGRALE GRIFFA COMPL.	CLAMP COVER	PROTECTION MORS	KLAUENSCHUTZ56
47	4395179	VITE TE 16x1,5x45 8.8	SCREW 16x1,5x45 8.8	VIS 16x1,5x45 8.8	SCHRAUBE 16x1,5x45 8.8
48	4395014	RONDELLA 17X30X3 UNI 6592 R80	WASHER D.17X30X3	RONDELLE D.17X30X3	BEILAGSSCHEIBE D.17X30X3
49	3016819	TUBO ELASTOLAN 8X6 L=75	ELASTOLAN HOSE 8X6 L=75	TUYAU ELASTOLAN 8X6 L=75	ELASTOLAN SCHLAUCH 8X6 L=75



1	4197819	RACCORDO 6610 1/8" 8/6 S.RAP.	QUICK UNION 1/8" 8-6	RACCORD RAPIDE 1/8" 8-6	SCHNELLANSCHLUSS 1/8" 8-6
2	3015088	MOZZO AUTOC. 4C ALU	HUB	MOYEU	NABE
3	3099335	TUBO ELASTOLAN D. 8X6 L=750	HOSE 8x6 L=750	TUYAU 8x6 L=750	SCHLAUCH 8x6 L=750
4	3016820	SPIRALE RILSAN 8X6 L=560	RILSAN SPIRAL HOSE 8X6 L=560	TUYAU SPIRALE RILSAN 8X6 L=560	SPIRALENSCHLAUCH 8X6 L=560
5	4298992	RACCORDO GIREVOLE "Y" GT	ROTATING UNION "Y" GT	RACCORD PIVOTANT "Y" GT	DREHANSCHLUSS "Y" GT
6	3016055	PIASTRINA AUTOC. 20"	PLATE FOR TURNTABLE 20"	PLAQUE POUR PLAT. CENTR. 20"	PLATTE FUER ZENTRIERTISCH 20"
7	3000870	TUBO ELASTOLAN D. 8X6 L=240	HOSE 8x6 L=240	TUYAU 8x6 L=240	SCHLAUCH 8x6 L=240
8	4395447	ANELLO SEEGER EST. D.85	SEEGER RING D.85	JOINT SEEGER D.85	SEEGER RING D.85
9	2016026	FLANGIA X AUTOC. MOZZO ALL.	FLANGE	BRIDE	FLANSCH
10	4398838	VITE TE 12x1,25x45 8.8 PF	SCREW 12x1,25x45	VIS 12x1,25x45	SCHRAUBE 12x1,25x45
11	4398637	RONDELLA 12x21x2,5	WASHER D.12x21x2,5	RONDELLE D.12x21x2,5	BEILAGSSCHEIBE D.12x21x2,5
12	3006880	DISTANZIALE BIELLA UNIF.12x18x9	SPACER	ENTRETOISE	DISTANZSTUECK
13	3015245	PIATTO AUTOC. 2C FIORE 20"-sp12-ZNT	TURNTABLE 20"	PLATEAU CENTREUR 20"	ZENTRIERTISCH 20"
14	2112879	GUIDA SCOR.PERNO 22"UNIF.	PIN SLIDING GUIDE 22"	GUIDAGE COULISSANTE AXE 22"	GLEITFUEHRUNG 22"
15	4399981	RONDELLA 12 (13x24x2,5)	WASHER 12 (13x24x2,5)	RONDELLE 12 (13x24x2,5)	BEILAGSSCHEIBE 12 (13x24x2,5)
16	4399864	ANELLO SEEGER E D.12	SEEGER RING D.12	BAGUE SEEGER D.12	SEEGER-RING D.12
17	2107387	SCORREVOLE GT UNIF.-ZNT B.	GT SLIDE	PATIN GT	GT SCHLITTEN
18	3002297	GRIFFA BLOCCAGGIO MAGGIORATA	CLAMP	MORS	SPANNKLAUE
19	4398037	VITE TCEI M10x1,25x25	SCREW 10x1,25x25	VIS 10x1,25x25	SCHRAUBE 10x1,25x25
20	3015269	PERNO GUIDA SCORREV.D.9	PIN	AXE	STIFT
21	3006879	DISTANZIALE AUTOC. UNIF.	SPACER	ENTRETOISE	DISTANZSTUECK
22	2112878	GUIDA SCORR.22" UNIF.-ZNT VERDE	SLIDING GUIDE 22"	GUIDAGE COULISSANT 22"	GLEITFUEHRUNG 22"
23	3006876	SPESSORE SCORR.UNIF. 1,5-BRUN.	SHIM	CALE	DISTANZSTUECK
24	3015864	ANELLO PER MOZZO ZNT. VERDE	RING	BAGUE	RING
25	4395235	VITE TBEI 12x25 10.9 UBK	SCREW TBEI 12x25 10.9 UBK	VIS TBEI 12x25 10.9 UBK	SCHRAUBE TBEI 12x25 10.9 UBK
26	3000062	PROTEZIONE CENTRALE PIATTO	PROTECTION	PROTECTION	SCHUTZ
27	2008060	GR.CILINDRO AUT.20" INT.	20" TURNTABLE CYLINDER	VERIN CENTREUR 20"	20" ZENTRIERTISCHZYLINDER
28	4298822	ANELLO OR 842 D.68,26x3,53	O-RING D.68,26x3,53	JOINT OR D.68,26x3,53	O-RING D.68,26x3,53
29	3008042	CAMICIA CIL. 20" L=345	CYLINDER LINER 20" L=345	CHEMISE VERIN 20" L=345	ZYLINDERMANTEL 20" L=345
30	3007941	VITE SPECIALE TE M8x369	SPECIAL SCREW M8x369	VIS SPECIALE 8x369	SONDERSCHRAUBE M8x369

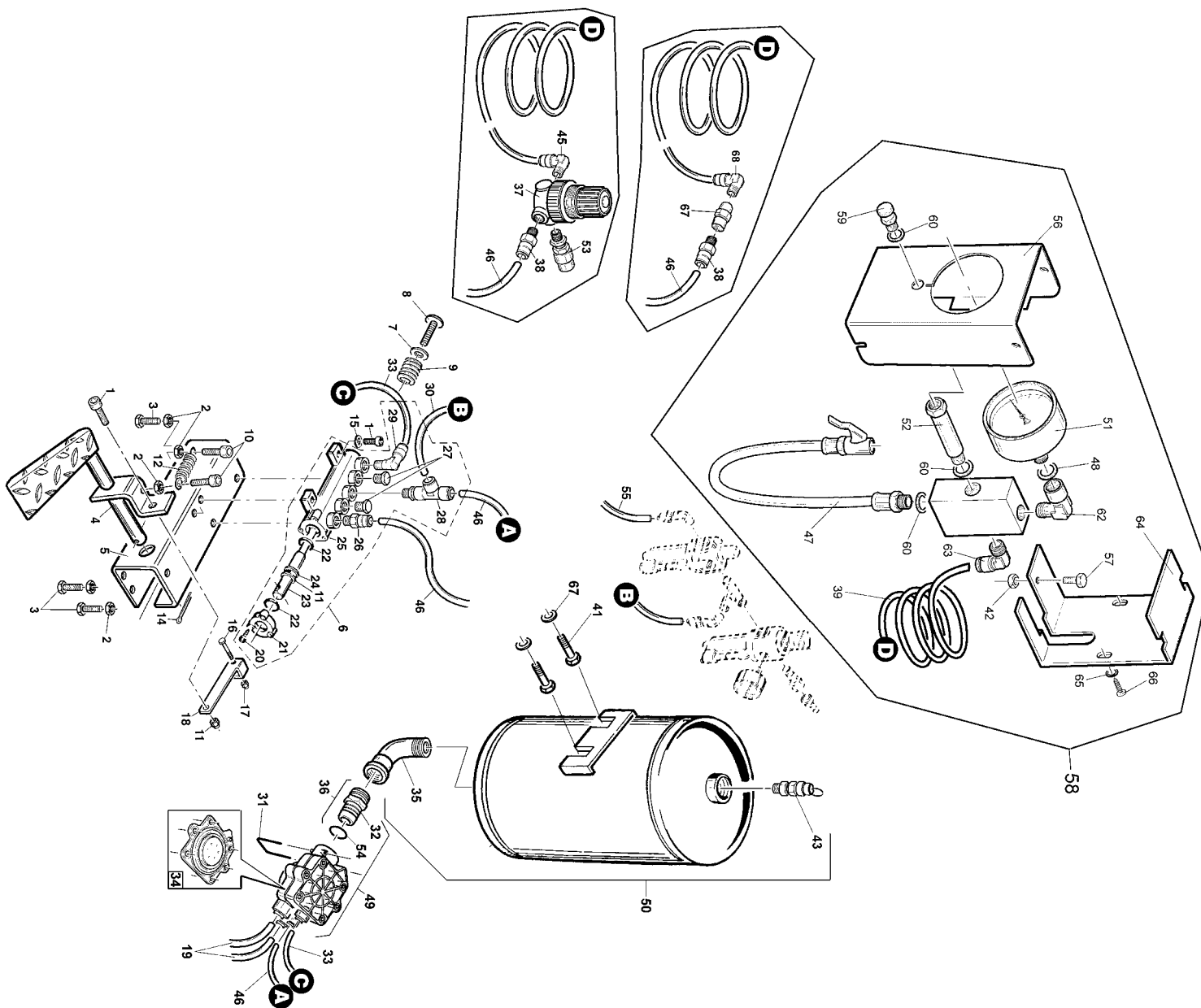
31	4397678	DADO FLANGIATO M8	FLANGED NUT M8	ECROU BORDE" M8	FLANSCHMUTTER M8
32	3015024	FLANGIA ANTER.D.75-PRF	FLANGE	BRIDE	FLANSCH
33	3015023	FLANGIA POSTER.D.75-PRF	FLANGE	BRIDE	FLANSCH
34	3199599	ANELLO SEEGER I D.30 JV	SEEGER RING D.30	BAGUE SEEGER D.30	SEEGER-RING D.30
35	4398146	RASAMENTO 24x30x1	STEEL SHIM 24x30x1	CALE EN ACIER 24x30x1	STAHLZWISCHENLAGE 24x30x1
36	3199601	ANELLO RASCH.BID.L7 NSW 20 30 6/CO	SCRAPER	SEGMENT RACLEUR	KRATZSCHEIBE
37	4198856	PISTONE MONOBLOCCO TDUOP D.75	PISTON D.75	PISTON D.75	KOLBEN D.75
38	4299168	ANELLO OR 3081 D.20,29x2,62	O-RING 20,29x2,62	JOINT OR D.20,29x2,62	O-RING 20,29X2,62
39	3002901	ASTA CILINDRO AUT.20" L=400	CYLINDER ROD 20" L=400	TIGE VERIN 20" L=400	ZYLINDERSTANGE 20" L=400
40	4399865	DADO AUTOBL.M12 BASSO.6S.	SELF-LOCKING NUT M12	ECROU DE VERROUILLAGE M12	SELBSTSICHERNDE MUTTER M12
41	4198954	RACCORDO 6512 1/8"-8 S.R.	QUICK UNION 1/8"	RACCORD RAPIDE 1/8"	SCHNELLANSCHLUSS 1/8"
42	4199929	RACCORDO 1631-01 1/8"	UNION 1/8"	RACCORD 1/8"	ANSCHLUSS 1/8"
43	4198978	RACCORDO 6540 8	UNION	RACCORD	ANSCHLUSS
44	4398753	RONDELLA 12,5x30x3	WASHER D.12,5x30x3	RONDELLE D.12,5x30x3	BEILAGSSCHEIBE D.12,5x30x3
45	3006477	TUBO POLIUR.10X6,5 L=335	POLYURETHAN HOSE 10x6,5 L=335	TUYAU 10x6,5 L=335	SCHLAUCH 10x6,5 L=335
46	4198035	RACCORDO DRITTO 1/4"-10 A.112	UNION 1/4"	RACCORD 1/4"	ANSCHLUSS 1/4"
47	4197207	RACCORDO "T" 1/8"-10/8 A.112	UNION TEE 1/8" 10-8	RACCORD EN T 1/8" 10-8	T-VERSCHRAUBUNG 1/8" 10-8
48	3002109	TUBO RILSAN 14X11 L=1070	RILSAN HOSE 14x11 L=1070	TUYAU RILSAN 14x11 L=1070	SCHLAUCH 14x11 L=1070
49	3001996	VITE X RACC.GIREV.TUBL.	SCREW	VIS	SCHRAUBE
50	4297520	ANELLO OR 153 D.49,21X3,53	O-RING 153 D.49,21x3,53	JOINT OR 153 D.49,21X3,53	O-RING 153 D,49,21X3,53
51	3008646	DISTANZ. X OR GT (D.55 x 1,5)	O-RING SPACER (D.55x1,5)	ENTRETOISE	DISTANZSTUECK
52	3006479	TUBO POLIUR.10X6,5 L=430	POLYURETHAN HOSE 10x6,5 L=430	TUYAU 10x6,5 L=430	SCHLAUCH 10x6,5 L=430
53	3006478	TUBO POLIUR.10X6,5 L=310	POLYURETHAN HOSE 10x6,5 L=310	TUYAU 10x6,5 L=310	SCHLAUCH 10x6,5 L=310
54A	2016089	AUTOC. 2C FIORE 10-20"GT	TURNTABLE 20" GT	PLATEAU CENTREUR 20" GT	ZENTRIERTISCH 20" GT
54B	2016788	AUTOC. 2C FIORE 11-21"GT	TURNTABLE 11-21" GT	PLATEAU CENTREUR 11-21" GT	ZENTRIERTISCH 11-21" GT
54C	2016790	AUTOC. 2C FIORE. 12-22"GT	TURNTABLE 12-22" GT	PLATEAU CENTREUR 12-22" GT	ZENTRIERTISCH 12-22" GT
55	2006393	PROTEZ.INTEGRALE GRIFFA COMPL.	CLAMP COVER	PROTECTION MORS	KLAUENSCHUTZ
56	4395179	VITE TE 16x1,5x45 8.8	SCREW 16x1,5x45 8.8	VIS 16x1,5x45 8.8	SCHRAUBE 16x1,5x45 8.8
57	4395014	RONDELLA 17X30X3 UNI 6592 R80	WASHER D.17X30X3	RONDELLE D.17X30X3	BEILAGSSCHEIBE D.17X30X3
58	3016819	TUBO ELASTOLAN 8X6 L=75	ELASTOLAN HOSE 8X6 L=75	TUYAU ELASTOLAN 8X6 L=75	ELASTOLAN SCHLAUCH 8X6 L=75



Ref	Code	Descrizione	Description	Description	Beschreibung
1	2010900	GR. RIDUTT. SMTG AUTO COMPL.	REDUCTION GEAR UNIT	GROUPE REDUCTEUR	REDUKTORAGGREGAT
2	3010872	SCATOLA SUPER. RIDUTT.	REDUCTION GEAR BOX	BOITE REDUCTEUR	REDUKTORKASTEN
3	4296945	CUSCINETTO 6212 2RS 60x110x22	BEARING 60X110X22	COUSSINET 60X110X22	LAGER 60X110X22
4	3010883	VITE SENZA FINE RID.SMTG AUTO	WORM	VIS SANS FIN	SCHNECKE
5	4296944	CUSCINETTO RULLI CONICI 30204	BEARING	COUSSINET	LAGER
6	3010886	COPERCHIETTO TENUTA 35-8	SEALING CAP	BOUTON D'ETANCHEITE'	DICHTUNGSKAPPE
7	4296943	ANELLO OR 140 D.34,52x3,53	O-RING D.34,52X3,53	JOINT TORIQUE D.34,52X3,53	O-RING D.34,52X3,53
8	4396947	LINGUETTA 6x6x18 (A) 6604	TAB 6X6X18	PLAQUE 6X6X18	PLÄTTCHEN 6X6X18
9	4296942	ANELLO TENUTA 20x35x10	O-RING 20X35X10	JOINT TORIQUE 20X35X10	O-RING 20X35X10
10	4398807	RONDELLA 14 (15x28x2,5)ZNT6592	WASHER 14 (15x28x2,5)	RONDELLE 14 (15x28x2,5)	SCHEIBE 14 (15x28x2,5)
11	4396941	DADO M14 6S BASSO ZNT 5589	NUT M14	ECROU M14	MUTTER M14
12	3010863	PULEGGIA RIDUTT. SMTG AUTO	GEARBOX PULLEY	POULIE REDUCTEUR	REDUKTORSCHIEBE
13	4399134	VITE TCEI M 8x30 8.8 5931	SCREW TCEI 8x30 8.8	VIS M8x30 8.8	SCHRAUBE TCEI M 8X 30 8.8
14	4399900	DADO AUTOBL.M 8 BASSO 6.S 7474	SELF-LOCKING NUT M8	ECROU A' BLOCAGE AUTOMAT. M8	SELBSTSPERRENDE MUTTER M8
15	4396940	SPINA CIL.RETT. 8x20 6364A	PIN 8X20	AXE 8X20	STIFT 8X20
16	3010884	RUOTA ELICOIDALE RID.-FINITA	HELICAL GEAR	ROUE HELICOIDALE	SCHNECKENRAD
17	4396946	ANELLO SEEGER E D.60x3 7436	SEEGER RING D.60X3	JOINT SEEGER D.60X3	SEEGER RING D.60X3
18	3010885	PERNO PER RUOTA ELICOID.	HELICAL GEAR STUD	AXE POUR ROUE HELICOIDALE	SCHNECKENRADBOLZEN
19	4396948	LINGUETTA 16x10x70 (A) 6604	TAB 16X10X70	PLAQUE 16X10X70	PLÄTTCHEN 16X10X70
20	4296910	CUSCINETTO 6212 60x110x22	BEARING 60X110X22	COUSSINET 60X110X22	LAGER 60X110X22
21	3010873	SCATOLA INFERIORE RIDUTTORE	REDUCTION GEAR BOX	BOITE REDUCTEUR	REDUKTORKASTEN
22	3010864	PULEGGIA MOTORE SMTG AUTO	MOTOR PULLEY	POULIE MOTEUR	MOTORSCHIEBE
23	4399922	VITE STEI 8x14 P.CIL. 5925	SCREW 8x14	VIS 8x14	SCHRAUBE 8x14
24	4296813	CINGHIA PV 610 J6	FLAT BELT	COURROIE	RIEMEN

25	3011384	ANGOLARE TENDICINGHIA-ZNT B.	TENSION ANGLE BAR	TENDEUR DE COURROIE EN L	RIEMENSPANNWINKELEISEN
26	4399946	VITE TE 8x16 8.8 5739	SCREW M8x16 8.8	VIS M8x16 8.8	SCHRAUBE M8x16 8.8
27	4399829	RONDELLA 8 (8,4x16x1,5)ZNT6592	WASHER 8 (8,4x16x1,5)	RONDELLE 8 (8,4X16X1,5)	SCHEIBE 8 (8,4x16x1,5)
28	4399976	DADO M 8 6S ZNT 5588	NUT M8	ECROU M8	MUTTER M8
29	4399824	VITE TE 10x14 8.8 5739	SCREW M10x14 8.8	VIS M10x14 8.8	SCHRAUBE M10x14 8.8
30	3011383	SUPP. MOTORE NUOVO RID.-ZNT B.	MOTOR SUPPORT	SUPPORT DE MOTEUR	MOTORLAGER
31	4399228	VITE TE 10x25	SCREW 10x25	VIS 10x25	SCHRAUBE 10x25
32	4399935	VITE TE 8x25 8.8 5739	SCREW TE M8X25 8.8	VIS TE M8x25 8.8	SCHRAUBE TE M8x25 8.8
33	3000149	SUPP. MOTORE NUOVO RID.-ZNT B.	MOTOR SUPPORT	SUPPORT DE MOTEUR	MOTORLAGER
34	4399951	VITE TE 10x35 8.8	SCREW M10x35 - 8.8	VIS 10x35 8.8	SCHRAUBE M10x35 8.8
35	4399967	DADO M 10 BASSO	LOW-NUT M10	ECROU M10	MUTTER M10
36	3000164	PUNTALE PER TENDICINGHIA	BELT-STRETCHER SHOE	POINTEAU DE TENDEUR COURROIE	STUTZE f. RIEMENSPANNER
37	4599914	MOTORE 1PH - HP1,2 230V.50/60HZ	1PH MOTOR 1,2HP 230V 50/60HZ	MOTEUR 1PH 1,2HP 230V 50/60HZ	1PH MOTOR 1,2HP 230V 50/60HZ
37 A	4599924	MOTORE 3PH - 230/4000V. 50 HZ	3 PHASE MOTOR 230/400 V. 50 HZ	MOTEUR 230/400 V 3 PH-50 HZ	DREIPHASENMOTOR 230/400V 50HZ
37 B	4598919	MOTORE 2VELOCITA.400V.HP 1-1,5 B3	TWO SPEED MOTOR	MOTEUR 2V. 400V HP 1/1,5	MOTOR 400V. HP.1/1,5 - B.3
37 C	4598499	MOTORE 1PH 115V. HP1,2 50/60Hz	115V 1PH MOTOR	MOTEUR 115V 1PH	MOTOR 115V. 1PH.
38	4396700	ANELLO SEEGER E D.50x2 7436	SEEGER RING D.50x2	JOINT SEEGER D.50x2	SEEGER RING D.50x2
39	4399964	VITE TE M 6x10	SCREW TE M6 x 10	VIS TE M6 x 10	SCHRAUBE TE M6x10 8.8
40	3001996	VITE PER RACCORDO GIREVOLE GT	SCREW FOR ROTATING UNION GT	VIS pour RACCORD PIVOTANT GT	SCHRAUBE f. DREHANSCHLUSS GT
41	4399933	VITE TE M10x50 8.8	SCREW TE M10x50	VIS TE M10x50	SCHRAUBE TE M10x50
42	4398662	ROND.GROWER D.10 ZNT	GROWER WASHER D.10	RONDELLE GROWER D.10	BEILAGSSCHEIBE GROWER D.10
43	3011263	PULEGGIA MOTORE 1PH-60HZ	1PH-60HZ MOTOR PULLEY	POULIE MOTEUR 1PH-60HZ	MOTORSCHIEBE 1PH-60HZ

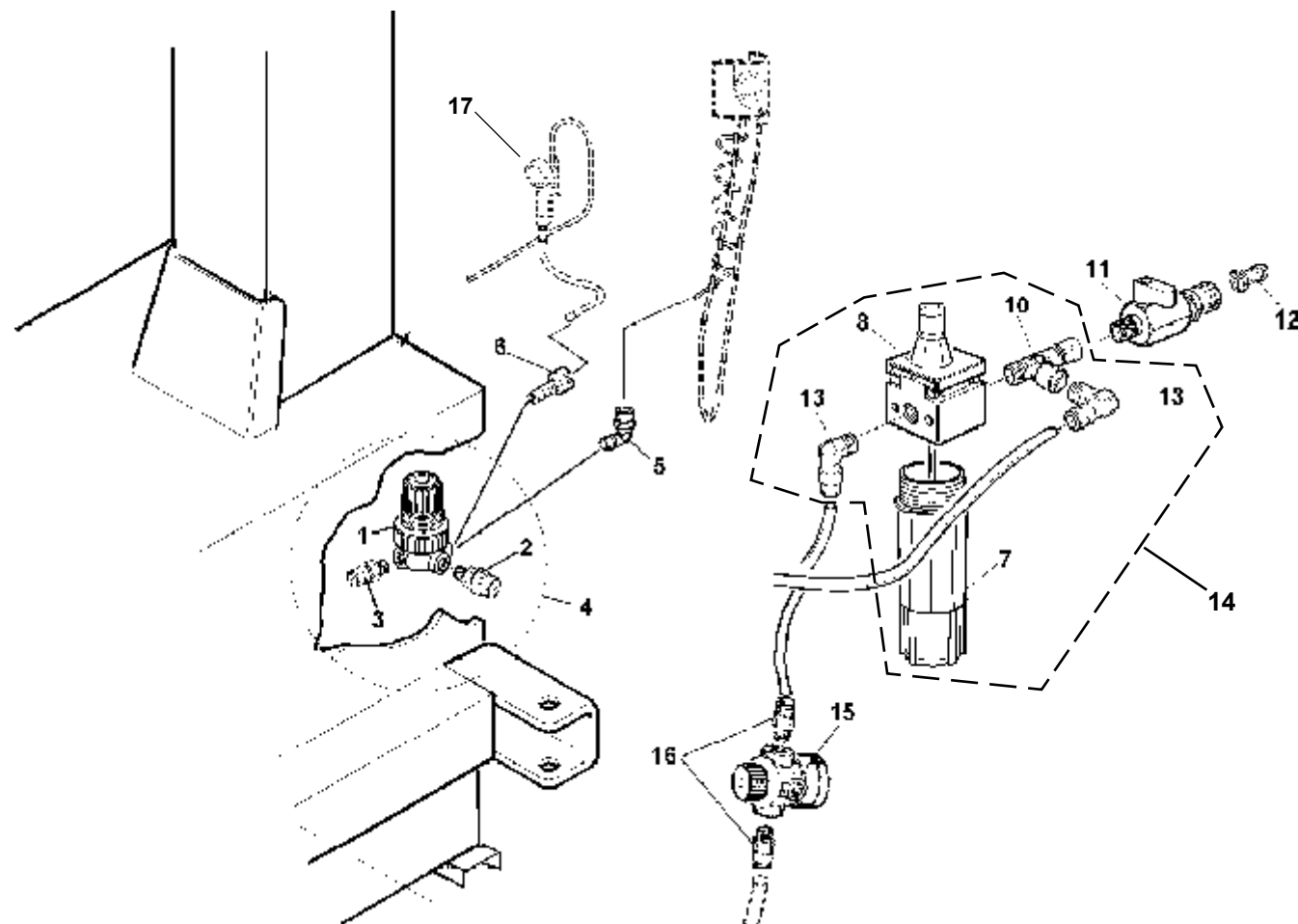
DISPOSITIVO DI GONFIAGGIO GT - GT INFLATING DEVICE
DISPOSITIF DE GONFLAGE GT - GT-AUFPUMPVORRICHTUNG



1	4399890	VITE TCEI M 6x20 8.8 5931	SCREW M6x20 - 8.8	VIS M6x20 - 8.8	SCHRAUBE M6x20 -8.8
2	4399889	DADO M 6 6S ZNT 5588	NUT M6	ECROU M6	MUTTER M6
3	4399892	VITE TE 6x20 8.8 5739	SCREW M6x20 - 8.8	VIS M6x20 - 8.8	SCHRAUBE M6x20 - 8.8
4	2110288	PEDALINO GT -ZINC. B.	GT PEDAL	PEDALE GT	GT-PEDAL
5	3010287	SUPPORTO PEDAL. GT	GT PEDAL SUPPORT	SUPPORT DE PEDALE GT	GT-PEDALSTUETZ
6	2009718	GR.VALVOLA GT COATS 9010	VALVE UNIT	GR.SOUPAPE GT	VENTIL
7	4398848	RONDELLA 6 (6,6x18x1,5)	WASHER 6 (6,6x18x1,5)	RONDELLE 6 (6,6x18x1,5)	BEILAGSSCHEIBE 6 (6,6x18x1,5)
8	4399229	VITE TE 6x10 8.8	SCREW 6x10	VIS 6x10	SCHRAUBE 6X10
9	4298942	MOLLA GIALLA SL D.20x26	SPRING D.20x26	RESSORT D.20x26	FEDER D.20x26
10	4399999	VITE TCEI M 6x25 8.8 5931	SCREW M6x25 - 8.8	VIS M6x25 - 8.8	SCHRAUBE M6x25 - 8.8
11	4398634	ANELLO SEEGER E D.10	SEEGER RING D.10	BAGUE SEEGER D.10	SEEGER RING D.10
12	3000141	MOLLA RITORNO PEDALI	SPRING	RESSORT DE RAPPEL PEDALES	RUECKZUGFEDER
14	4399100	COPIGLIA D.3,2X30 1336	SPLIT PIN D.3,2x30	GOUPILLE D.3,2x300	SPLINT D.3,2X30
15	4399998	RONDELLA 6 (6,4x12x1,6)ZNT6592	WASHER 6 (6,4x12x1,6)	RONDELLE 6 (6,4x12x1,6)	SCHEIBE 6 (6,4x12x1,6)
16	4399897	VITE TE 4x25 8.8 P.F. 5737	SCREW M4x25 - 8.8	VIS M4x25 - 8.8	SCHRAUBE M4x25 - 8.8
17	4399895	DADO AUTOBL.M 4 BASSO.6S. 7474	SELF-LOCKING NUT M4	ECROU A' BLOCAGE AUTOMAT. M4	SELBSTSICHERNDE MUTTER M4
18	3001853	LEVETTA COMANDO VALVOLA -ZNT	VALVE CONTROL LEVER	LEVIER COMMANDE SOUPAPE	VENTILKONTROLLHEBEL
19	3002109	TUBO RILSAN 14X11 L=1070	RILSAN HOSE D.14x11 L=1070	TUYAU RILSAN 14x12 L=1070	SCHLAUCH D.14x11 L=1070
20	4398999	VITE AUTOF. TCIC 3,5x13 6954	SELF-TAPPING SCREW 3,5x13	VIS AUTOTARADEUSE 3,5x13	BLECHSCHRAUBE 3,5x13
21	3001585	FLANGIA X VALVOLA 3001583	FLANGE for VALVE 3001583	BRIDE POUR SOUPAPE 3001583	FLANSCH
22	4299000	ANELLO OR 9,8x3,85	O-RING 9,8x3,85	JOINT OR 9,8x3,85	O-RING 9,8x3,85
23	3001849	ASTA X VALVOLA PNEU. GT TN	GT PNEUMATIC VALVE SHAFT	TIGE POUR SOUPAPE	VENTILSTANGE
24	3001584	DISTANZIALE X VALVOLA 3001583	SPACER FOR VALVE 3001583	ENTRETOISE	ABSTANDSSTUECK
25	3001583	VALVOLA DISTRIB.-SENZA CHIAVET	DISTRIBUTION VALVE	SOUPAPE DISTRIBUTION	VENTIL
26	4198954	RACCORDO 6510 1/8"-8 S.RAPIDO	QUICK UNION 6510 1/8"-8	RACCORD RAPIDE 6510 1/8"-8	SCHNELLANSCHLUSS 6510 1/8"-8
27	4199161	TAPPO MASCHIO 2611 1/8"	PLUG	BOUCHON 1/8"	VERSCHRAUBUNG 1/8"
28	4199888	RACCORDO "T" 1/8"-8/6 A.112	T-UNION	RACCORD PST08-01 1/8-8	T-VERSCHRAUBUNG 1/8"
29	4199098	RACCORDO 6500 1/8" 6-4 S.RAPID	UNION 6500 1/8" 6-4	RACCORD 1/8" 6-4	ANSCHLUSS 6500 1/8" 6-4

30	3001382	TUBO RILSAN D. 8X6 L=850	RILSAN HOSE D.8x6 L=850	TUYAU RILSAN D.8x6 L=850	SCHLAUCH D.8x6 L=850
31	3017494	FORCELLA "U"	U-FORK	FOURCHE EN "U"	U-GABEL
32	3017573	RACCORDO INNESTO RAPIDO 1"-BRUN.	QUICK UNION	RACCORD RAPIDE	SCHNELLKUPPLUNG
33	3002110	TUBO RILSAN 6X4 L=580	RILSAN HOSE D.6x4 L=580	TUYAU RILSAN D.6x4 L=580	SCHLAUCH 6x4 L=580
34	2017495	MEMBRANA VALVOLA SOFFIAGGIO	VALVE DIAPHRAGM	MEMBRANE CLAPET	VENTILDIAPHRAGMA
35	4198852	RACCORDO 3 PZ.(125)1" F/M 90'	UNION 3 PCS.(125) 1" F/M 90'	RACCORD 3 PCS.(125) 1" F/M	ANSCHLUSS 1" F/M 90'
36	2017906	GR.RACC. INNESTO RAP. + OR	QUICK UNION	RACCORD RAPIDE	SCHNELLKUPPLUNG
37	4198173	REGOLATORE 1/4" 0-3,5 BAR	REGULATOR 1/4" 0-3,5 BAR	REGULATEUR 1/4" 0-3,5 BAR	DRUCKREGLER 1/4" 0-3,5 BAR
37/A	4197996	REGOLATORE 1/4" 510kPa (=5BAR)	REGULATOR 1/4" 510 kPa (5BAR)	REGULATEUR 1/4" 510 kPa(5BAR)	REGLER 1/4" 510 kPa (5BAR)
38	4198884	RACCORDO 6510 1/4"-8 S.RAPIDO	UNION 6510 1/4"	RACCORD 6510 1/4"	ANSCHLUSS 6510 1/4"-8
39	3000635	SPIRALE RILSAN 8X6 L=2300	RILSAN HOSE D.8x6 L=2300	SPIRALE RILSAN D.8x6 L=2300	SPIRALSCHLAUCH 8x6 L=2300
40	4398945	VITE AUTOPERFORANTE TCB 4x12,6	SCREW 4x12,6	VIS 4x12,6	SCHRAUBE 4x12,6
41	4398723	VITE TE 6x12 8.8 5739	VIS 6x12	SCREW 6x12	SCHRAUBE 6x12
42	4399976	DADO M 8 6S ZNT 5588	NUT M8	ECROU M8	MUTTER M8
43	4198703	VALV.SIC.1/4"0/11 INAMOV.+ANELLO	SAFETY VALVE 1/4"	CLAPET DE SECURITE" 1/4"	SICHERHEITSVENTIL 1/4"
44	4198908	RACCORDO 2020 1/4" F/M	UNION 2020 1/4" F/M	RACCORD 2020 1/4" F/M	ANSCHLUSS 2020 1/4" F/M
45	4198578	RACCORDO 6520 1/4"-8/6 GIREV.	ROTATING UNION 1/4"-8/6	RACCORD 6520 1/4"8/6	VERSCHRAUBUNG 6520 1/4"-8/6
46	3010798	TUBO RILSAN D. 8x6 L=440	RILSAN HOSE D. 8x6 L=440	TUYAU RILSAN D.8x6 L=440	RILSAN SCHLAUCH D.8x6 L=440
47	2008872	GR.TUBO CENTR. GT EIWA L=1400	GT CONTROL UNIT HOSE L=1400	GR. TUYAU COM. GT L.1000	SCHLAUCH L=1400
48	4299000	ANELLO OR 9,8X3,85	O-RING 9,8x3,85	JOINT OR 9,8x3,85	O-RING 9,8x3,85
49	2017491	GR.VALVOLA PNEUM. 1" COMPL.	PNEUM. VALVE UNIT 1"	GR. CLAPET PNEUM. 1"	DRUCKLUFTVENTIL 1"
50	2012485	GR.SERBATOIO ARIA	18LT TANK	RESERVOIR LT.18	BEHAELTER LT.18
51	4299069	MANOMETRO CEE D. 80	PRESSURE GAUGE CEE D.80	MANOMETRE CEE D.80	MANOMETER CEE D.80
51/A	4198070	MANOMET.D.80 600KPA-6BAR-85PSI	PRESSURE GAUGE 600KPA-6BAR	MANOMETRE 600KPA-6BAR-85PSI	MANOMETER 600KPA-6BAR-85PSI
51/B	3015120	MANOMETRO D.80 1200KPA-170PSI	PRESSURE GAUGE D.80 1200KPA	MANOMETRE D.80 1200KPA	MANOMETER D.80 1200KPA
52	4198670	COLONNETTA 1/4" H=43	STUD BOLT 1/4" H=43	COLONNETTE 1/4" H=43	BUNDSCHRAUBE 1/4" H=43
53	4198435	VALV.SIC.1/8"0/4 BAR+RIV.+CAP.	SAFETY VALVE 1/8" 0/4 BAR	SOUPAPE SECURITE' 1/8" 0/4 BAR	SICHERHEITSVENTIL 1/8" 0/4BAR
53/A	4198702	VALV.SIC.1/4" 0/5 BAR+RIV+CAPP.	SAFETY VALVE 1/4" 0/5 BAR	SOUPAPE DE SECURITE" 1/4" 0/5 BAR	SICHERHEITSVENTIL 1/4" 0/5 BAR
54	4294755	ANELLO OR 2100 D.25,12x1,78	O-RING 2100 D.25,12x1,78	JOINT TORIQUE 2100 D.25,12x1,78	O-RING 2100 D.25,12x1,78
55	3000144	TUBO RILSAN D. 8X6 L=910	RILSAN HOSE D.8x6 L=910	TUYAU RILSAN D.8x6 L=910	SCHLAUCH D.8x6 L=910

56	6615108	LAMIERA ANTERIORE GT	GT FRONT SHEET	TOLE GT AVANT	GT VORDERBLECH
57	4399946	VITE TE 8x16 8.8 5739	SCREW M8x16 8.8	VIS M8x16 8.8	SCHRAUBE M8x16 8.8
58	2014217	CENTR.PNEU. GT CE	GT PNEUM. CONTROL UNIT	UNITE' DE CONTROL PNEUM. GT	DRUCKLUFTEINHEIT GT
58/A	2014218	CENTRALINA PNEUM.GT 600 KPA/PSI/BAR	GT PNEUMATIC UNIT 600 KPA	UNITE PNEUMATIQUE GT 600 KPA	GT DRUCKLUFTEINHEIT 600 KPA
58/B	2014797	CENTRAL.PN.GT 1200 KPA/PSI/BAR-REV	GT PNEUMATIC UNIT 1200 KPA	UNITE PNEUMATIQUE GT 1200 KPA	GT DRUCKLUFTEINHEIT 1200 KPA
59	4299354	PULSANTE DI SCARICO	RELIEF PUSHBUTTON	BOUTON-POUSSOIR DE DECHARGE	ABLASSKNOPF
60	4399256	ROND. RAME 1/4" (13x19x1,5)	WASHER 1/4" D.13x19x1,5	RONDELLE 1/4" D.13x19x1,5	KUPFERSCHEIBE 1/4" D.13x19x1,5
61	3015111	RIPARTITORE 4 VIE F1/4"	DISTRIBUTION FRAME	REPARTITEUR	VERTEILER
62	4198908	RACCORDO 2020 1/4" F/M	UNION 1/4"	RACCORD 1/4"	ANSCHLUSS 1/4"
63	4198883	RACCORDO S6500 1/4"-8 S.RAPIDO	QUICK UNION 1/4"	RACCORD RAPIDE 1/4"	RACCORD RAPIDE 1/4"
64	6615109	LAMIERA POSTERIORE GT	GT BACK SHEET	TOLE GT ARRIERE	GT HINTERBLECH
65	4399903	RONDELLA 4	WASHER 4	RONDELLE 4	BEILAGSSCHEIBE 4
66	4398945	VITE AUTOPERFORANTE TCB 4x12,6	SELF-TAPPING SCREW 4x12,6	VIS AUTOTARADEUSE 4x12,6	BLECHSCHRAUBE 4x12,6



1	4198173	REGOLATORE 1/4" 0-3,5 BAR	REGULATEUR 1/4" 0-3,5 BAR	REGULATOR 1/4" 0-3,5 BAR	DRUCKREGLER 1/4" 0-3,5 BAR
2	4198435	VALV.SIC.1/8"0/4 BAR+RIV.+CAP.	SOUPAPE SECURITE' 1/8" 0/4 BAR	SAFETY VALVE 1/8" 0/4 BAR	SICHERHEITSVENTIL 1/8" 0/4BAR
3	4198884	RACCORDO 6510 1/4"-8 S.RAPIDO	RACCORD 6510 1/4"	UNION 6510 1/4"	ANSCHLUSS 6510 1/4"-8
4	2010781	GR.REGOLAT.4 BAR USC. GT CE	GRUPPE REGULATEUR PRESS. 4BAR	4 BAR PRESSURE REGULATOR UNIT	4 BAR-DRUCKREGLERGRUPPE
5	4198578	RACCORDO 6520 1/4"-8/6 GIREV.	RACCORD 6520 1/4"8/6	ROTATING UNION 1/4"-8/6	VERSCHRAUBUNG 6520 1/4"-8/6
6	4199797	RACCORDO 9A/M 1/4"	RACCORD 9A/M 1/4"	UNION 9A/M 1/4"	ANSCHLUSS 9A/M 1/4"
7	4196316	TAZZA LUBRIFICATORE	CUVE DU LUBRIFICATEUR	LUBRICATOR CUP	SCHMIERBECHER
8	4196315	CORPO LUBRIFICATORE	CORPS LUBRIFICATEUR	LUBRICATOR	SCHMIERER
9	4196481	LUBRIFIC.1/4" GRIGIO	GRAISSEUR 1/4"	LUBRICATOR 1/4"	SCHMIERER 1/4"
10	4198818	RACCORDO 2070 1/4" MFF	RACCORD 2070 1/4"	UNION	ANSCHLUSS 2070 1/4"
11	4198143	VALVOLA 400 1/4" F-F	SOUPAPE 400 1/4" F-F	VALVE 400 1/4" F-F	VENTIL 400 1/4" F-F
12	4199987	ATTACCO RESCA 2P 1/4 8	ATTELAGE	UNION 1/4	VERBINDUNG
13	4198883	RACCORDO 6500 1/4"-8 S.RAPIDO	RACCORD 6500 1/4"-8 RAPIDE	QUICK UNION 6500 1/4"-8	ANSCHLUSS 6500 1/4" - 8
14	2012326	GR.LUBRIF. NEW CE FINO A S.222	GRUPPE HUILEUR	LUBRICATOR UNIT	SCHMIERGRUPPE
15	4198951	REGOLATORE 1/4" 0,5-10 BAR	REGULATEUR 1/4" 0,5-10 BAR	REGULATOR	REGLER 1/4" 0,5 - 12 BAR
16	4198884	RACCORDO 6510 1/4"-8 S.RAPIDO	RACCORD 6510 1/4"	UNION 6510 1/4"	ANSCHLUSS 6510 1/4"-8
17	9298185	PISTOLETTA ASTURO "CE"	PISTOLET ASTURO "CE"	ASTURO INFLATING GAUGE "CE"	ASTURO DRUCKLUFTPISTOLE "CE"
17A	9299684	PISTOLETTA METAL "NON CE"	PISTOLET METAL	METAL PISTOLET	METAL DRUCKLUFTPISTOLE



GIULIANO INDUSTRIAL S.p.A.
Via Guerrieri, 6 - 42015 CORREGGIO - ITALY
Tel. +39. 522. 73.11.11 - Fax. +39. 522. 63.31.09
E-mail: info@giuliano-automotive.com
<http://www.giuliano-automotive.com>