

**S 45**

**MANUALE PER IL PERSONALE TECNICO  
TECHNICAL MANUAL**

**Comprende:**

- Esploso con elenco ricambi
- Schema elettrico
- Schema pneumatico

***Includes:***

- *Exploded view with spare parts list*
- *Wire diagram*
- *Pneumatic diagram*



**SICE**  
AUTOMOTIVE EQUIPMENT

*Ed. 06/2008*

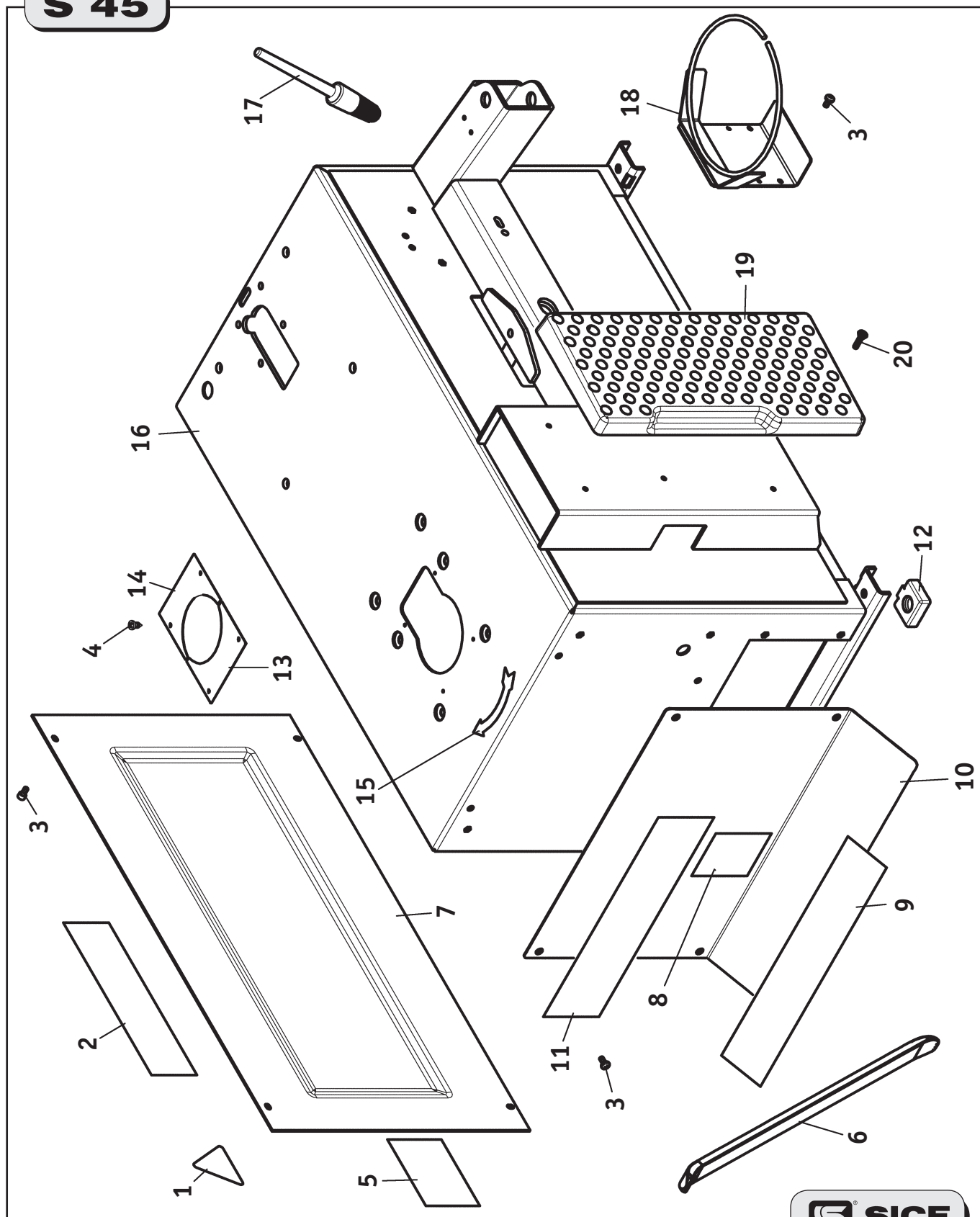
## PARTI DI RICAMBIO

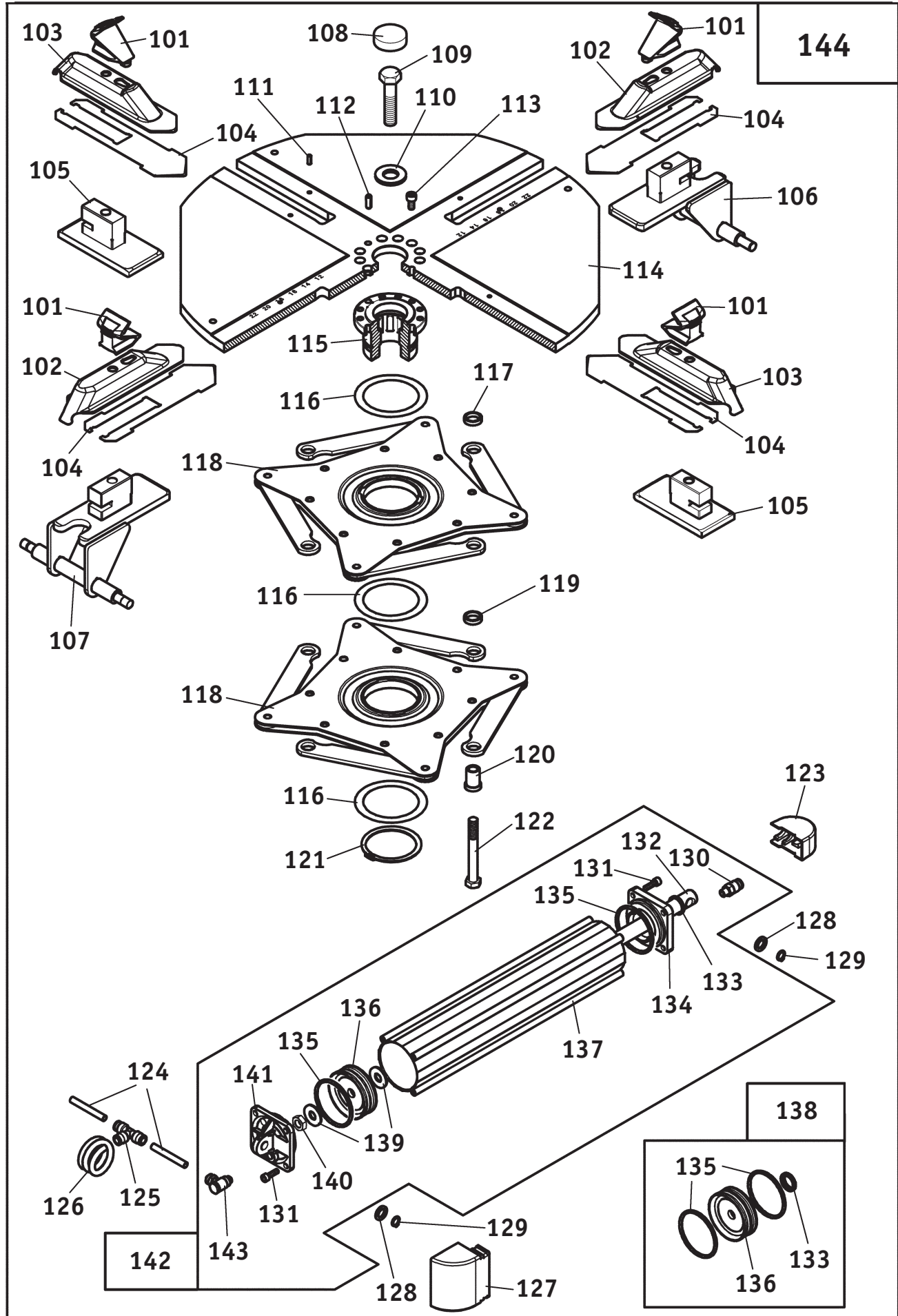
Per ordinazioni specificare **sempre** il numero di matricola rilevabile sull'apposita targhetta posta sul dispositivo. Indicare **sempre** il numero di riferimento e il numero di codice del particolare.

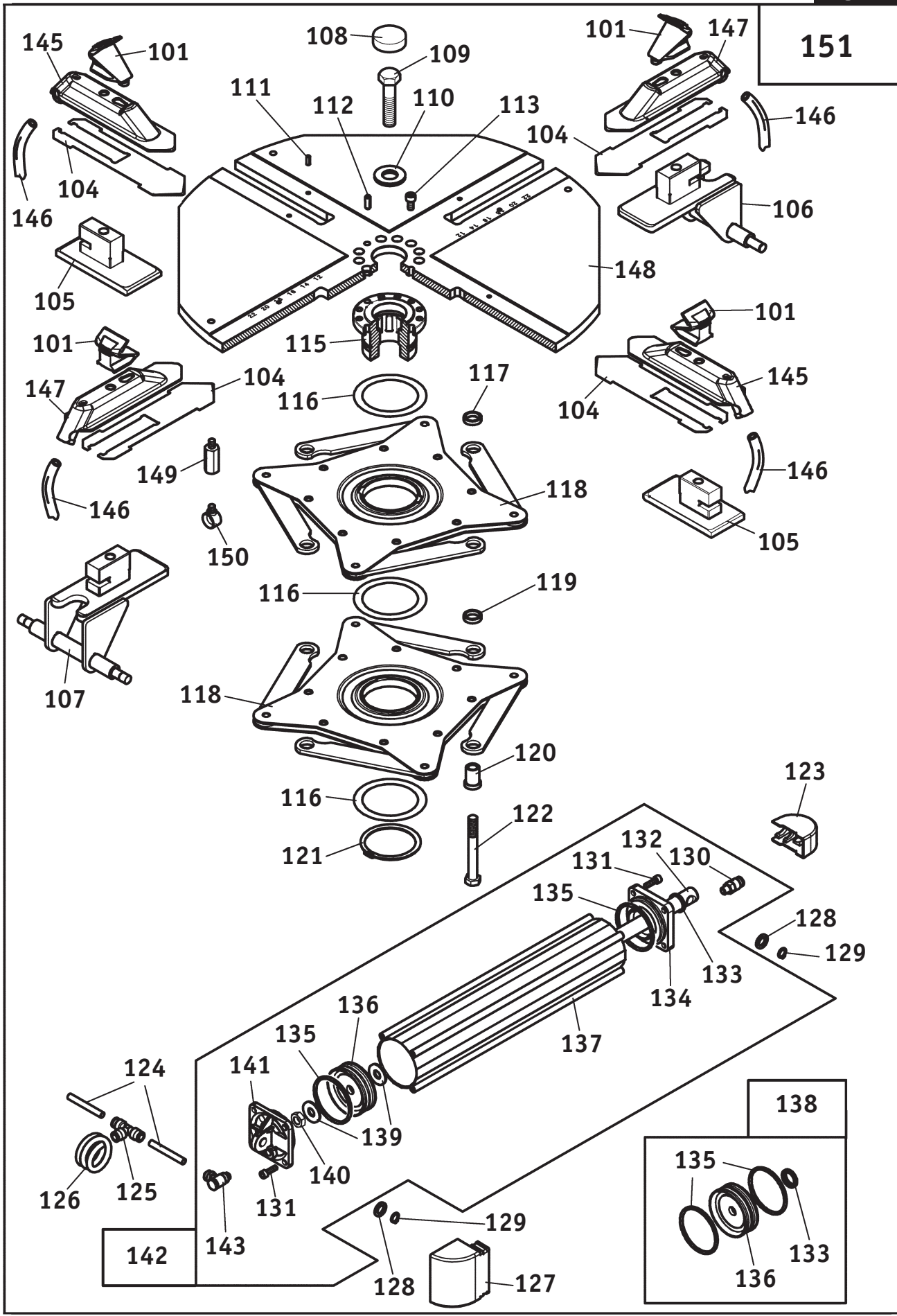
## SPARE PARTS

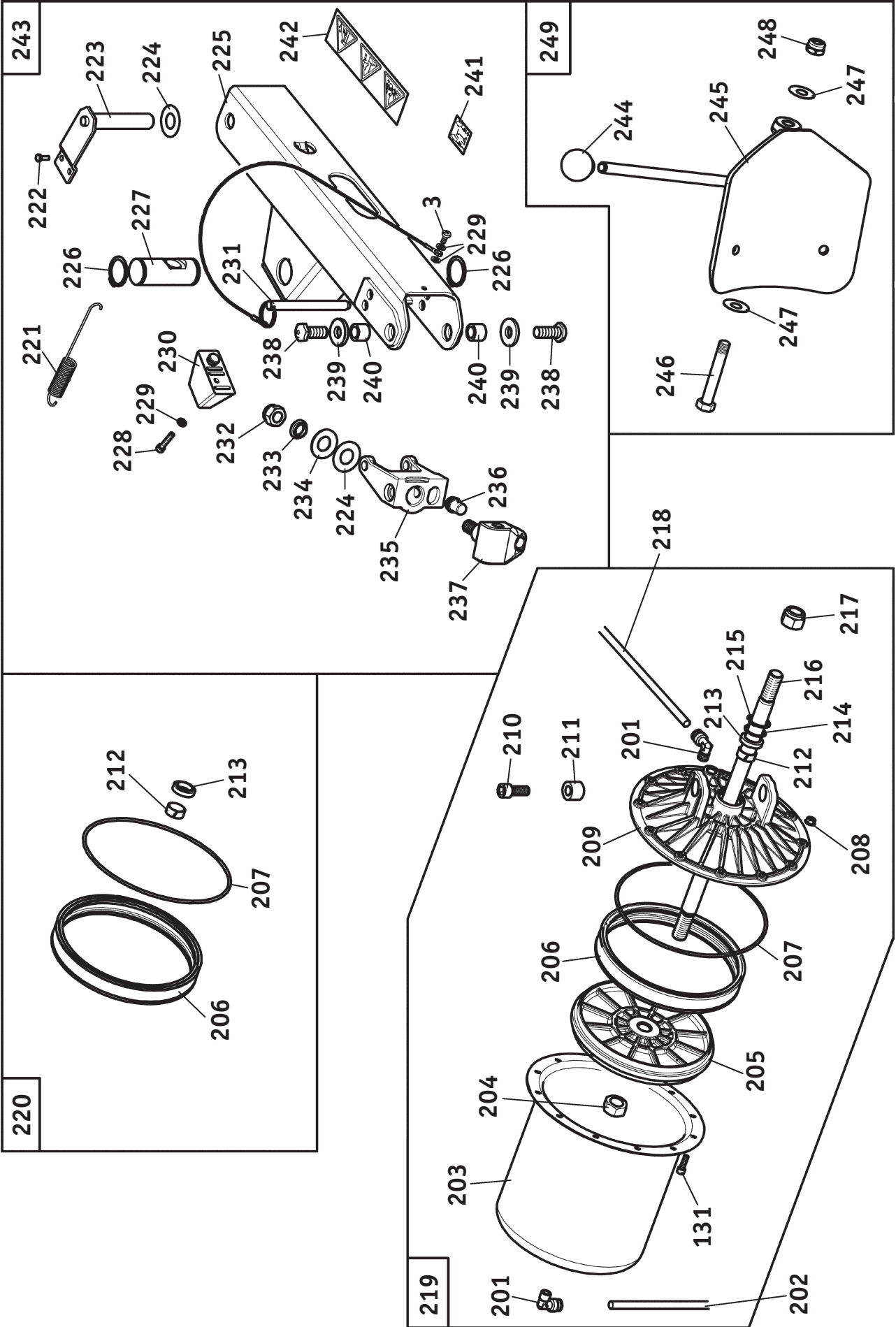
When ordering **always** specify the **serial number** shown on the data label placed on the device. Please also **always** specify the **reference** and the **code** number of the spares you require.

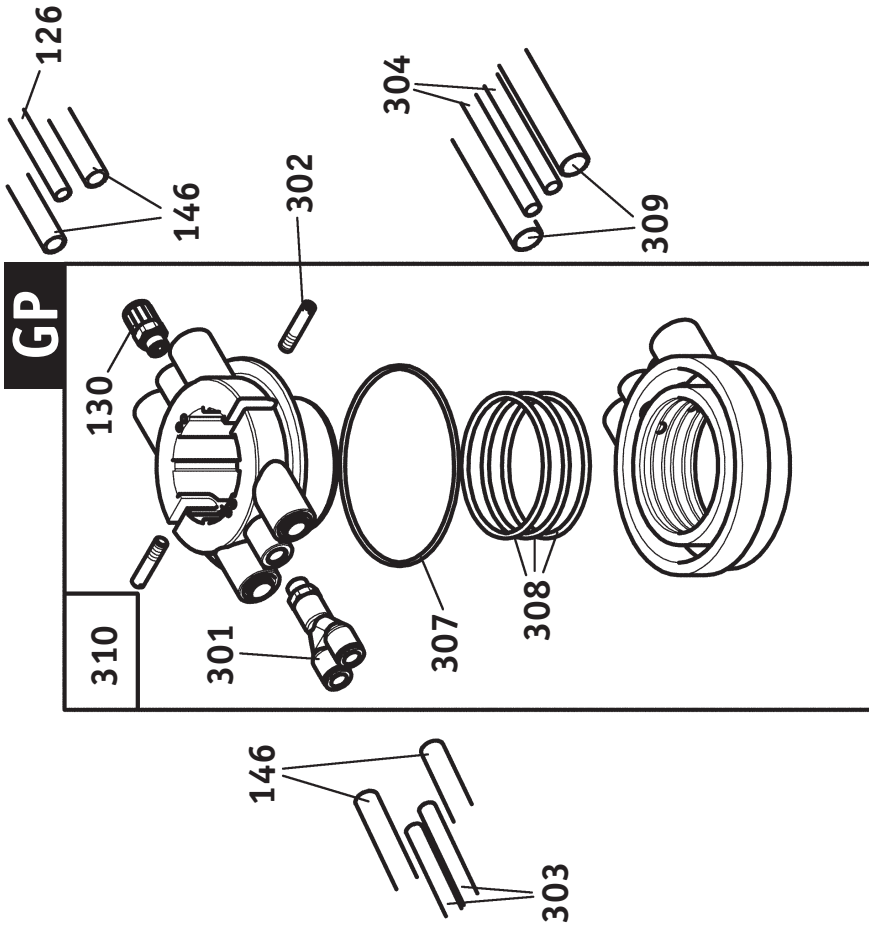
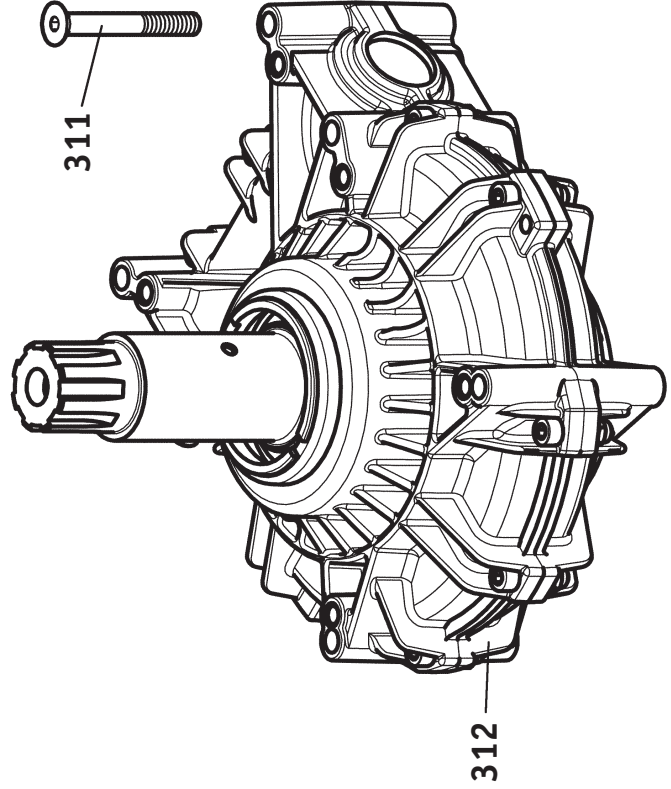
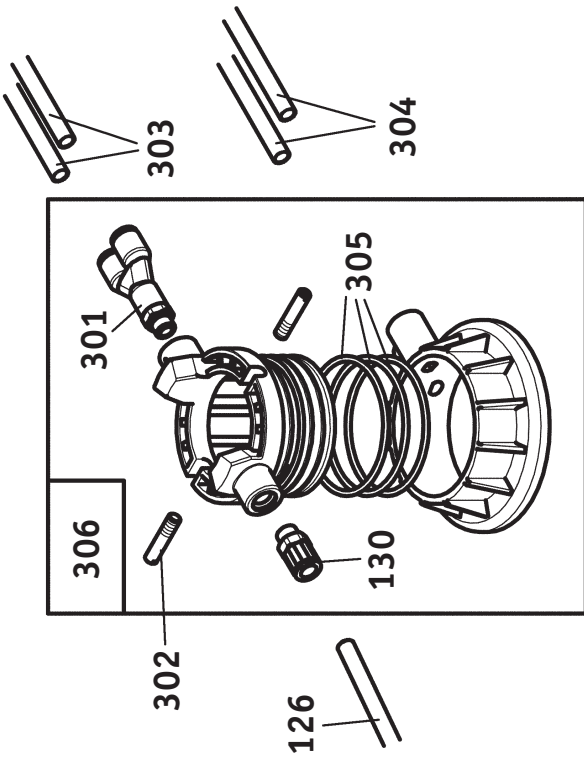
**S 45**



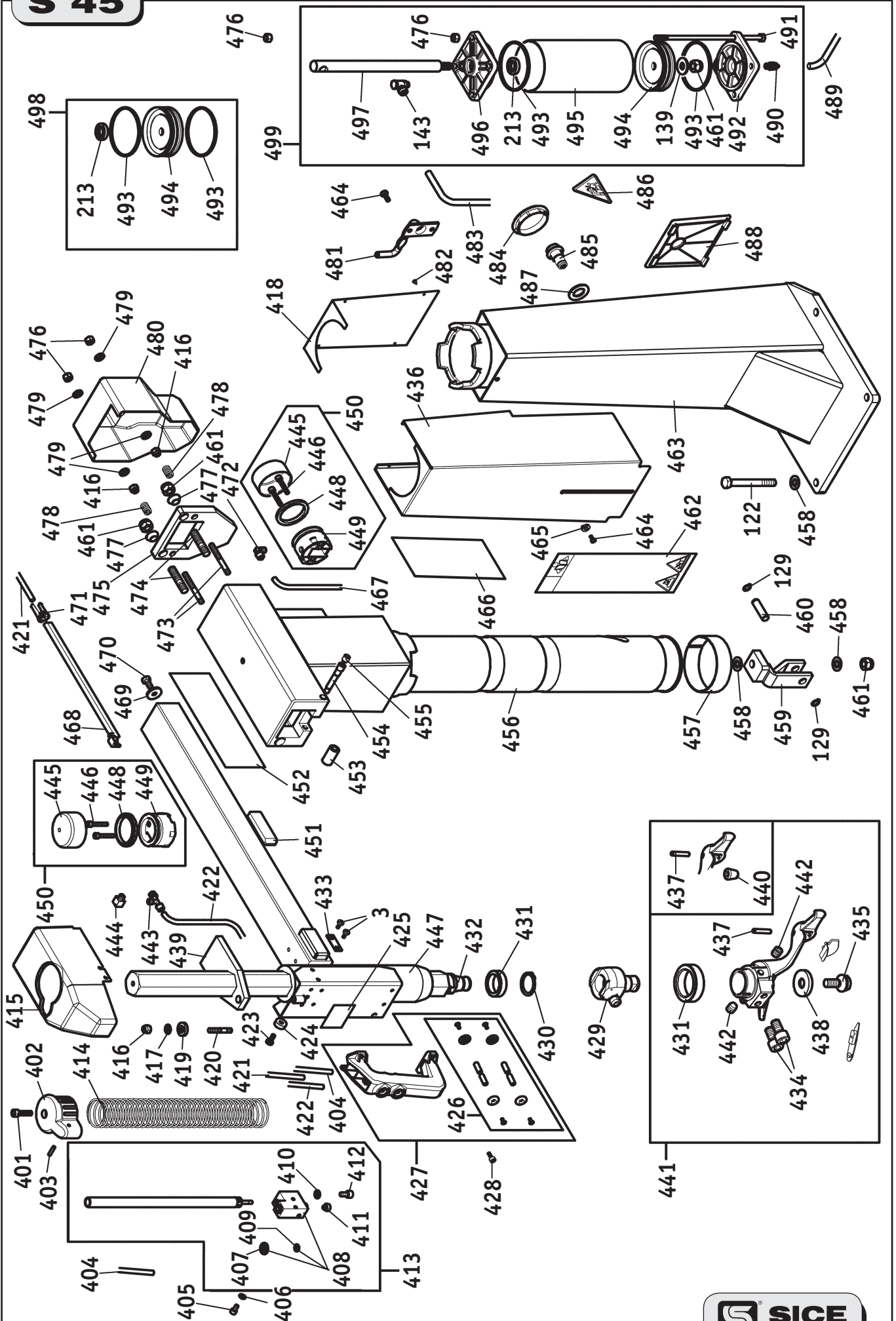




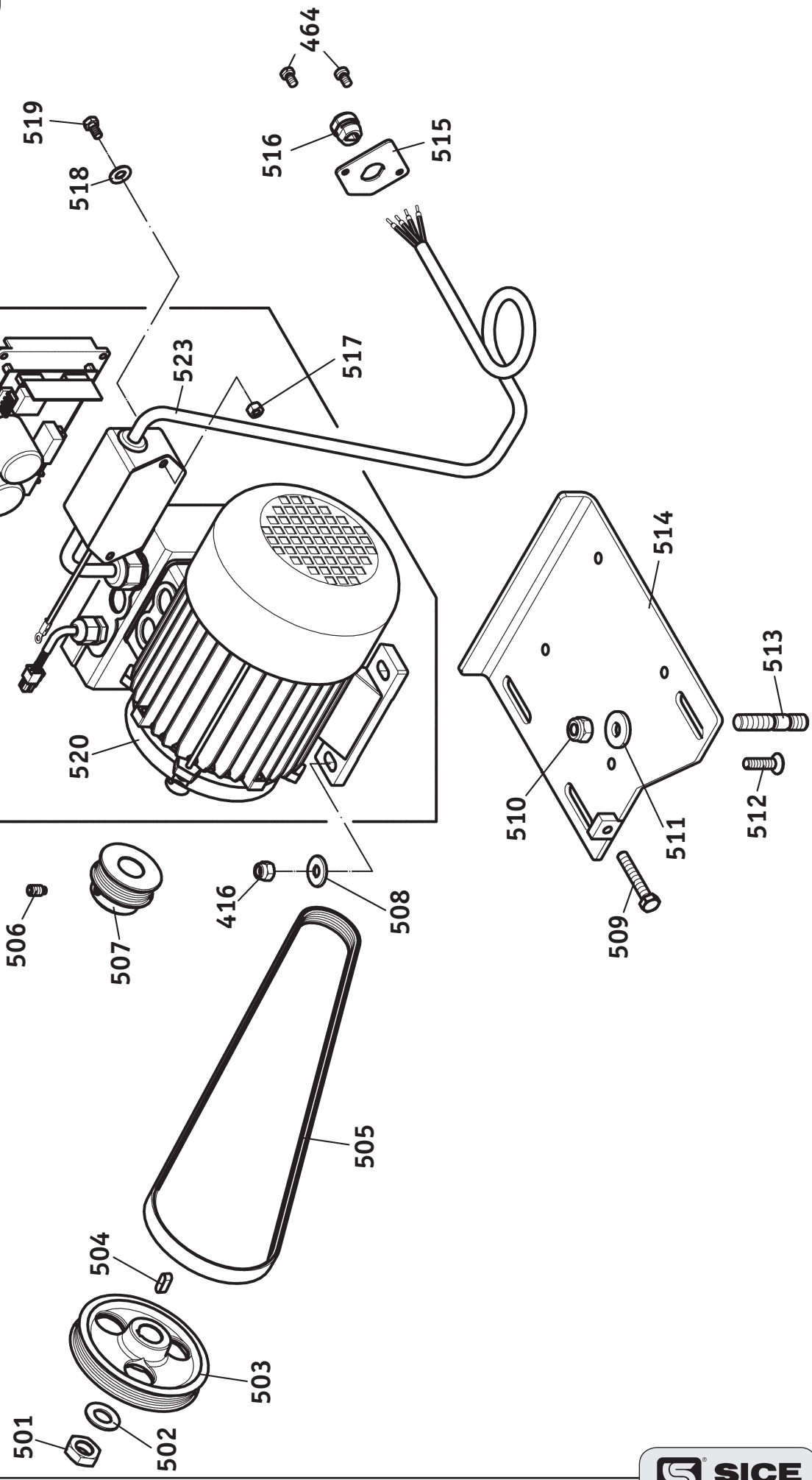






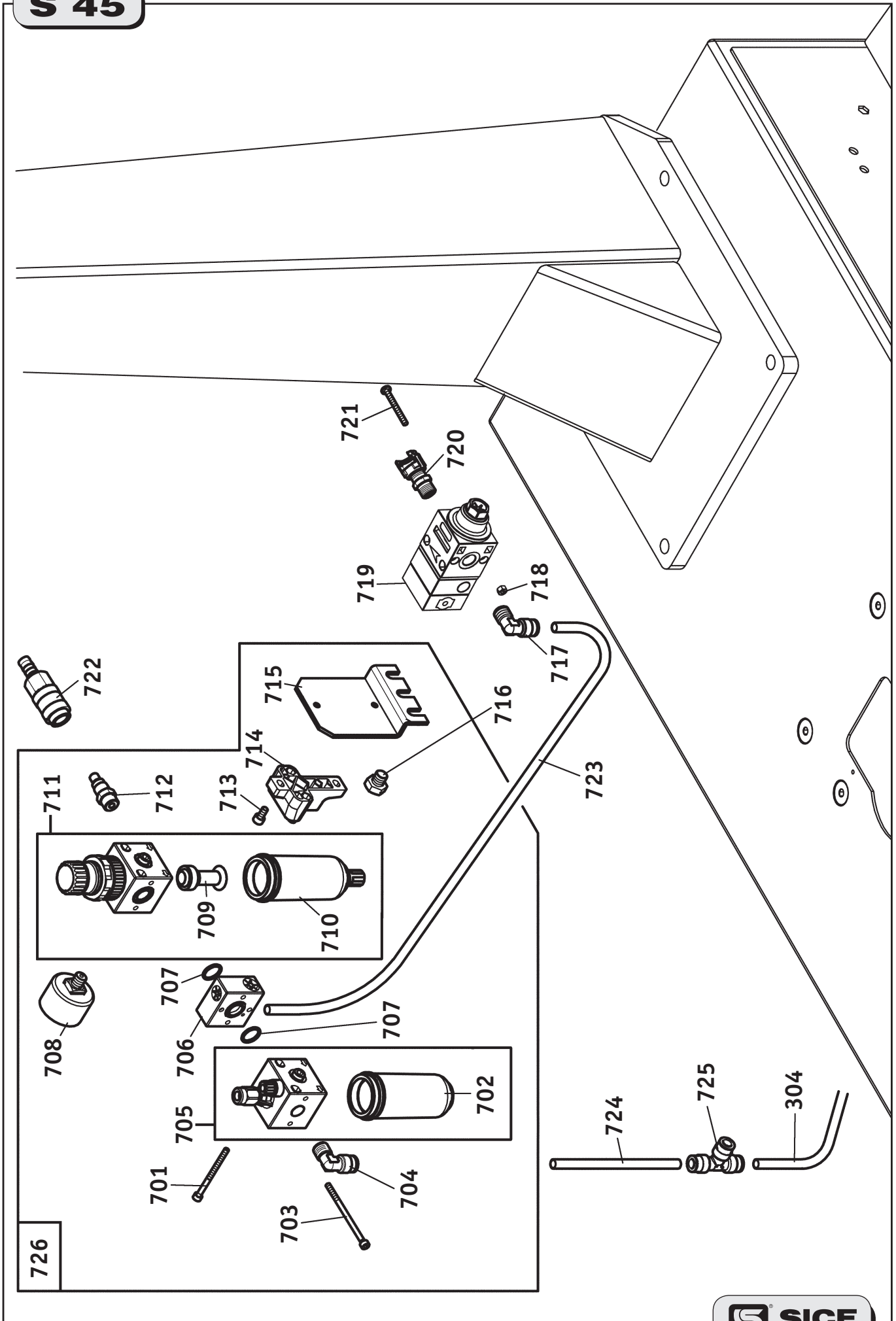


524

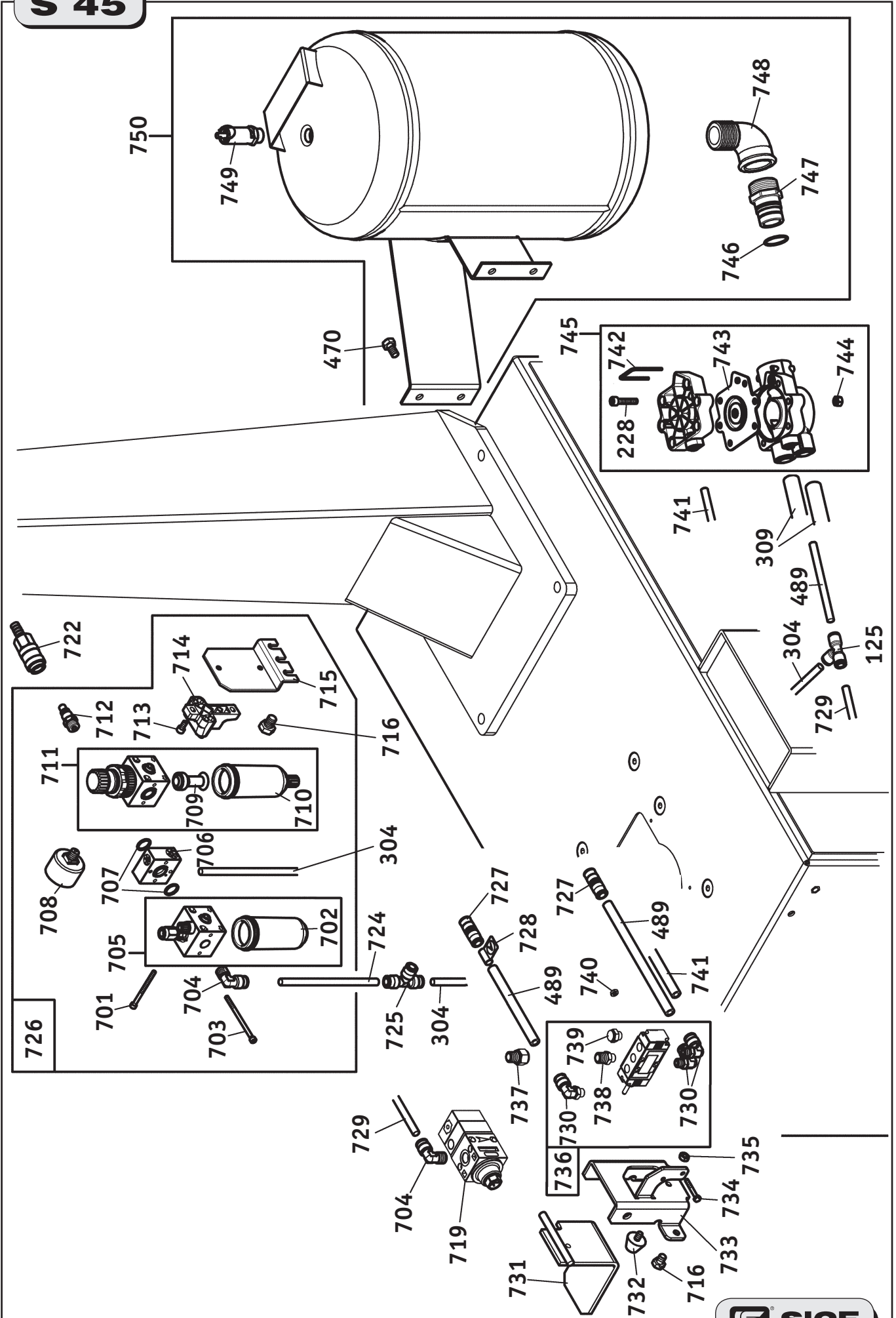




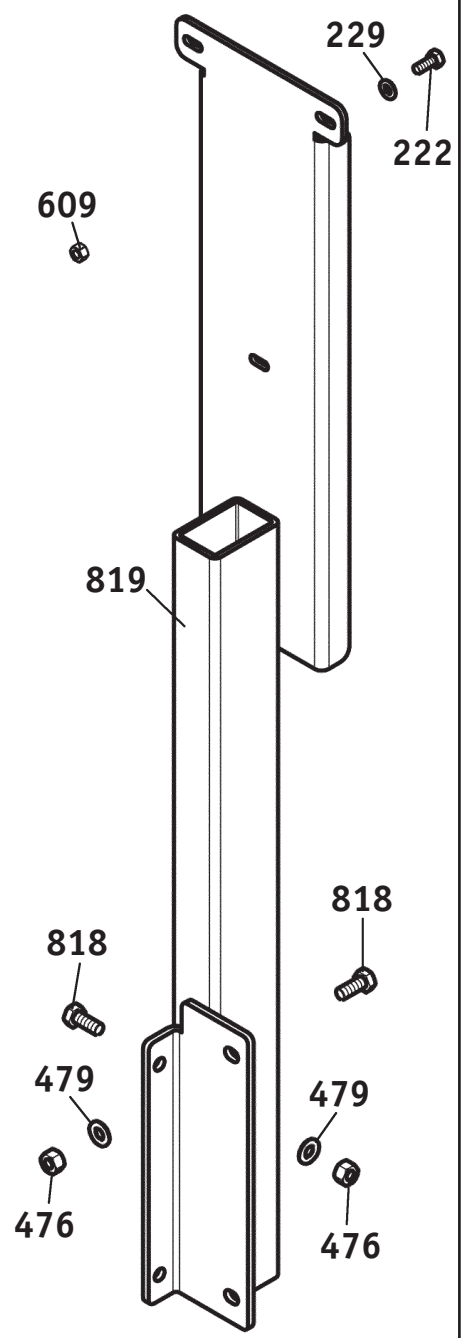
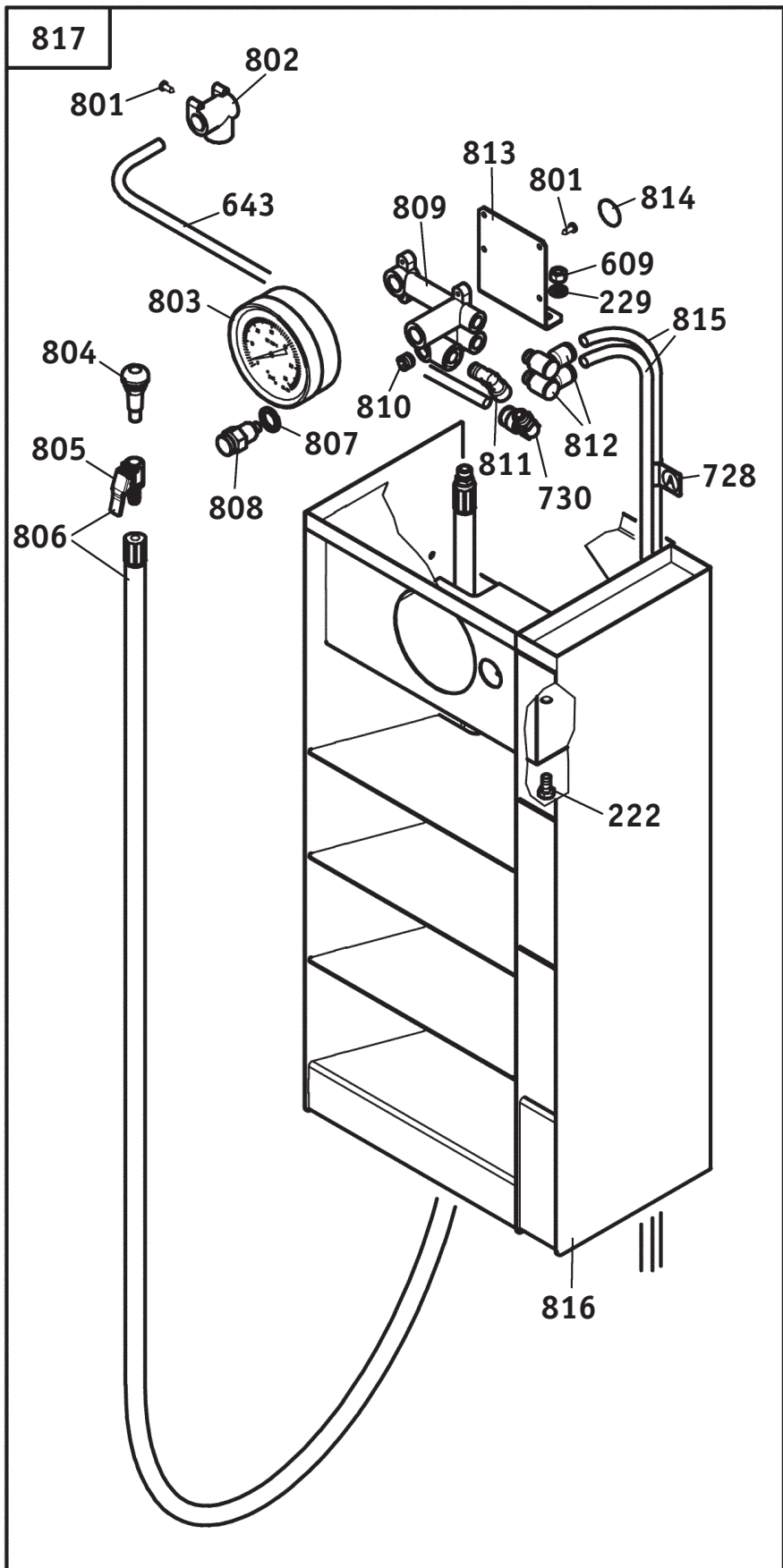




**S 45**



# S 45



Rif. Ref.	Codice Code	Descrizione	Description
1	3014056	TARGA PERICOLO TENSIONE	WARNING TENSION LABEL
2	4-404330	TARGA SICE	SICE LABEL
3	2-03542	VITE TCIC M 6X12	CROSS PAN HEAD SCREW M 6X12
4	2-02742	VITE AUTOF. 3,9X9,5	SELF-TAPPING SCREW D. 3,9X9,5
5	4-403900	TARGA PEDALE GP	GP LABEL
6	3009516	LEVA COPERTONI	TYRE LEVER
7A	5-401039	FIANCATA SX + TARGHE (colore giallo)	LEFT SIDE PANEL WITH LABELS (yellow color)
7B	5-401040	FIANCATA SX + TARGHE (colore rosso)	LEFT SIDE PANEL WITH LABELS (red color)
7C	5-401041	FIANCATA SX + TARGHE (colore blu)	LEFT SIDE PANEL WITH LABELS (blue color)
7D	5-401042	FIANCATA SX GP + TARGHE (colore giallo)	LEFT SIDE PANEL WITH LABELS GP (yellow color)
7E	5-401043	FIANCATA SX GP + TARGHE (colore rosso)	LEFT SIDE PANEL WITH LABELS GP (red color)
7F	5-401044	FIANCATA SX GP + TARGHE (colore blu)	LEFT SIDE PANEL WITH LABELS GP (blue color)
8	3010159	TARGA SCRITTA GP	GP LABEL
9	4-403901	TARGA PEDALI	PEDALS LABEL
10A	5-401027	FRONTALE PROTEZIONE PEDALI (colore giallo)	PEDAL PROTECTION WITH LABELS (yellow color)
10B	5-401028	FRONTALE PROTEZIONE PEDALI (colore rosso)	PEDAL PROTECTION WITH LABELS (red color)
10C	5-401029	FRONTALE PROTEZIONE PEDALI (colore blu)	PEDAL PROTECTION WITH LABELS (blue color)
10D	5-401030	FRONTALE PROTEZIONE PEDALI GP (colore giallo)	PEDAL PROTECTION WITH LABELS GP (yellow color)
10E	5-401031	FRONTALE PROTEZIONE PEDALI GP (colore rosso)	PEDAL PROTECTION WITH LABELS GP (red color)
10F	5-401032	FRONTALE PROTEZIONE PEDALI GP (colore blu)	PEDAL PROTECTION WITH LABELS GP (blue color)
11	4-403875	TARGA S 45	S 45 LABEL
12	3305148	PIEDE	RUBBER FOOT
13	3020173	PROTEZIONE ANTERIORE	FRONT PROTECTION PLATE
14A	3020174	PROTEZIONE POSTERIORE	REAR PROTECTION PLATE
14B	3020172	PROTEZIONE POSTERIORE GP	REAR PROTECTION PLATE GP
15	3020842	TARGA SENSO ROTAZIONE	SENSE OF ROTATION ARROW
16	4-403536	CARCASSA	BODY
17	4294838	PENNELLO GRASSO	TYRE PASTE APPLICATOR
18	4-400539	SUPPORTO VASO GRASSO	TYRE PASTE CONTAINER SUPPORT
19	4-401740	APPOGGIO RUOTA	WHEEL SUPPORT
20	2-80134	VITE TSPEI M 6X16	SCREW M 6X16
101	3008225	GRIFFA BLOCCAGGIO	CLAMPING JAW
102	4-402075	SCORREVOLE CON NICCHIA	SLIDE
103	3008731	SCORREVOLE	SLIDE
104	3021213	LAMA COPRIASOLA	COVER PLATE
105	4-401688	SCORREVOLE INFERIORE	SLIDING GUIDE
106	4-401686	SCORREVOLE CON PERNO	SLIDING GUIDE WITH PIN
107	4-401685	SCORREVOLE CON PERNO	SLIDING GUIDE WITH PIN
108	3308152	CAPPUCCIO PIASTRA AUTOCENTRANTE	TURNTABLE CAP
109	2-02344	VITE TE M 16X50	SCREW M 16X50
110	3094668	RONDELLA PIASTRA AUTOCENTRANTE	TURNTABLE WASHER
111	2-71921	SPINA EL. D. 5X14	SPRING-TYPE STRAIGHT PIN D. 5X14
112	2-03135	SPINA EL. D. 8X24	SPRING-TYPE STRAIGHT PIN D. 8X24
113	2-03559	VITE TCEI M 8X20	SOCKET HEAD CAP SCREW M 8X20
114	4-404546	PIASTRA AUTOCENTRANTE	TURNTABLE
115	4-404175	MOZZO PIASTRA AUTOCENTRANTE	TURNTABLE HUB
116	3010581	RASAMENTO D. 75X97,5X0,5	WASHER D. 75X97,5X0,5
117	4-401735	DISTANZIALE D. 18x24x5,5	SPACER D. 18X24X5,5

Rif. Ref.	Codice Code	Descrizione	Description
118	5-400428	FLANGIA COMANDO	CONTROL PLATE
119	4-401734	DISTANZIALE D. 18x24x6,5	SPACER D. 18X24X6,5
120	4-401733	BOCCOLA D. 12x18x24,5	BUSH D. 12X18X24,5
121	2-02519	ANELLO EL. D. 72	RETAINING RING FOR SHAFT D. 72
122	2-03539	VITE TE M 12X100 10K 1/2 FIL.	SCREW M 12X100 10K
123	3321211	PROTEZIONE ANTERIORE CILINDRO	CYLINDER FRONT COVER
124	4-401998	TUBO RILSAN D. 8-6 L=62	PNEUMATIC HOSE D. 8-6 L=62
125	3-00025	RACCORDO A T 8-6 RAPIDO	T-QUICK UNION 8-6
126	4-401988	TUBO POLIURETANO A SPIRALE D. 8-5 L=410	POLYURETHAN SPIRAL HOSE D. 8-5 L=410
127	3321212	PROTEZIONE POSTERIORE CILINDRO	CYLINDER REAR PROTECTION COVER
128	2-03354	ROSETTA D. 12	WASHER FOR CHEESE SCREW M 12
129	2-00025	ANELLO EL. D. 12	RETAINING RING FOR SHAFT D. 12
130	3-00477	RACCORDO DIRITTO 1/8" 8-6 RAPIDO	QUICK UNION 1/8" 8-6
131	2-02057	VITE TCEI M 6X20	SOCKET HEAD CAP SCREW M 6X20
132	4-401721	STELO D. 20	SHAFT D. 20
133	4220637	GUARNIZIONE RASCHIATORE 20X26X3,6	LIPPED GASKET 20X26X3,6
134	3020641	FLANGIA ANTERIORE	CYLINDER FRONT FLANGE
135	4209740	GUARNIZIONE OR 3,53X63,09	O-RING 3,53X63,09
136	4217860	GUARNIZIONE PISTONE D. 70	GASKET WITH FLANGE D. 70
137	3021185	CAMICIA D. 70	CASING CYLINDER D. 70
138	2202349	KIT GUARNIZIONI + PISTONE D.70	SET OF GASKET CYLINDER D. 70
139	3010677	RONDELLA D. 12,5X30X3	WASHER D. 12,5X30X3
140	2-91640	DADO BASSO M 12	LOW NUT M 12
141	3020642	FLANGIA POSTERIORE	CYLINDER REAR FLANGE
142	5-400549	CILINDRO D. 70X20X330 COMPLETO	COMPLETE CYLINDER D. 70X20X330
143	2201587	RACCORDO SEMPLICE 1/8" 8-6	STRAIGHT MALE ADAPTOR 1/8" 8-6
144	5-490717	AUTOCENTRANTE COMPLETO	COMPLETE SELF-CENTERING CHUCK
145	5-400185	SCORREVOLE CON CARTUCCIA	SLIDE WITH NOZZLE AND UNION
146	4-402546	TUBO POLIURETANO A SPIRALE D. 10-6,5 L=610	POLYURETAN SPIRAL HOSE D. 10-6,5 L=610
147	2200938	SCORREVOLE CON CARTUCCIA	SLIDE WITH NOZZLE AND UNION
148	4-404454	PIASTRA AUTOCENTRANTE GP	TURNTABLE (GP VERSION)
149	4-401994	DISTANZIALE GUIDA TUBI	SPACER FOR HOSES GUIDE
150	3317297	GUIDA TUBI	HOSES GUIDE
151	5-490718	AUTOCENTRANTE GP COMPLETO	COMPLETE SELF-CENTERING CHUCK (GP VERSION)
201	3-00517	RACCORDO A L 1/4" 10-8 RAPIDO ORIENTABILE	L-QUICK REVOLVING UNION 1/4" 10-8
202	3015796	TUBO RILSAN D. 10-8 L=1100	PNEUMATIC HOSE D. 10-8 L=1100
203	3013659	CAMICIA CILINDRO D. 200	CASING CYLINDER D. 200
204	2-02534	DADO M 18X1,5	NUT M 18X1,5
205	4-403586	PISTONE D. 200	PISTON D. 200
206	3-02042	GUARNIZIONE PISTONE D. 200	GASKET D. 200
207	4213667	GUARNIZIONE OR 3,53X196,4	O-RING 3,53X196,4
208	2-02795	DADO M 6 FLANGIATO	NUT WITH FLANGE M 6
209	3013644C	FLANGIA CILINDRO D. 200	CYLINDER FLANGE D. 200
210	2-80101	VITE TCEI M 12X30	SOCKET HEAD CAP SCREW M 12X30
211	4-403808	BOCCOLA FULCRO CILINDRO STALLONATORE	BEAD BREAKER BUSH
212	4206523	GUIDA STELO WRI-20	WEAR RING FOR ROD WRI-20
213	4206114	GUARNIZIONE NSW 20-30-6	LIPPED GASKET NSW 20-30-6
214	3010912	RASAMENTO D. 24X29,5X0,5	WASHER D. 24X29,5X0,5



Rif. Ref.	Codice Code	Descrizione	Description
215	4300414	SEEGER INT. D. 30	RETAINING RING FOR BORE D. 30
216	4-403593	STELO D. 20	SHAFT D. 20
217	2-01242	DADO AUTOBL. M 18X1,5	NUT WITH POLYAMID RING M 18X1,5
218	4-402011	TUBO RILSAN D. 10-8 L=1400	PNEUMATIC HOSE D. 10-8 L=1400
219	5-490750	CILINDRO STALLONATORE COMPLETO	COMPLETE BEAD BREAKER CYLINDER
220	5-490511	SERIE GUARNIZIONI CILINDRO D. 200	SET OF GASKET CYLINDER D. 200
221	3020141	MOLLA TRAZIONE	TENSION SPRING
222	2-91767	VITE TE M 6X12	HEXAGON HEAD CAP SCREW M 6X12
223	4-402225	PERNO FULCRO BRACCIO STALLONATORE	BEAD BREAKER FULCRUM PIN
224	3017251	RASAMENTO D. 20,3X42X0,5	WASHER D. 20X42X0,5
226	2-01139	ANELLO EL. D. 35	RETAINING RING FOR SHAFT D. 35
227	3018147	PERNO ORIENTABILE	SWINING PIN
228	2-02134	VITE TCEI M 6X30	SOCKET HEAD CAP SCREW M 6X30
229	2-00211	RONDELLA D. 6	WASHER FOR HEX CAP SCREW M 6
230	4-403926	TAMPONE FINE CORSA STALLONATORE	BEAD BREAKER STROKE END
231	5-400477	PERNO BLOCCAGGIO ROTAZIONE	ROTATION LOCKING PIN
232	2-01163	DADO AUTOBL. M 16	NUT WITH POLYAMIDE RING M 16
233	3016999	DISTANZIALE MOZZO	HUB SPACER
234	4217252	ANELLO ELASTICO D. 40X20,3X2	CONICAL SPRING WASHER D. 40X20X2
235	4-404709	ATTACCO PALETTA	BLADE SUPPORT
236	4-401902	TRASCINATORE	SPELLBINDER PIN
237	4-404708	SNODO A CROCE	BLADE HUB
238	4-401901	VITE SPECIALE M 14X1,5	SPECIAL SCREW M 14X1,5
239	3014616	RONDELLA D. 14,25X36X5	WASHER D. 14,25X36X5
240	4-401900	DISTANZIALE D. 14,25X22X17,5	BUSH D. 14,25X22X17,5
241	4-404850	TARGA POSIZIONI PALETTA	BLADE POSITION LABEL
242	4-402938	TARGA PERICOLO STALLONATORE	WARNINGS LABEL
243	5-490751	BRACCIO STALLONATORE COMPLETO	COMPLETE BEAD BREAKER ARM
244	3305242	IMPUGNATURA A SFERA	PLASTIC BALL KNOB
245	4-400063	PALETTA	BLADE
246	4-401323	VITE SPECIALE M 14	SPRCIAL SCREW M 14
247	4-400510	RASAMENTO D. 14,5X35X0,3	WASHER D. 14,5X35X0,3
248	2-01106	DADO AUTOBL. M 14	NUT WITH POLYAMIDE RING M 14
249	5-400351	PALETTA COMPLETA	COMPLETE BLADE
301	3-00175	RACCORDO A Y 1/8" 8-6	Y-QUICK UNION 1/8" 8-6
302	3010107	VITE TRAINO RACCORDO GIREVOLE	SCREW FOR ROTATING UNION
303	4-403902	TUBO RILSAN D. 8-6 L=350	PNEUMATIC HOSE D. 8-6 L=350
304	3009007	TUBO RILSAN D. 8-6 L=1300	PNEUMATIC HOSE D. 8-6 L=1300
305	4207833	GUARNIZIONE OR 65X60X2,62	O-RING 65X60X2,62
306	5-400648	RACCORDO GIREVOLE COMPLETO	COMPLETE ROTATING UNION
307	4210093	GUARNIZIONE OR 90X2	O-RING 90X2
308	4210092	GUARNIZIONE OR 2,62X63,17	O-RING 2,62X63,17
309	4-403819	TUBO RILSAN D. 14-11 L=1000	PNEUMATIC HOSE D. 14-11 L=1000
310	5-400664	RACCORDO GIREVOLE COMPLETO (VERSIONE GP)	COMPLETE ROTATING UNION (GP VERSION)
311	2-03186	VITE TSPEI M1 0X80 10K	SCREW M 10X80 10K
312	5-400931	RIDUTTORE COMPLETO	COMPLETE GEARBOX
401	2-02049	VITE TCEI M 8X30	SOCKET HEAD CAP SCREW M 8X30
402	4-400722	POMOLO PORTA CILINDRO	KNOB

Rif. Ref.	Codice Code	Descrizione	Description
403	4214060	SPINA CILINDRICA D. 4X32	PIN D. 4X32
404	3094819	TUBO RILSAN NERO D. 6-4 L=370	PNEUMATIC HOSE D. 6-4 L=370
405	2-02818	VITE TCEI M 4X12	SCREW M 4X12
406	2-00209	RONDELLA D. 4	WASHER D. 4
407	4219389	GUARNIZIONE DEP 14-8	GASKET DEP 14-8
408	2201945	BLOCCHETTO CILINDRO COMPLETO	COMPLETE CYLINDER CONNECTING BLOCK
409	4215447	GUARNIZIONE OR 1,78X6,07	O-RING 1,78X6,07
410	2-02966	RONDELLA ALLUMINIO D. 5	ALLUMINIUM WASHER D. 5
411	4219388	SILENZIATORE M 5	SILENCER M 5
412	2-00891	VITE TCEI M 5X10	SOCKET HEAD CAP SCREW M 5X10
413	5-400541	CILINDRO D. 14 COMPLETO	COMPLETE CYLINDER D. 14
414	4-404407	MOLLA COMPRESSIONE	SPRING
415	4-400720	CARTER BLOCCAGGIO VERTICALE	VERTICAL LOCKING COVER
416	2-01020	DADO AUTOBL. M 8	NUT WITH POLYAMIDE RING M 8
417	4218947	ROSETTA SFERICA FORMA C	SPHERICAL WASHER TYPE C
418A	4-402587	COPERCHIO PROTEZIONE MOBILE (colore giallo)	ARM PROTECTION COVER (yellow color)
418B	4-401649	COPERCHIO PROTEZIONE MOBILE (colore rosso)	ARM PROTECTION COVER (red color)
418C	4-402579	COPERCHIO PROTEZIONE MOBILE (colore blu)	ARM PROTECTION COVER (blue color)
419	4218948	ROSETTA BASE CONICA FORMA G	CONICAL SEAT TYPE G
420	2-03364	PRIGIONIERO M 8X35	MEDIUM END STUD M 8X35
421	3011973	TUBO RILSAN NERO D. 6-4 L=2200	PNEUMATIC HOSE D. 6-4 L=2200
422	3094820	TUBO RILSAN NERO D. 6-4 L=230	PNEUMATIC HOSE D. 6-4 L=230
423	2-71449	VITE TCIC M 6X16	SCREW M 6X16
424	4-400460	DISTANZIALE CARTER H=8	SPACER COVER H=8
425	4-403879	TARGA FUNZIONI VALVOLA MANIGLIA	CONTROL HANDLE FUNCTIONS LABEL
426	5-490489	KIT SOSTITUZIONE PULSANTI	PUSH-BUTTON REPLACEMENT KIT
427	2018167D	MANIGLIA COMANDO COMPLETA	COMPLETE CONTROL HANDLE
428	2-01923	VITE TCEI M 5X12	SOCKET HEAD CAP SCREW M 5X12
429	5-400100	ATTACCO RAPIDO	QUICK EXCHANGE DEVICE ADAPTOR
430	2-02976	ANELLO EL. D. 36	RETAINING RING D. 36
431	3309545	AMMORTIZZATORE TORRETTA	MOUNTING HEAD SHOCK ABSORBER
432	4-403636	ASTA ESAGONALE	HEXAGONAL ARM
433	4-400461	DISTANZIALE CARTER H=2	SPACER COVER H=2
434	2-03553	VITE TCEI M 10X20 12K	SCREW M 10X20 12K
435	9350197	VITE FISSAGGIO TORRETTA	MOUNTING HEAD FIXING SCREW
436A	5-401051	PROTEZIONE MOBILE + TARGHE (colore giallo)	COVER WITH LABELS (yellow color)
436B	5-401052	PROTEZIONE MOBILE + TARGHE (colore rosso)	COVER WITH LABELS (red color)
436C	5-401053	PROTEZIONE MOBILE + TARGHE (colore blu)	COVER WITH LABELS (blue color)
437	4220605	SPINA ELASTICA D. 5X25	SPRING TENSION PIN D. 5X25
438	9350194	RONDELLA TORRETTA	MOUNTING HEAD FIXING WASHER
439	4-400568	PIASTRA BLOCCAGGIO VERTICALE	VERTICAL LOCKING PLATE
440	3093674	RULLINO CONICO UNGHIA	CLAW ROLLER
441	2202073	TORRETTA COMPLETA	COMPLETE MOUNTING HEAD
442	2-01146	VITE STEI M 10X10 P. PIANA	SOCKET SET SCREW M 10X10
443	3-00119	RACCORDO A T 1/8" 6-4	T-UNION 1/8" 6-4
444	3-00228	RACCORDO A L 1/8" M-F ORIENTABILE	L-REVOLVING UNION 1/8" M-F
445	3007871	CILINDRO D. 60	CYLINDER D. 60
446	2-03541	VITE TCEI M 6X35 1/2 FIL.	SCREW M 6X35

Rif. Ref.	Codice Code	Descrizione	Description
447	4-403730	BRACCIO ORIZZONTALE	HORIZONTAL ARM
448	4212240	GUARNIZIONE DE 237	GASKET DE 237
449	3312239	PISTONE D. 60	PISTON D. 60
450	2200641	CILINDRO D. 60 COMPLETO	COMPLETE CYLINDER D. 60
451	3306762	AMMORTIZZATORE BRACCIO ORIZZONTALE	HORIZONTAL ARM SHOCK ABSORBER
452	3014095	TARGA PERICOLO 5 LINGUE	"DANGER" LABEL
453	3019267	RULLINO BRACCIO ORIZZONTALE	HORIZONTAL ARM ROLLER
454	3019266	ECCENTRICO RULLINO	ECCENTRIC ROLLER
455	2-01040	VITE STEI M 12X12 P. PIANA	SOCKET SET SCREW M 12X12
456	4-403731	PALO VERTICALE ROTANTE	SWINGING VERTICAL POST
457	3307163	ANELLO GUIDA PALO MOBILE	VERTICAL ARM GUIDE RING
458	2-00214	RONDELLA D. 12	WASHER FOR HEX CAP SCREW M 12
459	4-400719	FORCELLA PALO VERTICALE	VERTICAL ARM BRAKET
460	4-400569	PERNO TRAINO PALO	PIN
461	2-01021	DADO AUTOBL. M 12	NUT WITH POLYAMIDE RING M 12
462	4-402837	TARGA LEGGI MANUALE E PERICOLO MANI	WARNING LABEL
463	4-403062	PALO VERTICALE FISSO	FIXED VERTICAL POST
464	2-01288	VITE TCIC M 6X10	CROSS PAN HEAD SCREW M 6X10
465	3313786	RONDELLA PROTEZIONE MOBILE	ARM PROTECTION WASHER
466	4-402838	TARGA PERICOLO ESPLOSIONE E SCOLLEGAMENTO	WARNING LABEL
467	3007126	TUBO RILSAN NERO D. 6-4 L=1000	PNEUMATIC HOSE D. 6-4 L=1000
468	3318138	GUIDA TUBI L=308	HOSES GUIDE L=308
469	3005194	RONDELLA D. 8,1X26,5X4	WASHER D. 8,1X26,5X4
470	2-02341	VITE TE M 8X16	HEXAGON HEAD CAP SCREW M 8X16
471	3319268	BOCCOLA GUIDA TUBI	HOSES GUIDE BUSH
472	3-00106	RACCORDO A L 1/8" 6-4	L UNION 1/8" 6-4
473	3010469	REGISTRO BLOCCAGGIO VERTICALE	VERTICAL LOCKING REGULATOR
474	2-02797	PRIGIONIERO M 12X40	MEDIUM END STUD M 12X40
475	4-404417	PIASTRA BLOCCAGGIO ORIZZONTALE	HORIZONTAL LOCKING PLATE
476	2-00128	DADO ALTO M 8	NUT M 8
477	3093822	CONO BLOCCAGGIO ORIZZONTALE	HORIZONTAL LOCKING CONE
478	3005803	MOLLA COMPRESSIONE	HELICAL COMPRESSION SPRING
479	2-00212	RONDELLA D. 8	WASHER FOR HEX CAP SCREW M 8
480	3318139	CARTER BLOCCAGGIO ORIZZONTALE	HORIZONTAL LOCKING COVER
481	4-405010	GANCIO PISTOLA	GAUGE HOOK
482	2-91688	VITE AUTOF. D. 3,5X 6,5	SELF TAPPING SCREW D. 3,5X6,5
483	4-404379	TUBO RILSAN D. 8-6 L=1400	PNEUMATIC HOSE D. 8-6 L=1400
484	3306765	TAPPO PALO VERTICALE	VERTICAL ARM CAP
485	2406681	VITE CON RONDELLA E RULLINO	COLUMN ROTATION CAM
486	3014046	TARGA PERICOLO ROTAZIONE PALO	WARNING LABEL
487	2-01038	RONDELLA D. 20	WASHER FOR HEX CAP SCREW M 20
488	3307136	COPERCHIO PALO VERTICALE	VERTICAL ARM COVER
489	3015551	TUBO RILSAN D. 8-6 L=1600	PNEUMATIC HOSE D. 8-6 L=1600
490	3-00039	RACCORDO DIRITTO 1/8" 8-6	UNION 1/8" 8-6
491	4-401309	TIRANTE M 8	CYLINDER TIE ROD M 8
492	3009470	FLANGIA POSTERIORE CILINDRO D. 90	CYLINDER REAR FLANGE D. 90
493	4209464	GUARNIZIONE OR 3,53X82,14	O-RING 3,53X82,14
494	4209463	GUARNIZIONE PISTONE D. 90	GASKET WITH FLANGE D. 90

Rif. Ref.	Codice Code	Descrizione	Description
495	4-401308	CAMICIA CILINDRO D. 90	CASING FOR CYLINDER D. 90
496	3009469	FLANGIA ANTERIORE CILINDRO D. 90	CYLINDER FRONT FLANGE D. 90
497	4-401307	STELO CILINDRO D. 90	SHAFT FOR CYLINDER D. 90
498	5-490272	SET GUARNIZIONI CIL. D.90X150	SET OF GASKET CYLINDER D.90
499	5-401069	CILINDRO D. 90X150 COMPLETO	COMPLETE CYLINDER D. 90X150
501	2-71765	DADO BASSO M 14	LOW NUT M 14
502	2-00215	RONDELLA D. 14	WASHER FOR HEX CAP SCREW M 14
503	4-403630	PULEGGIA RIDUTTORE POLY-V	PULLEY POLY-V
504	2-01950	LINGUETTA 6X6X18	PARALLEL KEY 6X6X18
505	3-02061	CINGHIA POLY-V	BELT POLY-V
506	2-02561	VITE STEI M 8X14 P. CIL.	SOCKET SET SCREW M 8X14
507	4-401658	PULEGGIA MOTOINVERTER POLY-V	MOTOR-INVERTER PULLEY POLY-V
508	2-01299	ROSETTA D. 9X24X2	WASHER D. 9X24X2
509	2-80038	VITE TE M 8X50	SCREW M 8X50
510	2-01019	DADO AUTOBL. M 10	NUT WITH POLYAMIDE RING M 10
511	4300590	ROSETTA D. 10X28X4	WASHER D. 10X28X4
512	2-02032	VITE TSPEI M 8X30 10K	SOCKET COUNTERSUNK SCREW M 8X30 10K
513	2-03478	PRIGIONIERO M 10X25	SCREW M 10X25
514	4-403597	PIASTRA FISSAGGIO MOTORI	MOTOR FIXING PLATE
515	4-403072	PIASTRINA FERMACAPO	CABLE HOLDER PLATE
516	3-01908	PRESSACAPO	CABLE HOLDER
517	2-00144	DADO M 5	NUT M 5
518	2-71546	ROSETTA EL. D. 5	WASHER D. 5
519	2-03208	VITE TE M 5X14	SCREW M 5X14
520	4-405857	MOTORE 230V-1PH-50/60HZ	ELECTRIC MOTOR 230V-1PH-50/60HZ (W/O INVERTER)
521	2-91647	VITE TCIC M 5X12	CROSS PAN HEAD SCREW M 5X12
522	4-405602	SCHEDA INVERTER 230V + DISSIPATORE	INVERTER PCB 230V + DISSIPATOR
523	4-101687C	CAVO MOTORE CON FILTRO	MOTOR CABLE WITH FILTER
524	3-02054	MOTORE 230V-1PH-50/60HZ COMPLETO	COMPLETE ELECTRIC MOTOR 230V-1PH-50/60HZ
601	2-02248	ROSETTA EL. D. 8	UNDULATED SPRING WASHER D. 8
602	4-403659	BIELLA CAMMA	CAM CONNECTING ROD
603	4-403790	MOLLA TRAZIONE	TENSION SPRING
604	2-01018	DADO AUTOBL. M 4	NUT WITH POLYAMIDE RING M 4
605	4-403777	PEDALE CAMME DX	RIGHT PEDAL
606	2-03538	VITE TE M 4X25 1/2 FIL.	SCREW M 4X25
607	4-403702	BOCCOLA MOLLA	SPRING BUSH
608	4-403703	BOCCOLA MOLLA	SPRING BUSH
609	2-00127	DADO ALTO M 6	NUT M 6
610	4-403658	CAMMA COMANDO MICRO	MICROSWITCHES DRIVE CAM
611	2-02811	VITE TE M 6X40	HEXAGON HEAD CAP SCREW M 6X40
612	4-403774	PEDALE CAMME SX	LEFT PEDAL
613	4-403778	PEDALE MICRO DX	RIGHT MICROSWITCH PEDAL
614	4-403374	FRONTALE PEDALIERA	PEDALS FRONT PLATE
615	3011005	SEPARATORE PEDALI	PEDALS SEPARATOR
616	3-01451	MICROINTERRUPTORE PEDALIERA	MICROSWITCH
617	4-403740	PEDALE STALLONATORE DX	RIGHT BEAD-BREAKER PEDAL
618	2-01122	ANELLO EL. D. 15	RETAINING RING FOR SHAFT D. 15
619	3005803	MOLLA COMPRESSIONE	HELICAL COMPRESSION SPRING

Rif. Ref.	Codice Code	Descrizione	Description
620	4-403732	PERNO MOLLA	SPRING PIN
621	4-403791	MOLLA TORSIONE	HELICAL TORSION SPRING
622	4-403715	PERNO PEDALIERA	PEDAL PIN
623	4-403686	TELAIO PEDALIERA	PEDAL BASE
624	4-403734	VITE PORTA MOLLA	SPECIAL SCREW
625	2-02092	VITE TCEI M 6X14	SOCKET HEAD CAP SCREW M 6X14
626	2-03355	VITE TCI M 3X45	SOCKET HEAD CAP SCREW M 3X45
627	4-403709	SUPPORTO MICRO	MICROSWICTHES SUPPORT
628	4-401771	COPERCHIO	COVER
629	2-01017	DADO AUTOBL. M 3	NUT WITH POLYAMIDE RING M 3
630	2-00208	RONDELLA D. 3	WASHER FOR HEX CAP SCREW M 3
631	4-402009	CAVO MICRO	MICROSWITCH CABLE
632	4-404362	STROZZATORE D. 1,75	NARROWING PIECE D. 1,75
633	3-00182	SILENZIATORE 1/4"	SILENCER 1/4"
634	3-02192	RACCORDO A Y 8-6 RAPIDO	Y-QUICK UNION 8-6
635	5-490749	VALVOLA BRACCIO AUTOMATICO + STROZZATORI	VALVE WITH NARROWING PIECES
636	5-400951	VALVOLA DX COMPLETA D. 8	COMPLETE RIGHT VALVE D. 8
637	5-400953	VALVOLA DX COMPLETA D. 10	COMPLETE RIGHT VALVE D. 10
638	3006149	BALESTRA A FORCELLA	FORK LEAF SPRING
639	3306148	CAMMA DOPPIA	TRIP CAM
640	3009605	CAVALLOTTO GUIDA BIELLA	CONNECTING ROD GUIDE BRACKET
641	2-01272	VITE AUTOF. D. 2,9X9,5	SELF-TAPPING SCREW D. 2,9X9,5
642	2-03532	VITE TE M8X20 FLANGIATA	HEXAGON FLANGE BOLTS M 8X20
643	3009182	TUBO RILSAN D. 8-6 L=240	PNEUMATIC HOSE D. 8-6 L=240
644	3014052	TUBO RILSAN D. 8-6 L=300	PNEUMATIC HOSE D. 8-6 L=300
645	5-490939	PEDALIERA COMPLETA	COMPLETE PEDALS
701	2-03034	VITE TCEI M 4X55 1/2 FIL.	SOCKET HEAD CAP SCREW M 4X55
702	4220007	TAZZA LUBRIFICATORE	LUBRICATOR TANK
703	2-03033	VITE TCEI M 4X70 1/2 FIL.	SOCKET HEAD CAP SCREW M 4X70
704	3-00060	RACCORDO A L 1/4" 8-6 RAPIDO ORIENTABILE	L-QUICK REVOLVING UNION 1/4" 8-6
705	4220004	LUBRIFICATORE COMPLETO	COMPLETE LUBRICATOR UNIT
706	4220002	BLOCCHETTO DI COLLEGAMENTO	CONNECTING BLOCK
707	4216117	GUARNIZIONE OR 1,78X14	O-RING 1,78X14
708	3-00488	MANOMETRO 1/8"	PRESSURE GAUGE 1/8"
709	4220008	FILTRO	FILTER
710	4220006	TAZZA FILTRO	FILTER TANK
711	4220003	FILTRO COMPLETO	COMPLETE FILTER UNIT
712	3-00410	INNESTO RAPIDO MASCHIO	QUICK MALE UNION
713	2-03546	VITE TCEI M 5X10	SCREW M 5X10
714	4220005	ATTACCO FILTRO/LUBRIFICATORE	FILTER AND LUBRICATOR HOLDER
715	3019623	SUPPORTO GRUPPO PNEUMATICO	PNEUMATIC ASSEMBLY SUPPORT
716	2-91715	VITE TE M 8X12	HEXAGON HEAD CAP SCREW M 8X12
717	3-00108	RACCORDO A L 1/4" 8-6	L UNION 1/4" 8-6
718	2-00125	DADO ALTO M 4	NUT M 4
719	3-00389	VALVOLA GONFIAGGIO RAPIDO 1/4"	QUICK INFLATING VALVE 1/4"
720	3-00202	RACCORDO CON DADO FRESATO	BAYONET CONNECTION
721	2-71762	VITE TCIC M 4X45	CROSS PAN HEAD SCREW M 4X45
722	3-00411	RUBINETTO RAPIDO A SFERA D. 10,5	BALL VALVE (D.10,5)

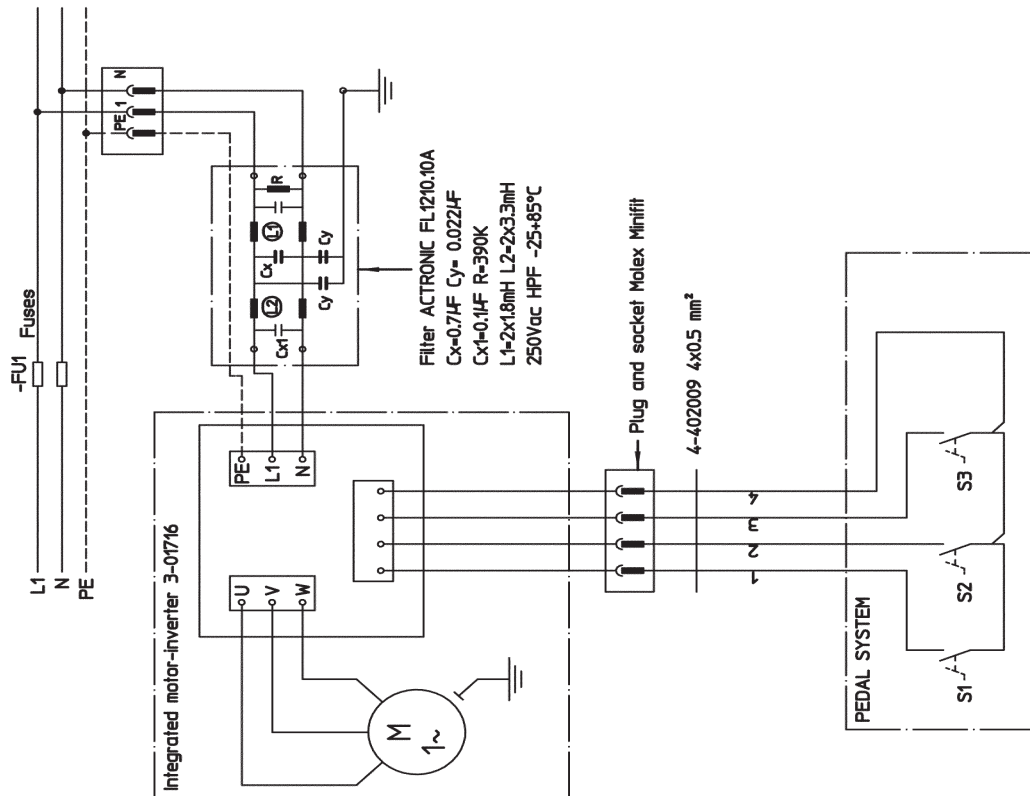


Rif. Ref.	Codice Code	Descrizione	Description
723	3010470	TUBO RILSAN D. 8-6 L=500	PNEUMATIC HOSE D. 8-6 L=500
724	3093866	TUBO RILSAN D. 8-6 L=400	PNEUMATIC HOSE D. 8-6 L=400
725	3-00115	RACCORDO A T 8-6 6-4	T UNION 8-6 6-4
726	2019621	FILTRO/REGOLATORE + LUBRIFICATORE COMPLETO	COMPLETE PRESSURE REGULATOR + LUBRICATOR
727	3-00016	RACCORDO DIRITTO 8-6 RAPIDO	QUICK UNION 8-6
728	3015825	TARGA A-A COLLEGAMENTO TUBO ARIA	DECAL, A-A HOSES CONNECTION
729	3005164	TUBO RILSAN D. 8-6 L=260	PNEUMATIC HOSE D. 8-6 L=260
730	3-00059	RACCORDO A L 1/8" 8-6 RAPIDO ORIENTABILE	L-QUICK REVOLVING UNION 1/8" 8-6
731	4-401720	PEDALE	PEDAL
732	3-02148	PARACOLPO CONICO D. 23X16 M6X12	SHOCK ABSORBER D. 23X16 M 6X12
733	4-401726	STAFFA PEDALE CON FERMO	PEDAL SUPPORT WITH STOP
734	2-80031	VITE TE M 4X30	HEXAGON HEAD CAP SCREW M 4X30
735	2-00167	DADO BASSO M 6	LOW NUT M 6
736	5-490746	VALVOLA GONFIAGGIO COMPLETA	COMPLETE INFLATING VALVE
737	3-00082	RACCORDO 1/4"M - 1/4"F	NIPPLE 1/4"M - 1/4"F
738	3-00135	RACCORDO 1/4"M - 1/8"M	NIPPLE 1/4"M - 1/8"M
739	3-00181	SILENZIATORE 1/8"	SILENCER 1/8"
740	2-02804	DADO BASSO M 4	LOW NUT M 4
741	3010923	TUBO RILSAN D. 8-6 L=800	PNEUMATIC HOSE D. 8-6 L=800
742	4-403678	FORCELLA A U	U FORK
743	4-403680	MEMBRANA VALVOLA DI SOFFIAGGIO	DIAPHRAGM
744	2-01979	DADO AUTOBL. BASSO M 6	LOW SELF-LOCKING NUT M 6
745	5-400942	VALVOLA SPARO INNESTO RAPIDO	COMPLETE INFLATING VALVE
746	3-02068	GUARNIZIONE OR D. 25,12X1,78	O-RING D. 25,12X1,78
747	4-403685	RACCORDO INNESTO RAPIDO 1"	MALE ADAPTER 1"
748	3-00961	RACCORDO A L 1"	L-UNION 1"
749	3-01573	VALVOLA DI SICUREZZA 1/4"	SAFETY VALVE 1/4"
750	4-403815	SERBATOIO COMPLETO	COMPLETE AIR TANK
801	2-01321	VITE AUTOF. D. 3,5X9,5	SELF-TAPPING SCREW D. 3,5X9,5
802	4-402065	ATTACCO TUBO ARIA + CARTUCCIA	TEE CROSS WITH CARTRIDGE
803	3-00490	MANOMETRO 1/4"	PRESSURE GAUGE 1/4"
804	3-01568	ATTACCO IN GOMMA	RUBBER CORE VALVE
805	3-00425	RACCORDO DOYFE	DOYFE INFLATING VALVE
806	4-400206A	TUBO USCITA ARIA L=2000	AIR OUTLET HOSE L=2000
807	3-00445	RONDELLA PLASTICA 1/4"	NYLON NOTCHED-WASHER 1/4"
808	3012530	PULSANTE	PUSH-BUTTON
809	3315381	RIPARTITORE	MANIFOLD
810	3-00198	TAPPO 1/8"	MALE PLUG 1/8"
811	3-00138	RACCORDO A L 1/8" F	L UNION 1/8" F
812	3-01714	RACCORDO A L 1/8" 8-6 RAPIDO ORIENTABILE	L-QUICK REVOLVING UNION 1/8" 8-6
813	4-401751	SUPPORTO RIPARTITORE	MANIFOLD SUPPORT
814	3014074	TARGA A	DECAL, A
815	4-402141	TUBO POLIURETANO D. 8-5,5 L=1100	POLYURETHAN HOSE D. 8-5,5 L=1100
816	4-401750	PORTA OGGETTI	TOOL STORAGE
817	5-400587	PORTA OGGETTI COMPLETO	COMPLETE TOOL STORAGE
818	2-02047	VITE TE M 8X20	HEXAGON HEAD CAP SCREW M 8X20
819	4-403554	PALO SUPPORTO CASSETTA	TOOL STORAGE POST



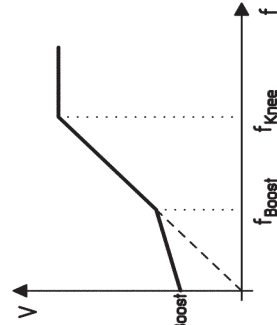
# SCHEMA ELETTRICO

# WIRE DIAGRAM



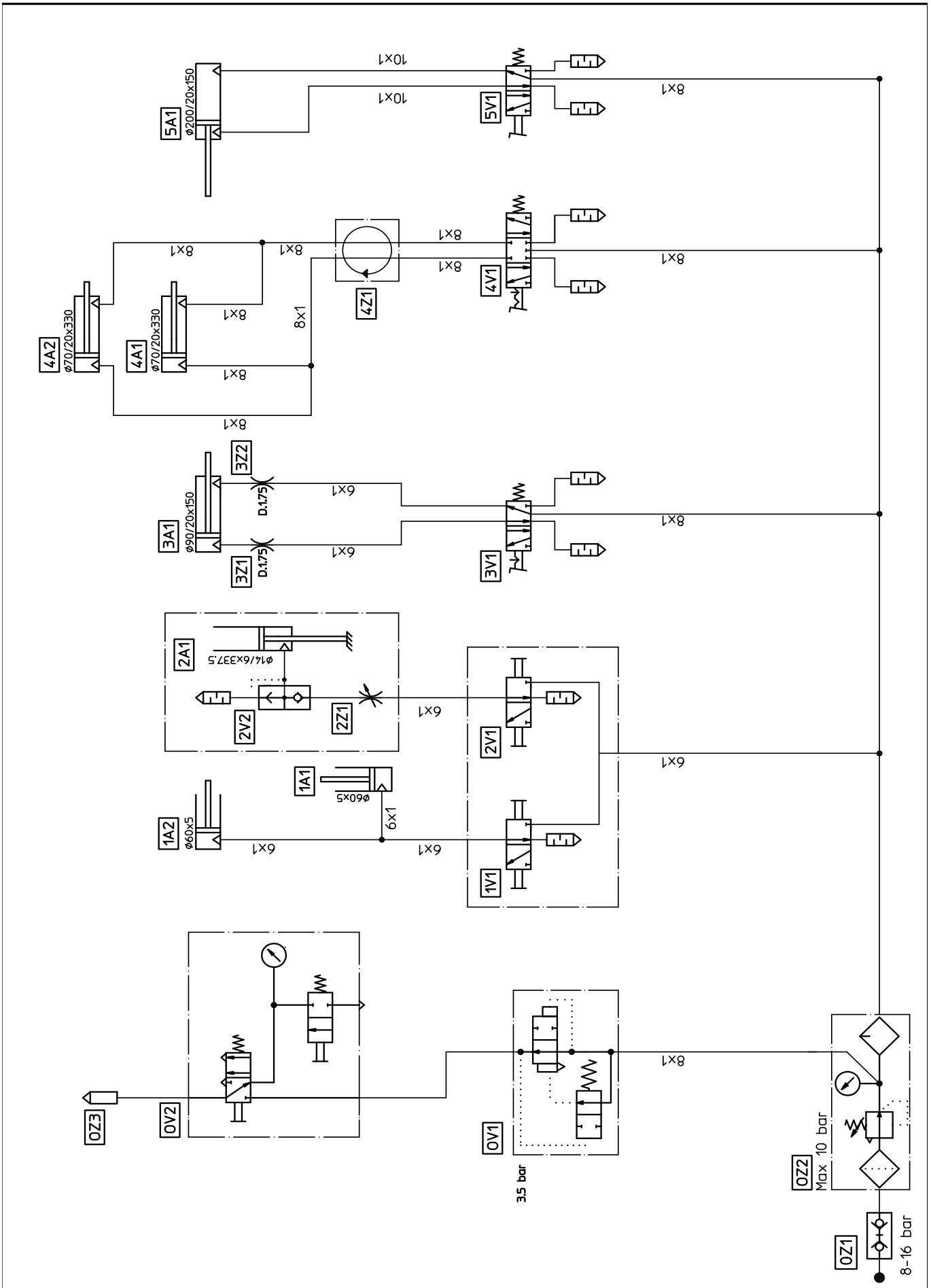
S1: slow speed microswitch 3-01451  
 S2: high speed microswitch 3-01451  
 S3: reverse speed microswitch 3-01451

SUPPLY VOLTAGE	Input Voltage 1 x 220 ~ 240V AC Input Frequency 48...62 Hz
DIGITAL INPUT	3 isolated digital input
ADMITTED DC VOLTAGE	Voltage between com (4) and Input (1,2,3) 24V DC, 10mA Overvoltage (on DC bus) ca. 400V DC Undervoltage (on DC bus) ca. 185V DC
OVERTEMPERATURE FAULT	Max temperature T MAX ca. 75°C (temperature of the power module) Fault reset possible with T < ca. 60°C
OUTPUT CURRENT	I OUT max. 14A RMS (non continuous use, I OUT > 6.5A RMS for max t = 60s every 240s)
OVERCURRENT HANDLING	I OUT > 10A RMS B output frequency reduction to f min (*)
FAULT RESET	Done by the 'STOP' of the inverter, it's not necessary to switch off the unit. Overtemperature fault reset possible with T < 75°C switching off the unit for t > dt 60 s.
RAMP	Deceleration = max. 260Hz/s (regulated by the value of the DC bus) Acceleration = 160Hz/s
FIXED FREQUENCY	Minimum frequency f min = 60Hz (*) Low speed = 74Hz High speed = 168Hz Boost 15%
CHARACTERISTIC V/f	Frequency f Boost = 60Hz Frequency f Knee = 100Hz



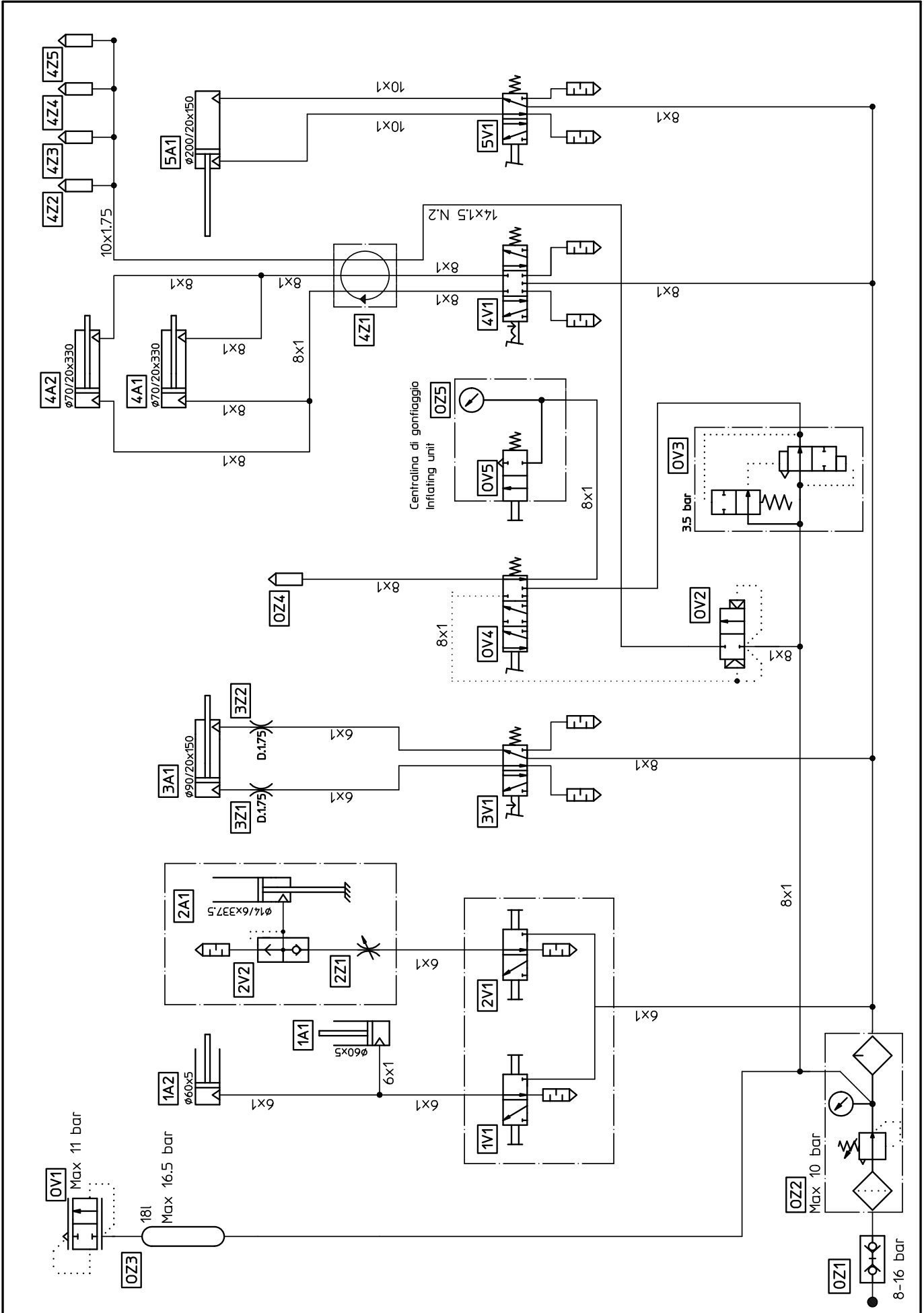
# SCHEMA PNEUMATICO

# PNEUMATIC DIAGRAM



Valvola gonfiaggio rapido	<b>0V1</b>	<i>Quick inflating valve</i>
Pistoletta gonfiaggio	<b>0V2</b>	<i>Tyre inflating gun-&amp;-gauge</i>
Innesto rapido maschio	<b>0Z1</b>	<i>Quick union</i>
Gruppo filtro-regolatore + lubrificatore	<b>0Z2</b>	<i>Water separator and pressure regulator + lubricator</i>
Testina di gonfiaggio	<b>0Z3</b>	<i>Inflating head</i>
Cilindro ø 60	<b>1A1 - 1A2</b>	<i>Cylinder ø 60</i>
Maniglia comando - pulsante bloccaggio	<b>1V1</b>	<i>Control handle - locking push-button</i>
Cilindro ø 14	<b>2A1</b>	<i>Cylinder ø 14</i>
Maniglia comando - pulsante salita/discesa	<b>2V1</b>	<i>Control handle - up/down push-button</i>
Valvola scarico rapido	<b>2V2</b>	<i>Quick release valve</i>
Strozzatore regolabile	<b>2Z1</b>	<i>Adjustable narrowing piece</i>
Cilindro ø 90	<b>3A1</b>	<i>Cylinder ø 90</i>
Valvola braccio automatico	<b>3V1</b>	<i>Automatic arm valve</i>
Strozzatore ø 1,75	<b>3Z1 - 3Z2</b>	<i>Narrowing piece ø 1,75</i>
Cilindro autocentrante	<b>4A1 - 4A2</b>	<i>Self-centering chuck cylinder</i>
Valvola autocentrante	<b>4V1</b>	<i>Self-centering chuck valve</i>
Raccordo girevole	<b>4Z1</b>	<i>Rotating union</i>
Cilindro stallonatore	<b>5A1</b>	<i>Bead breaker cylinder</i>
Valvola stallonatore	<b>5V1</b>	<i>Bead breaker valve</i>

# VERSIONE GP - GP VERSION



Valvola di sicurezza 1/4"	<b>0V1</b>	<i>Safety valve 1/4"</i>
Valvola di intallatura	<b>0V2</b>	<i>Bead seating valve</i>
Valvola gonfiaggio rapido	<b>0V3</b>	<i>Quick inflating valve</i>
Valvola comando GP	<b>0V4</b>	<i>GP control valve</i>
Pulsante	<b>0V5</b>	<i>Push-button</i>
Innesto rapido maschio	<b>0Z1</b>	<i>Quick union</i>
Gruppo filtro-regolatore + lubrificatore	<b>0Z2</b>	<i>Water separator and pressure regulator + lubricator</i>
Serbatoio	<b>0Z3</b>	<i>Air tank</i>
Testina di gonfiaggio	<b>0Z4</b>	<i>Inflating head</i>
Manometro	<b>0Z5</b>	<i>Pressure gauge</i>
Cilindro ø 60	<b>1A1 - 1A2</b>	<i>Cylinder ø 60</i>
Maniglia comando - pulsante bloccaggio	<b>1V1</b>	<i>Control handle - locking push-button</i>
Cilindro ø 14	<b>2A1</b>	<i>Cylinder ø 14</i>
Maniglia comando - pulsante salita/discesa	<b>2V1</b>	<i>Control handle - up/down push-button</i>
Valvola scarico rapido	<b>2V2</b>	<i>Quick release valve</i>
Strozzatore regolabile	<b>2Z1</b>	<i>Adjustable narrowing piece</i>
Cilindro ø 90	<b>3A1</b>	<i>Cylinder ø 90</i>
Valvola braccio automatico	<b>3V1</b>	<i>Automatic arm valve</i>
Strozzatore ø 1,75	<b>3Z1 - 3Z2</b>	<i>Narrowing piece ø 1,75</i>
Cilindro autocentrante	<b>4A1 - 4A2</b>	<i>Self-centering chuck cylinder</i>
Valvola autocentrante	<b>4V1</b>	<i>Self-centering chuck valve</i>
Raccordo girevole	<b>4Z1</b>	<i>Rotating union</i>
Scorrevole	<b>4Z2 - 4Z3 - 4Z4 - 4Z5</b>	<i>Slide</i>
Cilindro stallonatore	<b>5A1</b>	<i>Bead breaker cylinder</i>
Valvola stallonatore	<b>5V1</b>	<i>Bead breaker valve</i>



**SICE**  
AUTOMOTIVE EQUIPMENT

**SOCIETA' ITALIANA COSTRUZIONI ELETTROMECCANICHE S.I.C.E. - S.p.A.**  
**Via Modena, 34 - 42015 CORREGGIO (R.E.) - ITALY**

Tel. (0522) 693640  
Fax (0522) 642882  
E-mail: [sice@sice.it](mailto:sice@sice.it)

Export dept.:  
Internet: <http://www.sice.it>

Tel. (059) 348611  
Fax (059) 359358  
E-mail: [sice@planeta.it](mailto:sice@planeta.it)