

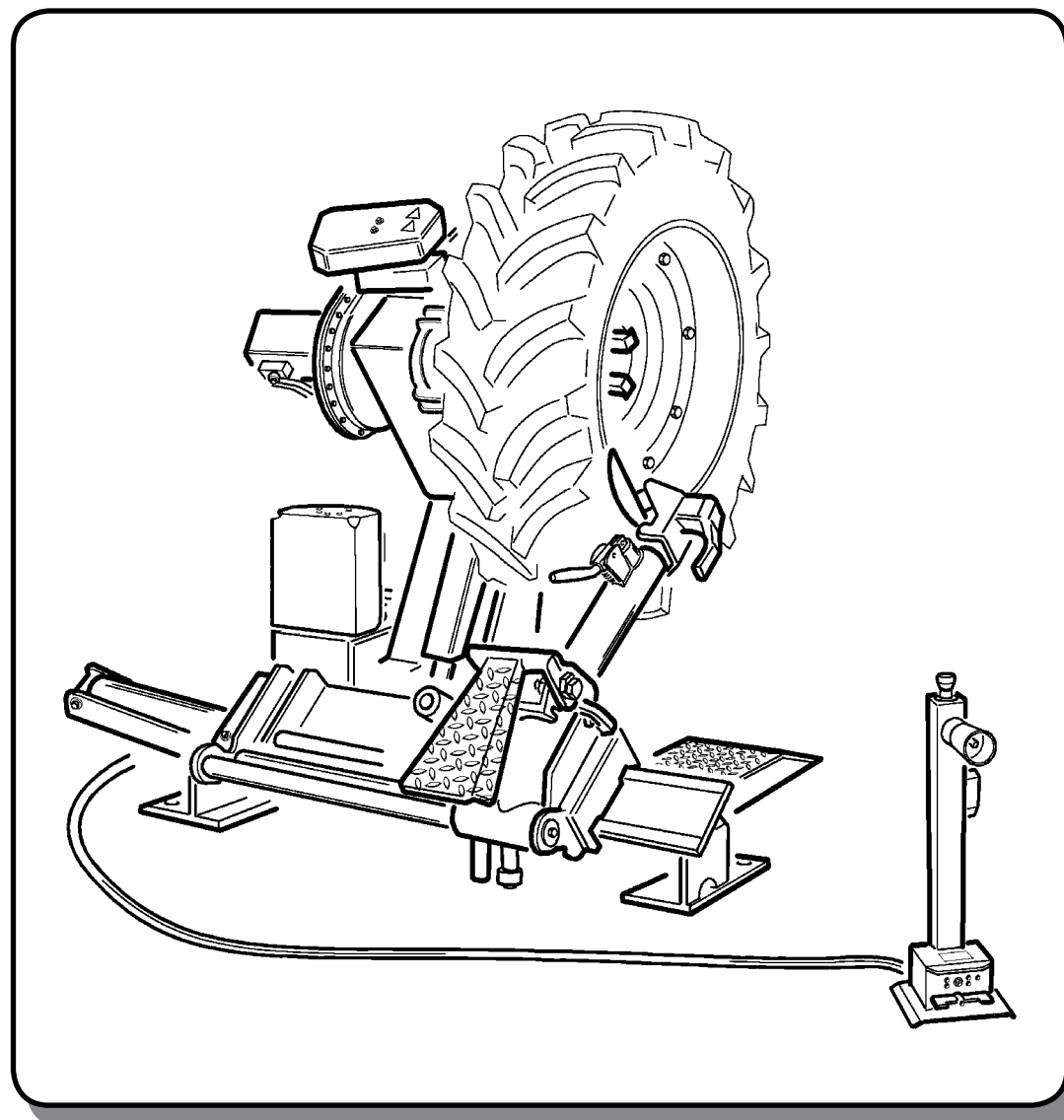


CATALOGO RICAMBI ORIGINALI - ORIGINAL SPARE PARTS

CATALOGUE PIECES D'ORIGINE - ORIGINALSATZTEILE

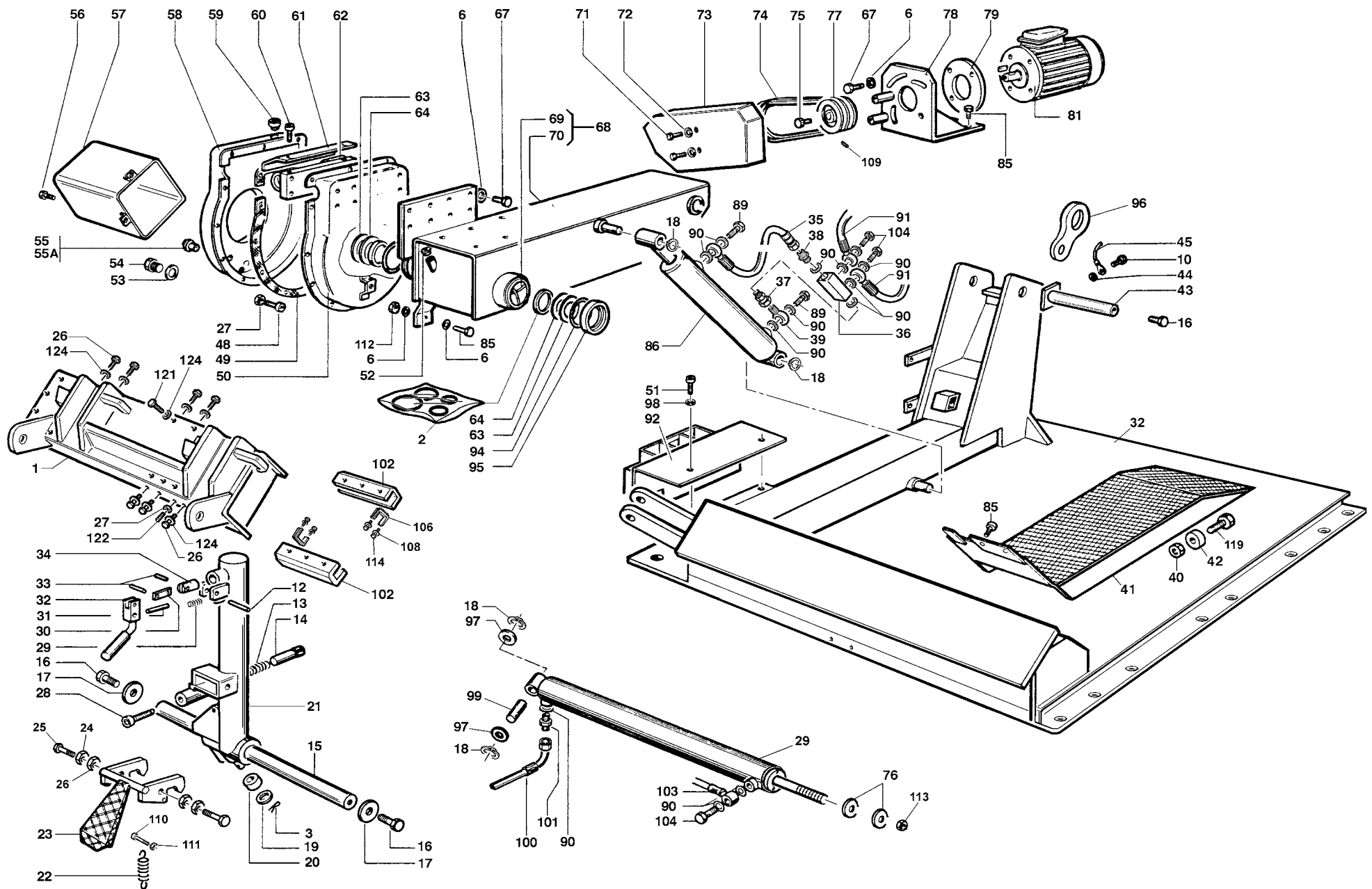
Ed. 04/2013

S 551 XL



TELAIO - CHÂSSIS - FRAME - RAHMEN

TAV. 1.0



TELAIO - CHÂSSIS - FRAME - RAHMEN

TAV. 1.0

1	6118970	CARRELLO COMPL.S551 XL	SADDLE	CHARIOT	SCHLITTEN
2	2019219	KIT GUARNIZIONI MANDRINO	CHUCK SEALINGS KIT	JEU DE JOINT MANDRIN	SPINDELDICHTUNGSSATZ
3	4399192	COPIGLIA D. 4X36 ZNT 1336	SPLIT PIN D.4x36	GOUPILLE D.4x36	SPLINT D.4x36
5	4399953	VITE TE 10x16 8.8 ZNT 5739	SCREW M10x16 8.8	VIS 10x16	SCHRAUBE 10x16
6	4399378	RONDELLA 10 (10,5x21x2)ZNT6592	WASHER D.10 (10,5x21x2)	RONDELLE D.10 (10,5x21x2)	UNTERLEGSSCHEIBE 10 (10,5x21x2)
7	6601074	LAMIERA CORTA CIL.LUNGO- NERA	CYLINDER	COVER	TOLEBLECH
8	4299307	RASCHIATORE PER CARRELLO	SCRAPER	SEGMENT RACLEUR	KRATZSCHEIBE
9	3001062	PIASTRINA PER RASCHIATORE	PLATE	PLAQUE POUR RACLEUR	OELABSTREIFERPLATTE
10	4398273	VITE AUTOF. TCEI 5,5x19 ZNT	SELF-TAPPING SCREW 5,5x19	VIS AUTOTARADEUSE 5,5x19	BLECHSCHRAUBE 5,5x19
11	4299252	TERMINALE PER CARRELLO	CARRIAGE TERMINAL UNIT	EXTREMITE" CHARIOT	SCHLITTENENDSTUECK
12	4399322	SPINA ELASTICA PES. D.8x32 8748	ELASTIC PIN D.8x32	CHEVILLE ELASTIQUE D.8x32	FEDERSTIFT D.8X32
13	3001038	MOLLA ESPULSIONE BRACCIO	SPRING	RESSORT	FEDER
14	4399228	VITE TE 10x25 8.8 ZNT 5739	SCREW 10x25	VIS 10x25	SCHRAUBE 10x25
15	3018909	ASTA PER BRACCIO	ARM ROD	TIGE BRAS	ARMSTANGE
16	4399302	VITE TE 14x30 8.8 ZNT 5739	SCREW 14x30 8.8	VIS 14x30	SCHRAUBE 14x30
17	3001067	RONDELLA FERMO ASTA E PERNO	WASHER	RONDELLE	BEILAGSSCHEIBE
18	4395720	ANELLO SEEGER E D.24 7435	SEEGER RING D.24	BAGUE SEEGER D.24	SEEGER RING D.24
19	4399813	RONDELLA 20 (21x37x3) ZNT 6592	WASHER 20 (21x37x3)	RONDELLE 20 (21x37x3)	BEILAGSSCHEIBE 20 (21x37x3)
20	3001039	RULLO FERMO BRACCIO	ROLLER	GALET	ROLLE
21	6618162	BRACCIO PORTAUT. S.551 -N- -NERO	TOOL ARM	BRAS PORTE-OUTIL	WERKZEUGARM
22	3000114	MOLLA BRACCIO STALLONATORE	ARM SPRING	RESSORT BRAS DECOLLEUR	ARMFEDER
23	2118167	PEDALE CON DOPPIO GANCIO -BRUNITO	DOUBLE HOOK PEDAL	PEDALE AVEC DOUBLE CROCHET	DOPPELHAKENPEDAL
24	3018950	ECCENTRICO CRICCHETTO CORTO	SHORT JACK ECCENTRIC	EXCENTRIQUE CLIQUET	SPERRKLINKE EXZENTER
25	4397334	VITE TE 18x65 8.8 ZNT 5737	SCREW 18x65	VIS 18x65	CHRAUBE 18x65
26	4398725	DADO AUTOBL.MA18 ALTO DIN 982	SELF-LOCKING NUT M18	ECROU DE VERROUILLAGE M18	SELBSTSICHERNDE MUTTER M18
27	4399967	DADO M10 6S BASSO ZNT 5589	NUT M10	ECROU M10	MUTTER M10
28	4296877	CATENA PORTACAVI 560/A TIPO 60 R.50	CHAIN	CHAINE	KETTE
29	6618883	CILINDRO TRASL.CARR.UT.-NERO	LONG CYLINDER	VERIN DE TRANSLATION CHARIOT	SCHLITTENVERSCHIEBUNGSZYLINDER
30	3001028	BIELLA CHIAVISTELLO-ZINC. B.	CONNECTING ROD	BIELLE	PLEUELSTANGE
31	4399321	SPINA ELASTICA D.10x20 6874	ELASTIC PIN D.10x20	CHEVILLE ELASTIQUE D.10x20	FEDERSTIFT D.10X20
32	6118942	TELAIO BASAMENTO	FRAME	CADRE D'EMBASE	GRUNDPLATTE
33	4399323	SPINA ELASTICA D.6x18 6874	ELASTIC PIN D.6x18	CHEVILLE ELASTIQUE D.6x18	FEDERSTIFT D.6X18
34	3001029	CHIAVISTELLO - ZNT B.	BOLT	VERROU	KLINKE
35	3011381	TUBO 1/4" L=320	HYDR. HOSE 1/4" L=320	TUYAU 1/4" L=320	SCHLAUCH 1/4" L=320
36	4196137	VALV.IDR.BILANCIAMENTO DOPPIO EFF.	HYDRAULIC STOP VALVE	SOUPAPE DE BLOCAGE	ABSPERRVENTIL
37	4197164	GIUNZ. ORIENT.M.F.60001 1/4"	ROTATING UNION M/F 1/4"	RACCORD PIVOTANT M/F 1/4"	DREHANSCHLUSS M/F 1/4"
38	4199257	NIPPLO IDR. 1/4"-h.7mm	NIPPLE MM.1/4" H=7,5 mm.	NIPPLE 1/4" - h. 7 mm.	ANSCHLUSS 1/4" - H.7 mm.

TELAIO - CHÂSSIS - FRAME - RAHMEN

TAV. 1.0

39	4197297	RACCORDO OCCHIO 1/4"-1/4" BSP	UNION 1/4" - 1/4" BSP	RACCORD 1/4"	ANSCHLUSS 1/4"
40	4399295	DADO M16 6S BASSO ZNT 5589	NUT M16	ECROU M16	MUTTER M16
41	6618880	PEDANA COMPLETA NERA	RAMP	EMBASE COMPLET	KOMPLETTE GRUNDPLATTE
42	4299251	RULLO PER PEDANA	ROLLER	GALET	ROLLE
43	2100991	PERNO BRACCIO AUTOC.	ARM PIN	AXE BRAS	ARMSTIFT
44	4399288	ROND. DEN.ES."A" 6,4x11x0,7 ZNT	TOOTHED WASHER 6,4x11x0,7	RONDELLE DENTEE 6,4x11x0,7	ZAHNSCHEIBE 6,4x11x0,7
45	2001290	CAVO PRESA TERRA CENTRALINA	CABLE	CABLE DE TERRE	MASSEKABEL
48	4393749	VITE FLANG. ZIGR. TCEI M 6x20	KNURLED SCREW TCEI M 6x20 ZNT	VIS MOLETEE` TCEI M 6x20 ZNT	RAENDELSCHRAUBE TCEI M 6x20 ZNT
49	3001051	GUARNIZIONE PER RIDUTTORE	GASKET	JOINT POUR REDUCTEUR	DICHTUNG
50	6100995	CARTER POST.RIDUTT.- BLU B.	COVER	CARTER ARRIERE	HINTERGESTELL
51	4399305	VITE TE 8x12 8.8 ZNT 5739	SCREW 8x12	VIS 8x12	SCHRAUBE 8x12
52	4299066	SOTTOTAPPO D. 11 - ROSSO	UNDERCAP D.11,5	SOUS-BOUCHON D.11	UNTERE VERSCHLUSSKAPPE D.11
53	4198598	ROND. RAME RR 3/8" (17x23x1,5)	COPPER WASHER 3/8" 17x23x1,5	RONDELLE EN CUIVRE 3/8" 17x23x1,5	KUPFERUNTERLEGSSCHEIBE 3/8" 17x23x1,5
54	4196747	TAPPO 3/8"M IDR.	CAP 3/8"	BOUCHON 3/8"	PFROPFEN 3/8"
55	4299255	SPIA LIVELLO OLIO	OIL LEVEL INDICATOR	TEMOIN	KONTROLLICHT
55A	4297160	SPIA LIVELLO OLIO 3/4" COMPL.	PILOT OIL 3/4" COMPL.	TEMOIN NIVEAU HUILE 3/4"	ÖLSTANDKONTROLLE 3/4"
56	4399298	VITE TCEI M 8x16 8.8 ZNT 5931	SCREW M 8x16 8.8	VIS 8x16	SCHRAUBE 8x16
57	6616557	COP. CIL.AUTOC. 558/9 VERT.-NERO	CYLINDER COVER	COUVERT. VERIN	ZYLINDERSCHUTZBLECH
58	6100998	CARTER ANT.RID.	COVER	CARTER AVANT	VORDERGESTELL
59	4199258	TAPPO OLIO	OIL PLUG	BOUCHON HUILE	OELVERSCHLUSSKAPPE
60	4399300	VITE TCEI M 6x12 8.8 ZNT 5931	SCREW 6x12	VIS 6x12	SCHRAUBE 6x12
61	3001010	SCHERMO PER OLIO	OIL SCREEN	ECRAN POUR HUILE	OELSCHIRM
62	2130550	SUPPORTO VITE SENZA FINE COMPLETO	WORM SUPPORT	SUPPORT VIS SANS FIN	SCHNECKESTUEZTE
63	3001056	DISTANZIALE D.81 X 105 X 0,5	SPACER 81x105x0,5	ENTRETOISE	ABSTANDSSTUECK D.81X105X0,5
64	3001057	DISTANZIALE D.81 X 105 X 1	SPACER 81x105x1	ENRETOISE	ABSTANDSSTUECK D.81X105X1
67	4399786	VITE TE 10x30 8.8 ZNT 5739	SCREW 10x30	VIS 10x30	SCHRAUBE 10x30
68	2033502	GR. BRACCIO AUTOC. + BOCCOLA	CHUCK ARM	GR. BRAS CENTREUR + DOUILLE	SELBSTZENTRIERARM + BUCHSE
69	3001041	BRONZINA ALBERO MANDRINO	BUSHING	COUSSINET	BRONZEBUECHSE
70	6118084	BRACCIO PER AUTOCENTRANTE	ARM	BRAS POUR TABLEAU CENTREUR	ZENTRIERTISCHARM
71	4399305	VITE TE 8x12 8.8 ZNT 5739	SCREW M8x12 8.8	VIS 8x12	SCHRAUBE 8x12
72	4399829	RONDELLA 8 (8,4x16x1,5)ZNT6592	WASHER 8 (8,4x16x1,5)	RONDELLE 8 (8,4X16X1,5)	UNTERLEGSSCHEIBE 8 (8,4x16x1,5)
73	3000943	CARTER PROT.CINGHIA 551 *NERO	COVER	CARTER POUR COURROIE	RIEMENKASTEN
74	4294151	CINGHIA TRAP. DENTATA XPZ 750	ROFLEX BELT	COURROIE DENTEE XPZ 750	ZAHNRIEMEN XPZ 750
75	4398827	VITE STEI 8x12 P.P. 5923	SCREW 8x12	VIS 8x12	SCHRAUBE 8x12
76	4395033	RONDELLA STAFFAGGIO D.19x40x6	WASHER D.19x40x6	RONDELLE D.19x40x6	BEILAGSSCHEIBE D.19x40x6
77	3000975	PULEGGIA MOTRICE	MOTOR PULLEY	POULIE MOTEUR	MOTORSCHIEBE
79	4299330	DISTANZIALE CENTR. MOTORE	SPACER	ENTRETOISE	DISTANZSTUECK
81	4599333	MOT.3PH 400V.50HZ HP1,7-2,3 B5	MOTEUR 3 PH 380V 50HZ	MOTOR 3PH 400V. 50HZ	MOTOR 3PH 400V. 50HZ

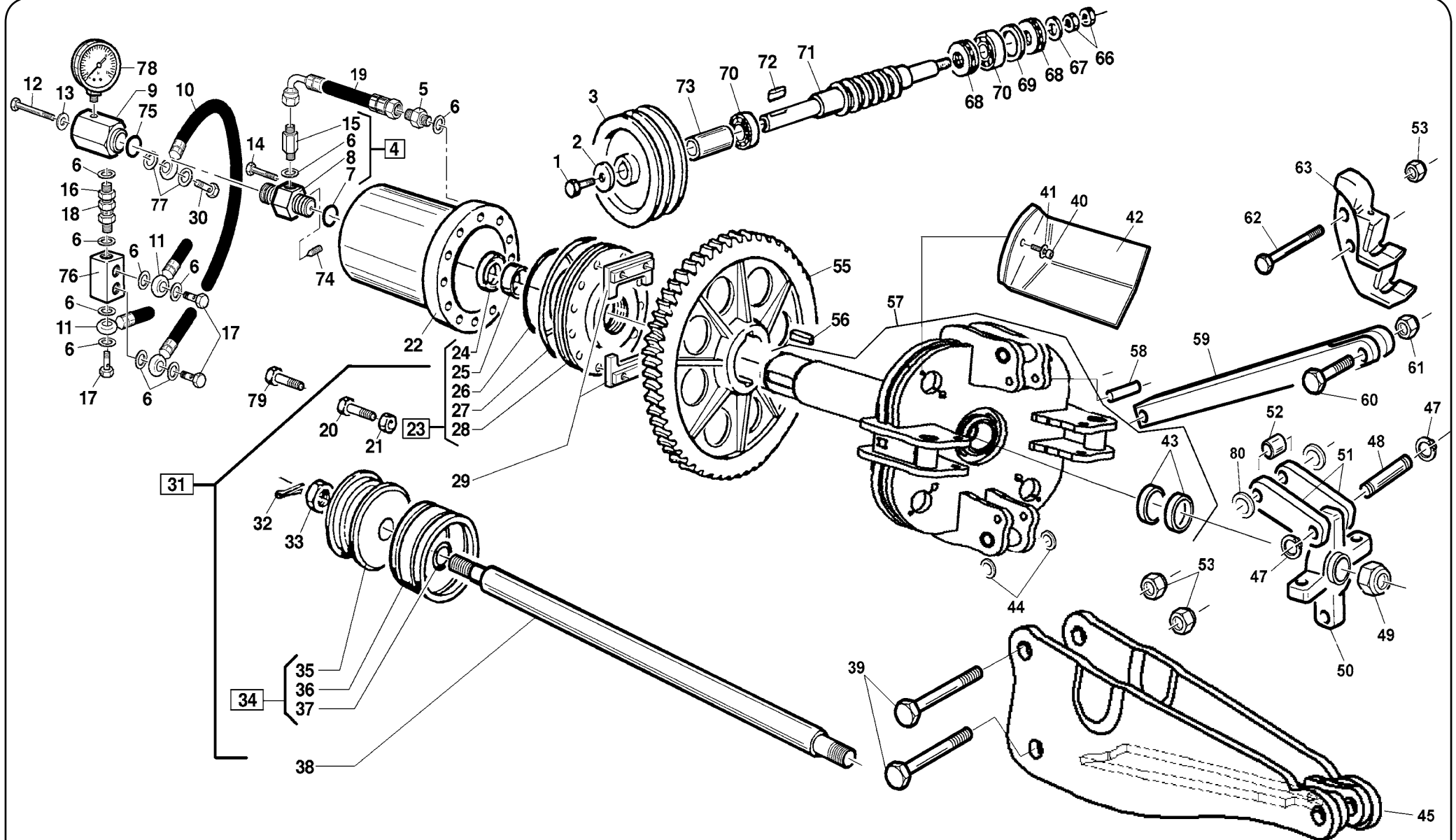
TELAIO - CHÂSSIS - FRAME - RAHMEN

TAV. 1.0

82	4599490	MOT.3PH 220V.50HZ KW1,3-1,9 B5	MOTEUR 3 PH 220V 50HZ	MOTOR 3PH 220V 50HZ	MOTOR 3PH 220V 50HZ
83	4599331	MOT.1PH 220V.50Hz HP1,7-2,3 B5	MOTEUR 1PH 50 HZ	MOTOR 1PH 50HZ	MOTOR 1PH 220V 50HZ
84	4599332	MOT.3PH 400V.60HZ HP1,7-2,3 B5	MOTEUR 3 PH 400V 60 HZ	MOTOR 3PH 400V. 60HZ	MOTOR 3PH 400V 60HZ
85	4399228	VITE TE 10x25 8.8 ZNT 5739	SCREW 10x25	VIS 10x25	SCHRAUBE 10x25
86	6601005	CILINDRO CORTO - NERO	CYLINDRE COURT	SHORT CYLINDER	ZYLINDER
89	4194793	BULLONE RACC.1/4" STROZZ. 1 X 1mm	1/4" UNION BOLT	BOULON RACCORD 1/4"	1/4" ANSCHLUSSBOLZEN
90	4399256	ROND. RAME 1/4" (13x19x1,5)	WASHER 1/4" D.13x19x1,5	COPPER WASHER 1/4" D.13x19x1,5	KUPFERSCHEIBE 1/4" D.13x19x1,5
91	3010139	TUBO X CILINDRO CORTO	SHORT CYLINDER PIPE	TUYAU VERIN	ZYLINDERROHR
92	6618953	SUPPORTO DOTAZIONE XL XLA	SUPPORT	SUPPORT DOTATION - NOIR	ZUBEHÖRTEILTRÄGER - SCHWARZ
94	3001055	FELTRO PER ANELLO	FELT	FEUTRE POUR ANNEAU	RINGFILZ
95	3001738	ANELLO X FELTRO AUTOCENTR. TN	RING FOR FELT	ANNEAU	RING
96	3032214	PIASTRINA ANTIROTAZIONE - ZNT	ANTIROTATION PLATE	PLAQUE ANTI-ROTATION	DREHFESTPLÄTTCHEN
97	4399289	RONDELLA 24 (25x44x4) ZNT 6592	WASHER 25x44x4	RONDELLE 24 (25x44x4)	UNTERLEGSSCHEIBE 24 (25X44X4)
98	4399947	RONDELLA 8 (9x32x4) ZNT 6593	WASHER 8 (9x32x4)	RONDELLE 8 (9x32x4)	BEILAGSSCHEIBE 8 (9X32X4)
99	3001003	PERNO FISS.CILINDRO LUNGO	PIN	AXE	STIFT
100	3001072	TUBO CORTO CILINDRO LUNGO	SHORT HOSE	TUYAU VERIN	ZYLINDERSCHLAUCH
101	3004989	NIPPLO IDR. 1/4"-h.18mm	NIPPLE MM 1/4" - H.18mm.	NIPPLE MM 1/4" - H.18 mm.	NIPPEL MM 1/4" - H.18 mm.
102	3018643	PATTINO X CARRELLO	CARRIAGE SLIDE	PATIN	GLEITSCHUH
103	3001065	TUBO LUNGO CILINDRO LUNGO	LONG HOSE	TUYAU VERIN	ZYLINDERSCHLAUCH
104	4199249	BULLONE RACCORDO FORATO 1/4"	1/4" UNION NUT	BOULON RACCORD PERCE" 1/4"	LOCHVERSCHRAUBUNG 1/4"
105	6601278	CAMICIA CILINDRO LUNGO	CYLINDER LINER	CHEMISE VERIN	ZYLINDERMANTEL
106	3019036	RASCHIAPOLVERE 20X20	SCRAPER 20x20	SEGMENT RACLEUR 20x20	KRATZSCHEIBE 20x20
107	4394989	SPINA CIL.RETT. 6X16 6364A	CYLINDER PIN 6X16	EPINE CYLINDR. 6X16	ZYLINDERSTIFT 6X16
108	4398662	ROND.GROWER D.10 ZNT 1751	GROWER WASHER D.10	RONDELLE GROWER D.10	BEILAGSSCHEIBE GROWER D.10
109	4398827	VITE STEI 8x12 P.P. 5923	SCREW 8x12	VIS 8x12	SCHRAUBE 8x12
110	4399228	VITE TE 10x25 8.8 ZNT 5739	SCREW 10x25	VIS 10x25	SCHRAUBE 10x25
111	4399971	DADO AUTOBL.M10 BASSO.6S. 7474	SELF-LOCKING NUT M10	ECROU DE VERROUILLAGE M10	SELBSTSICHERNDE MUTTER M10
112	4399979	ANELLO SEEGER E D.30 7435	SEEGER RING D.30	BAGUE SEEGER D.30	SEEGER-RING D.30
113	4398725	DADO AUTOBL.MA18 ALTO DIN 982	SELF-LOCKING NUT M18	ECROU DE VERROUILLAGE M18	SELBSTSICHERNDE MUTTER M18
114	4397671	VITE AUTOF.TSIC 4,2x13	SELF-TAPPING SCREW 4,2x13	VIS AUTOTAR. TSIC 4,2x13	BLECHSCHRAUBE 4,2x13
115	3001030	LEVA CHIAVISTELLO - ZINCATA	LEVER	LEVIER	HEBEL
116	3001040	MOLLA RICHIAMO CHIAVISTELLO	SPRING	RESSORT	FEDER
117	4399192	COPIGLIA D. 4X36 ZNT 1336	SPLIT PIN D.4x36	GOUPILLE D.4x36	SPLINT D.4x36
119	4399945	VITE TE 16x100 8.8 PF	SCREW 16x100	VIS 16x100	SCHRAUBE 16x100
121	4393523	VITE TE 10x95 8.8 ZNT	SCREW 10x95	VIS 10x95	SCHRAUBE 10x95
122	4398826	VITE STEI 10x20 P.P. 5923	SCREW 10x20	VIS 10x20	SCHRAUBE 10x20
124	4395085	RONDELLA 10 (10,5x25x2)ZNT	WASHER 10 (10,5x25x2)	RONDELLE 10 (10,5x25x2)	BEILAGSSCHEIBE (10,5x25x2)

**AUTOCENTRANTE - CENTREUR -
SELF-CENTERING CHUCK - SELBSTZENTRIERENDER**

TAV. 2.1



AUTOCENTRANTE - CENTREUR - SELF-CENTERING CHUCK - SELBSTZENTRIERENDER

TAV. 2.1

Ref	Code	Descrizione	Description	Description	Beschreibung
1	4399953	VITE TE 10x16 8.8 5739	VIS M10x16 8.8	SCREW M10x16 8.8	SCHRAUBE M10x16 8.8
2	3001068	RONDELLA D.10,5X40X5	RONDELLE D.10,5x40x5	WASHER D.10,5x40x5	SCHEIBE D.10,5X40X5
3	3001052	PULEGGIA CONDOTTA	POULIE CONDUITE	DRIVEN PULLEY	ZUFUEHRUNGSROLLE
4	2001046	PERNO PER RACCORDO GIREVOLE	AXE POUR RACCORD PIVOTANT	PIN	STIFT
5	3001372	NIPPLES MM 1/4"- h.12mm	NIPPLE MM 1/4"	NIPPLE 1/4" H.12mm.	NIPPEL 1/4" - H.12mm.
6	4399256	ROND. RAME 1/4" (13x19x1,5)	RONDELLE 1/4" D.13x19x1,5	WASHER 1/4" D.13x19x1,5	KUPFERSCHEIBE 1/4"
7	4299241	ANELLO OR 4093 D.23,40X3,53	BAGUE OR 4093 - D.23,40x3,53	O-RING 23,40x3,53	O-RING 4093 - D.23,40X3,53
8	2001241	PERNO RACCORDO GIREVOLE	AXE RACCORD PIVOTANT	PIN	STIFT
9	2016554	CORPO RACCORDO GIREVOLE	CORPS RACCORD PIVOTANT	ROTATING UNION	DREHANSCHLUSS
10	3009763	TUBO 1/4" L=400 RACC.GIR. 551	TUYAU 1/4" L=400 RACC.PIVOTANT	HOSE 1/4" L=400 ROTATING UNION	SCHLAUCH DREHVERB.
11	3010138	TUBO CILINDRO AUTOCENTR. 551V	TUYAU VERIN MANDRIN	CHUCK CYLINDER HOSE	ZYLINDERSCHLAUCH
12	4399305	VITE TE 8x12 8.8 5739	VIS M8x12 - 8.8	SCREW M8x12 8.8	SCHRAUBE 8x12 8.8
13	4399947	RONDELLA 8 (9x32x4) ZNT 6593	RONDELLE 8 (9x32x4) UNI 6593	WASHER 8 (9x32x4)	BEILAGSSCHEIBE 8 (9x32x4)
14	4399299	VITE TCEI M 6x30 8.8 5931	VIS M6x30 8.8	SCREW 6x30 8.8	SCHRAUBE 6x30 8.8
15	3004989	NIPPLO MM 1/4" -h.18 mm.	NIPPLE MM 1/4" - H.18 mm.	NIPPLE MM 1/4" H.18mm.	NIPPEL MM 1/4" - H.18 mm.
16	4199257	NIPPLO MM. 1/4"- h.7 mm.	NIPPLE MM. 1/4"	NIPPLE MM.1/4" H=7,5 mm.	NIPPEL 1/4" - H.7mm.
17	4199249	BULLONE RACCORDO FORATO 1/4"	BOULON	1/4" UNION NUT	VERSCHRAUBUNG 1/4"
18	4197164	RACCORDO GIREV. M/F 1/4"	RACCORD PIVOTANT M/F 1/4"	ROTATING UNION M/F 1/4"	DREHVERBINDUNG M/F 1/4"
19	3001063	TUBO PONTE CIL.AUTOCENTR. S551	TUYAU	HOSE	SCHLAUCH
20	4397145	VITE TE 10x70 8.8 P.F. 5737	VIS 10x70 8.8	SCREW 10x70 8.8	SCHRAUBE 10x70 8.8
21	4399969	DADO M10 6S ALTO ZNT 5587	ECROU M10	NUT M10	MUTTER M10
22	2100996	CILINDRO D. 140	CYLINDRE D.140	CYLINDER D.140	ZYLINDER D.140
23	2001048	FLANGIA PER CILINDRO D.140 551	BRIDE POUR CYLINDRE D.140	CYLINDER FLANGE D.140	FLANSCH
24	4299173	ANELLO TENUTA RS 4052	BAGUE D'ETANCHEITE'	GROMMET	DICHTUNGSRING
25	4299172	ANELLO GUIDA WRI 40	BAGUE DE GUIDAGE WRI 40	GUIDE RING	FUEHRUNGSRING
26	4299171	ANELLO OR 4525 D.132,94X3,53	BAGUE OR 4525 - D.132,94x3,53	O-RING 132,94x3,53	O-RING 4525 - D.132,94X3,53
27	4299170	ANELLO OR 6720 D.183,52X5,34	BAGUE OR 6720 - D.183,52x5,34	O-RING 183,52x5,34	O-RING 6720 - D.183,52X5,34
28	3008801	COPERCHIO GUIDA CILINDRO D.140	COUVERCLE GUIDAGE VERIN D.140	CYLINDER GUIDE COVER D.140	ZYLINDERFUEHRUNG
29	2108802	PIASTRA BLOCC. RUOTA ELIC. 551	PLAQUE BLOCAGE ROUE	WHEEL LOCKING PLATE	FIXIERSCHEIBE
30	4197232	BULLONE RACC. 1/4" TORNITO	BOULON RACC, 1/4"	1/4" UNION NUT	VERSCHRAUBUNG 1/4"
31	2001281	CILINDRO D.140 COMPL.	CYLINDRE D.140	CYLINDER D.140	ZYLINDER D.140
32	4398496	VITE STEI 5x5 P.CONICA	VIS 5X5	SCREW 5x5 - CONIC 5927	SCHRAUBE 5x5
33	4399294	DADO M27x2 6S BASSO ZNT 5589	ECROU M27x2	NUT M27x2	MUTTER M27X2 6S
34	2001045	PISTONE CON GUARNIZIONI 551	PISTON AVEC JOINTS	PISTON	KOLBEN MIT DICHTUNGEN

AUTOCENTRANTE - CENTREUR - SELF-CENTERING CHUCK - SELBSTZENTRIERENDER

TAV. 2.1

35	3001117	PISTONE D.140	PISTON D.140	PISTON D.140	KOLBEN D.140
36	4299313	ANELLO TENUTA PIST. DAS 140115	JOINT PISTON	GROMMET	DICHTUNGSRING
37	4299312	ANELLO OR 4112 D.28,17X3,53	BAGUE OR 4112 D.28,17x3,53	O-RING 28,17x3,53	O-RING 4112 - D.28,17X3,53
38	3001001	ASTA COMANDO MANDRINO	TIGE COMMANDE MANDRIN	CHUCK CONTROL SHAFT	KONTROLLSTANGE
39	3032343	VITE TE M18X1,5X110 Lp85	VIS 18X1,5X110	SCREW 18X1,5X110	SCHRAUBE 18X1,5X110
40	4398273	VITE AUTOF. TCEI 5,5x19	VIS AUTOTARADEUSE TCEI 5,5x19	SELF-TAPPING SCREW 5,5x19	BLECHSCHRAUBE 5,5x19
41	4399998	RONDELLA 6 (6,4x12x1,6)ZNT6592	RONDELLE 6 (6,4x12x1,6)	WASHER 6 (6,4x12x1,6)	SCHEIBE 6 (6,4x12x1,6)
42	3017581	PROTEZ. ABS MANDRINO 560 *NERO	PROTECT. ABS	ABS COVER	ABS SCHUTZDECKE
43	4299309	ANELLO RASCHIATORE PW40G	RACLETTE D.40X50X6	SCRAPER RING	OELABSTREIFRING
44	4399974	RASAMENTO ACCIAIO 20,5X28X0,3	ENTRETOISE 20,5x28x0,3	SHIM ADJUSTMENT 20,5x28x0,3	AUSGLEICHRING 20,5x28x0,3
45	2132491	BRACCIO MANDRINO -ZNT.	BRAS MANDRIN GAUCHE	LEFT CHUCK ARM	LINKER SPINDELARM
47	4399231	ANELLO SEEGER E D.18 7435	BAGUE SEEGER D.18	SEEGER RING D.18	SEEGER RING D.18
48	3000993	PERNO PER BIELLA AUTOCENTRANTE	GOUJON POUR BIELLE AUTOCENTR.	PIN	STIFT
49	4399293	DADO M33x2 6S BASSO 5589	ECROU M33x2	NUT M33x2	MUTTER M33X2 6S
50	3001050	CROCE PER AUTOCENTRANTE	CROIX POUR AUTOCENTREUR	TURNTABLE CROSS	KREUZ
51	3001044	BIELLA PER AUTOCENTRANTE	BIELLE POUR AUTOCENTREUR	CONNECTING ROD	PLEUELSTANGE
52	3000994	DISTANZIALE D.20X30X28-BRUNITO	ENTRETOISE D.20x30x28	SPACER D.20x30x28	ABSTANDSSTUECK D
53	4399316	DADO AUTOBL.M18x1,5 h=18 7474	ECROU BLOK M18x1,5 H.18	SELF-LOCKING NUT M18x1,5 H=18	SELBSTSICHERNDE MUTTER
55	3008800	RUOTA ELICOIDALE S.551 T.N.	ROUE HELICOIDALE S.551	WORM WHEEL	SCHNECKENRAD
56	4399218	LINGUETTA 20x12x60 (A) 6604	LANGUETTE 20x12x60	TAB 20x12x60	ZUNGE 20X12X60
57	2032813	MANDRINO COMPL. S.560	MANDRIN COMPLET	COMPL. CHUCK UNIT	KOMPL. SPINDEL
58	3033796	SPINA CIL.RETT. 12x65	GOUPILLE 12x65	SPRING PIN 12x65	ZYLINDERSTIFT 12x65
59	3000992	BARRA STABILIZZATRICE-ZINCATA	BARRE	BAR	STANGE
60	3000968	VITE TE M12X58 (4399314)	VIS TE M12x58	SCREW 12x58	SCHRAUBE 12x58
61	4399865	DADO AUTOBL.M12 BASSO.6S. 7474	ECROU A' BLOCAGE AUTOMAT. M12	SELF-LOCKING NUT M12	SELBSTSICHERNDE MUTTER
62	3000966	VITE TE M18X1,5X87(4399317)	VIS TE M18x1,5x87	SCREW 18x1,5x87	SCHRAUBE 18x1,5x87
63	3033828	GRIFFA SMTG CAMION GRANDE	SUPPORT DE MORS	CLAMP SUPPORT	KLAUENHALTER
66	4399181	DADO M16x1,5 6S BASSO ZNT	ECROU	NUT M16	MUTTER M16 6S
67	3001114	RONDELLA D. 16,2X38X7	RONDELLE D.16,2x38x7	WASHER D.16,2x38x7	SCHEIBE D.16,2X38X7
68	4299284	CUSCINETTO ASSIALE 2KL 51205 1E8	COUSSINET	BEARING	UNTERLAGE TAM 6205 2RS
69	3001115	DISTANZIALE CUSCINETTO	ENTRETOISE COUSSINET	SPACER	ABSTANDSSTUECK
70	4299285	CUSCINETTO TAM 6205 2RS - 1I9	COUSSINET	BEARING	UNTERLAGE TAM 6205 2RS

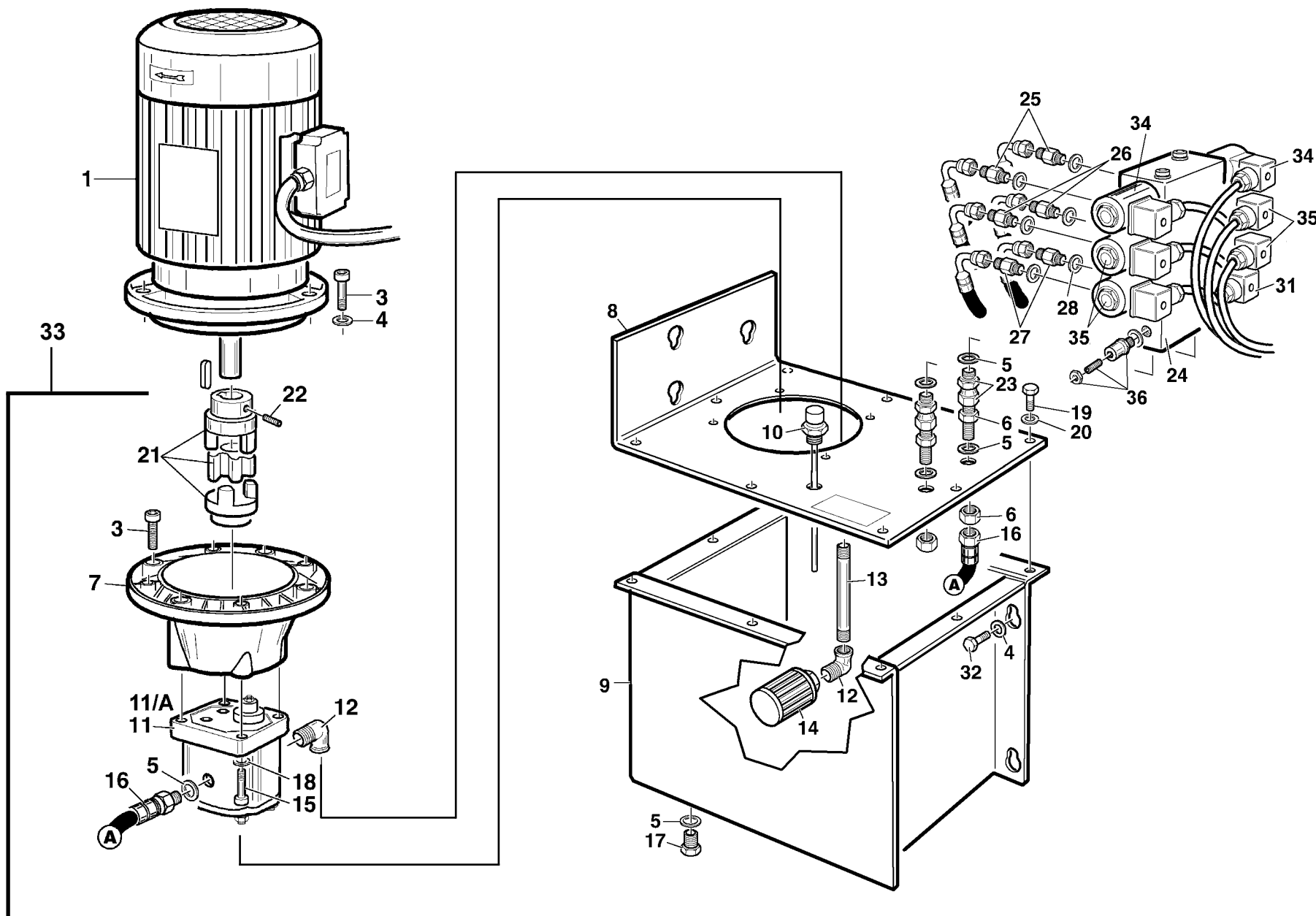
**AUTOCENTRANTE - CENTREUR -
SELF-CENTERING CHUCK - SELBSTZENTRIERENDER**

TAV. 2.1

71	3010861	VITE SENZA FINE M3,5	VIS SANS FIN M3,5	WORM SCREW M3,5	SCHNECKE M3,5
72	4399287	LINGUETTA 7x8x30 (A) 6604	LANGUETTE REF. 8680	TAB 7x8x30	ZUNGE 7X8X30
73	3000999	DISTANZIALE D.25,1X35X58 ZNT B	ENTRETOISE REF. 8678	SPACER D.25,1x35x58	ABSTANDSSTUECK
74	4397046	VITESTEI 10x10 P.CONICA 5927	VIS M10x10	SCREW M10x10	SCHRAUBE M10x10
75	4299167	ANELLO DRS-2028	BAGUE	RING	RING DRS-2028
76	4197238	VALV.IDR. DI BLOCCO VBPSL 14	VANNE HYDR. DE BLOCAGE	HYDRAULIC STOP VALVE	HYDR. SPERRVENTIL
77	4396341	ROND.BOND 1/4"(13,5x21x12)	RONDELLE BOND 1/4"	BOND WASHER 1/4"	KUPFERSCHEIBE 1/4"
78	4199146	MANOMETRO 1/4" 250 BAR	MANOMETRE 1/4" 250 BAR	PRESSURE GAUGE 1/4" 250 BAR	MANOMETER 1/4" 250 BAR
79	4396424	VITE TCEI M10x60 8.8 PF	VIS M10x60 8.8	SCREW M10x60 - 8.8	SCHRAUBE M10x60 - 8.8
80	4398289	RONDELLA 18 (19x34x3) ZNT	RONDELLE 18 (19x34x3)	WASHER 18 (19x34x3)	BEILAGSSCHEIBE 18 (19x34x3)

CENTRALINA IDRAULICA - UNITE' HYDRAULIQUE - HYDRAULIC
POWER UNIT - HYDRAULISCHE EINHEIT

TAV. 3.0

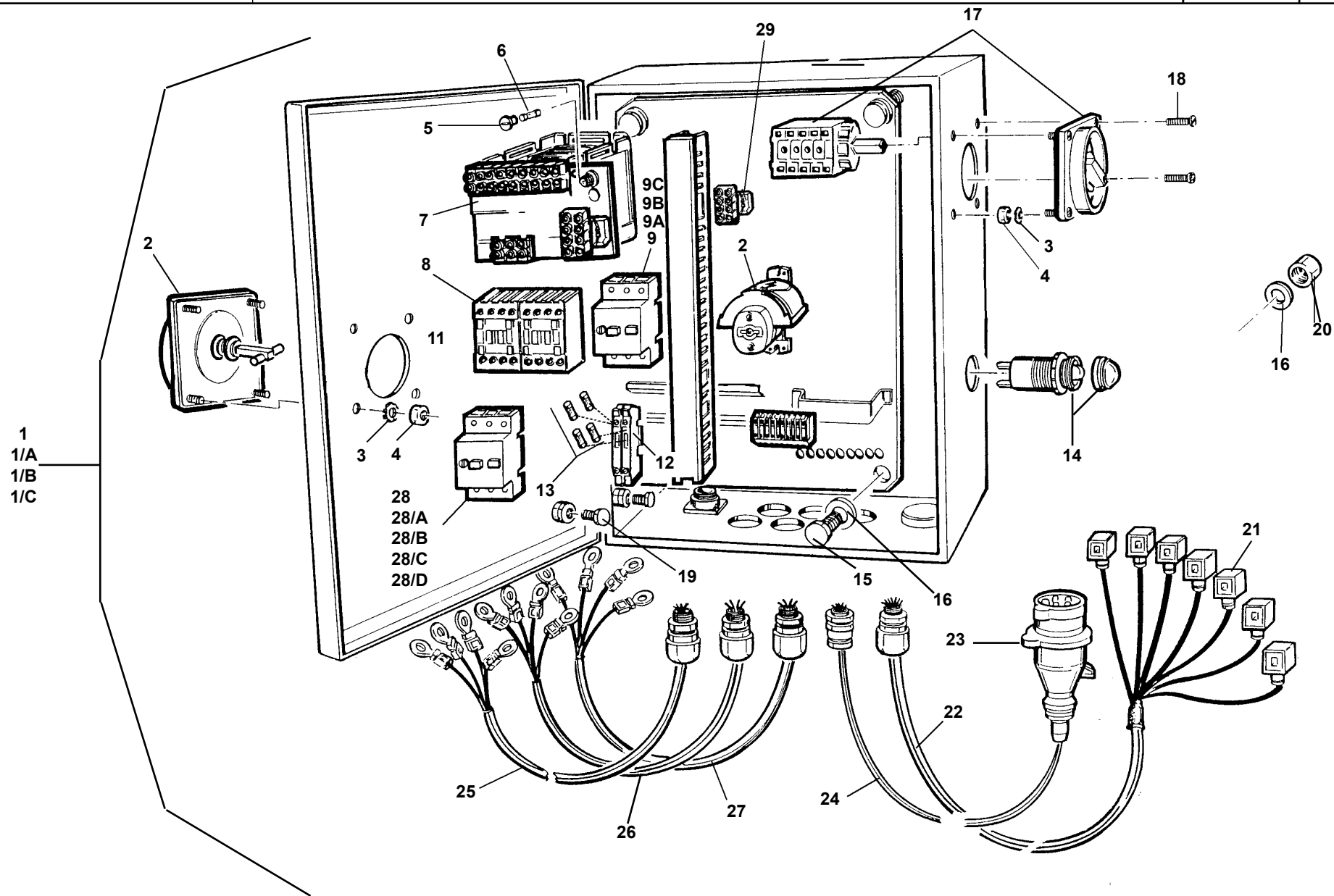


**CENTRALINA IDRAULICA - UNITE' HYDRAULIQUE - HYDRAULIC
POWER UNIT - HYDRAULISCHE EINHEIT**

TAV. 3.0

1	4594305	MOT.3PH 200-240/345-415V.50/60HZ B5	MOTOR 3PH 200-240/345-415V 50/60HZ	MOT.3PH 200-240/345-415V.50/60HZ B5	MOT.3PH 200-240/345-415V.50/60HZ B5
3	4399956	VITE TCEI M10x25 12.9	SCREW 10x25 12.9	VIS 10x25	SCHRAUBE 10x25
4	4399378	RONDELLA 10 (10,5x21x2)ZNT	WASHER D.10 (10,5x21x2)	RONDELLE D.10 (10,5x21x2)	UNTERLEGSSCHEIBE 10 (10,5x21x2)
5	4198598	ROND. RAME RR 3/8" (17x23x1,5)	COPPER WASHER 3/8" 17x23x1,5	RONDELLE EN CUIVRE 3/8" 17x23x1,5	KUPFERUNTERLEGSSCHEIBE 3/8" 17x23x1,5
6	4197600	PASSAPARETE DI CONG.3/8" BSP	UNION 3/8"	RACCORD 3/8"	VERBINDUNGSSTUECK 3/8"
7	4197872	LANTERNA GR.80 D.200 HL5L	FLANGE GR.80 D.200 HL5L	BRIDE GR.80 D.200 HL5L	FLANSCH GR.80 D.200 HL5L
8	6609758	COP.SERBAT.C.I.551 VERT.-NERO	TANK COVER	COUVERTURE RESERVOIR	TANKDECKEL
9	6609757	SERBATOIO C.I. 551 VERT.-NERO	TANK	RESERVOIR	TANK
10	3010652	TAPPO LIVELLO OLIO 1/2" L=260	OIL LEVEL PLUG	BOUCHON NIVEAU HUILE 1/2" L=260	OELSTANDVERSCHRAUBUNG 1/2" L=260
11	4193073	POMPA GR.1 5,8 cc/giro DX C.F3/8	PUMP GR.1 5,8 cc/giro	POMPE 5,8 cc/giro	PUMPE 5,8 cc/giro
11A	4197254	POMPA GR.1 4,2 cc/giro DX C.F3/8	PUMP GR.1 4,2 cc/giro	POMPE 4,2 cc/giro	PUMPE 4,2 cc/giro
12	4197240	CURVA 90° 3/8" M/F CORTA	UNION 90° MF 3/8"	RACCORD 90° M/F 3/8"	90° ANSCHLUSS M/F 3/8"
13	4197239	BARILOTTO OT Z 3/8"M L120 ZNT	UNION 3/8" F L100	ENTRETOISE 3/8"	ABSTANDSTUCK 3/8"
14	4197241	FILTRO OLIO	OIL FILTER	FILTRE HUILE	OELFILTER
15	4399299	VITE TCEI M 6x30 8.8 ZNT 5931	SCREW 6x30 8.8	VIS 6x30	SCHRAUBE 6x30
16	3009760	TUBO 3/8" C.I. VERT. L=340	HOSE 3/8" L=370	TUYAU 3/8" L=340	SCHLAUCH 3/8" L=340
17	4196747	TAPPO 3/8"M IDR.	CAP 3/8"	BOUCHON 3/8"	PFROPFEN 3/8"
18	4399998	RONDELLA 6 (6,4x12x1,6)ZNT6592	WASHER 6 (6,4x12x1,6)	RONDELLE 6 (6,4x12x1,6)	UNTERLEGSSCHEIBE 6 (6,4x12x1,6)
19	4399305	VITE TE 8x12 8.8 ZNT 5739	SCREW M8x12 8.8	VIS 8x12	SCHRAUBE 8x12
20	4399829	RONDELLA 8 (8,4x16x1,5)ZNT6592	WASHER 8 (8,4x16x1,5)	RONDELLE 8 (8,4x16x1,5)	UNTERLEGSSCHEIBE 8 (8,4x16x1,5)
21	4197873	GIUNTO ELASTICO HE41 D.24	FLEXIBLE COUPLING	JOINT ELASTIQUE D.24	FEDERKUPPLUNG D.24
22	4399121	VITE STEI 6x6 P.P. 5923	SCREW 6x6	VIS 6x6	SCHRAUBE 6x6
23	4197621	GIUNZ. ORIENT.M.F.60001 3/8"	O-RING 45' FF 3/8"	RACCORD 3/8"	ANSCHLUSS 3/8"
24	2012881	BASE MULTIPLA+ELETTROV	MULTIPLE BASE + SOLENOID VALVE	SOCLE MULTIPLE AVEC ELECTROVANNE	MEHRFACHSOCKEL MIT MAGNETVENTIL
25	3004989	NIPPLO IDR. 1/4"-h.18mm	NIPPLE MM 1/4" H.18mm.	NIPPLE MM 1/4" - H.18 mm.	NIPPEL MM 1/4" - H.18 mm.
26	3001372	NIPPLO IDR. 1/4"-h.12mm	NIPPLE 1/4" H.12mm.	NIPPLE MM 1/4"	ANSCHLUSS MM 1/4"-CH.H.12MM
27	4199257	NIPPLO IDR. 1/4"-h.7mm	NIPPLE MM.1/4" H=7,5 mm.	NIPPLE 1/4" - h. 7 mm.	ANSCHLUSS 1/4"- H.7 mm.
28	4399256	ROND. RAME 1/4" (13x19x1,5)	WASHER 1/4" D.13x19x1,5	RONDELLE EN CUIVRE 1/4" D.13x19x1,5	KUPFERSCHEIBE 1/4" D.13x19x1,5
31	4197106	ELETTROV.2V-7/8"SEMPLICE SCARICO	RELIEF SIMPLE SOLENOID VALVE	ELECTROVANNE	MAGNETVENTIL
32	4399953	VITE TE 10x16 8.8 ZNT 5739	SCREW M10x16 8.8	VIS 10x16	SCHRAUBE 10x16
33	2009727	GR.CENTRALINA IDR. VERT.	HYDRAULIC UNIT	UNITE DE COMMANDE	STEUERAGGREGAT
34	4196318	ELETTROV.4V-3P-MS-7/8"	SOLENOID VALVE	SOLENOID VALVE	MAGNETVENTIL
35	4196317	ELETTROV.4V-3P-CC-7/8"	SOLENOID VALVE	SOLENOID VALVE	MAGNETVENTIL
36	4195385	VALVOLA DI MAX. BASE MULTIPLA T	CLAPET	VALVE	VENTIL
37	4397680	RONDELLA 6 (6,6x18x3) ZNT 6593	WASHER 6 (6,6x18x3)	RONDELLE 6 (6,6x18x3)	BEILAGSSCHEIBE 6 (6,6x18x3)
38	4398723	VITE TE 6x12 8.8 ZNT 5739	SCREW 6x12	VIS 6x12	SCHRAUBE 6x12

QUADRO ELETTRICO - PANNEAU ELECTRIQUE -
ELECTRIC PANEL - ELEKTRISCHE TAFEL



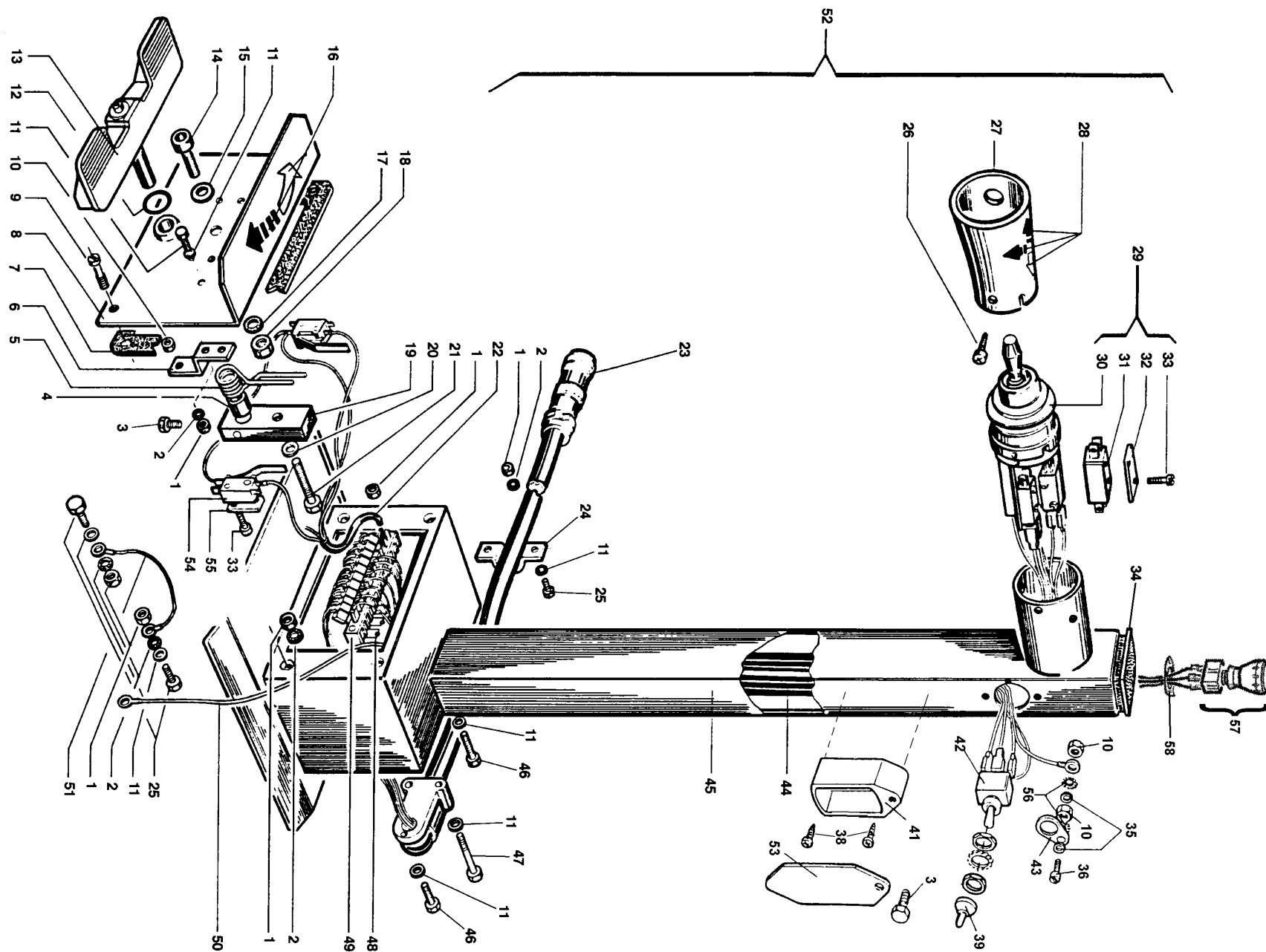
**QUADRO ELETTRICO - PANNEAU ELECTRIQUE -
ELECTRIC PANEL - ELEKTRISCHE TAFEL**

TAV. 4.0

Ref	Code	Descrizione	Description	Description	Beschreibung
1	2005408	CENTRAL.ELETTR. 400V 3PH 50Hz CE	UNITE' ELECTR. 3PH 50HZ CE	ELECTR. UNIT 3PH 50HZ CE	ELEKTR. EINHEIT 3PH 50HZ CE
1A	2008644	CENTRAL.ELETTR. 220V 3PH 60Hz CE	UNITE' ELECTR. 3PH 60HZ CE	ELECTR. UNIT 3PH 60HZ CE	ELEKTR. EINHEIT 3PH 60HZ CE
1B	2006119	CENTRAL.ELETTR. 1PH 50/60Hz CE	UNITE ELECTRIQUE 1PH 50/60HZ CE	ELECTRIC UNIT 1PH 50/60HZ CE	ELEKTROANLAGE 1PH 50/60HZ CE
1C	2013325	CENTRAL.ELETTR.1PH 110V.60Hz CE	UNITE ELECTRIQUE 1PH 110V.60HZ CE	ELECTRIC UNIT 1PH 110V.60HZ CE	ELEKTROANLAGE 1PH 110V.60HZ CE
2	4599153	INTERUTTORE CENTRALINA	INTERRUPTEUR	CONTROL UNIT SWITCH	SCHALTER
3	4399703	ROND. DEN.ES."A" 4,3x8x0,5	RONDELLE DENTEE 4,3x8x0,5	TOOTHED WASHER 4,3x8x0,5	ZAHNSCHEIBE 4,3X8X0,5
4	4399996	DADO M 4 6S ALTO ZNT 5587	ECROU M4 6S	NUT M4 6S	MUTTER M4 6S
5	4599154	PORTA FUSIBILE	PONT FUSIBLE	FUSE CAP	SCHMELZSICHERUNGSBRUECKE
6	4597984	FUSIBILE VETRO 1 A T 250V 5x20	FUSIBILE 1 A 5X20 T 250V	FUSE 1 A 5x20 T 250V	SCHMELZSICHERUNG 250V
7	4599158	TRASFORMATORE X S.551	TRANSFORMATEUR	TRANSFORMER	TRANSFORMATOR
8	4599148	TELERUTTORE	TELERUPTEUR	ELECTROMAGNETIC SWITCH	FERNSCHALTER
9	4597986	SALVAMOTORE S.551 4-6,3A	PROTEGE-MOTEUR S.551 4-6, 3A	MOTOR OVERLOAD CUTOUT 4-6,3A	MOTOR-UEBERLASTSCHALTER
9A	4597932	SALVAMOTORE S.551 10-16A LMS25	PROTEGE-MOTEUR S.551 10-16A	MOTOR OVERLOAD CUTOUT 10-16A	MOTOR-UEBERLASTSCHALTER
9B	4592912	SALVAMOTORE 6,3-10A	DISJONCTEUR 6,3-10A	OVERLOAD CUTOUT 6,3-10A	UEBERLASTSSCHALTER 6,3-10A
9C	4594102	SALVAMOTORE LMS25 16 - 20A	DISJONCTEUR 16 - 20A	OVERLOAD CUTOUT 16 - 20A	UEBERLASTSSCHALTER 16 - 20A
11	4598564	FUSIBILE CER. 16A 10X38 AM	FUSIBILE 16A	16A FUSE	SCHMELZSICHERUNG 10x38 16
12	4597985	PORTAFUSIBILE A CASS. 551	BOITE A FUSIBLES	FUSE-HOLDER	SICHERUNGSKOERPER
13	4597984	FUSIBILE 1 A 5X20 T 250V.	FUSIBILE 1 A 5X20 T 250V.	FUSE 1 A 5x20 T 250V.	SCHMELZSICHERUNG 5x20 1A
14	4599160	SPIA BIANCA COMPL.	LAMPE TEMOIN - BLANCHE	PILOT LAMP	KONTROLLEUCHE
15	4399305	VITE TE 8x12 8.8 5739	VIS M8x12 - 8.8	SCREW M8x12 8.8	SCHRAUBE 8x12 8.8
16	4399829	RONDELLA 8 (8,4x16x1,5)ZNT6592	RONDELLE 8 (8,4X16X1,5)	WASHER 8 (8,4x16x1,5)	SCHEIBE 8 (8,4x16x1,5)
17	4597897	COMMUTATORE DI POLARITA' S.551	COMMUTATEUR POLARITE' S.551	POLE CHANGE SWITCH	POLUMSCHALTER
18	4399092	VITE TSC 4x12 4.8 6110	VIS M4x12 8.8	SCREW 4x12 4.8	SCHRAUBE 4x12 4.8
19	4399299	VITE TCEI M 6x30 8.8 5931	VIS M6x30 8.8	SCREW 6x30 8.8	SCHRAUBE 6x30 8.8
20	4399976	DADO M 8 6S ZNT 5588	ECROU M8	NUT M8	MUTTER M8
21	4599166	CONNETTORE NORMALE - PG9	CONNECTEUR	CONNECTOR	VERBINDER
22	2001285	CABLAGGIO CAVI ELETTRICALE	CABLAGE SOUPAPES ELECTRIQUES	HARNESS	KABELVERBINDUNG
23	4598058	SPINA EL.3PH 16A CEE 5 POLI	GOUPILLE 3PH 16A	ELECTRICAL PLUG 3PH 16A	STECKER 3PH 16A 5-POLE
24	2000519	CAVO ALIMENTAZIONE TRIFASE	CABLE D'ALIMENTATION 3 PH	3 PHASE LEAD CABLE	DREIPHASIGER SPEISEKABEL
25	2001287	CABLAGGIO CAVI 2^VEL.AUTOCENTR	CABLAGE 2.ME VITESSE	HARNESS	KABELVERBINDUNG
26	2001286	CABLAGGIO CAVI 1^VEL.AUTOCENTR	CABLAGE 1.ERE VITESSE	HARNESS	KABELVERBINDUNG
27	2001284	CABLAGGIO C.MOTORE CENTRALINA	CABLAGE DE CONNECTION	HARNESS	KABELVERBINDUNG
28	4597986	SALVAMOTORE S.551 4-6,3A	DISJONCTEUR 4-6,3A	OVERLOAD CUTOUT 4-6,3A	UEBERLASTSCHALTER 4-6,3A
28/A	4597932	SALVAMOTORE S.551 10-16A LMS25	DISJONCTEUR 10-16A	OVERLOAD CUTOUT 10-16A	UEBERLASTSCHALTER 10-16A
28/B	4592912	SALVAMOTORE 6,3-10A	DISJONCTEUR 6,3-10A	OVERLOAD CUTOUT 6,3-10A	UEBERLASTSCHALTER 6,3-10A
28/C	4597932	SALVAMOTORE S.551 10-16A LMS25	DISJONCTEUR 10-16A	OVERLOAD CUTOUT 10-16A	UEBERLASTSCHALTER 10-16A
28/D	4592911	SALVAMOTORE 32-45A 140M-FBE-C45	DISJONCTEUR 32-45A	OVERLOAD CUTOUT 32-45A	UEBERLASTSCHALTER 32-45A
29	4596647	PONTE A DIODI	PONT A" DIODES	DIODE BRIDGE	DIODENBRUECKE

PEDALIERA - COMMANDE A PEDALE -
 PEDAL CONTROL - PEDALSTEUEREINHEIT

TAV. 5.0



**PEDALIERA - COMMANDE A PEDALE -
PEDAL CONTROL - PEDALSTEUEREINHEIT**

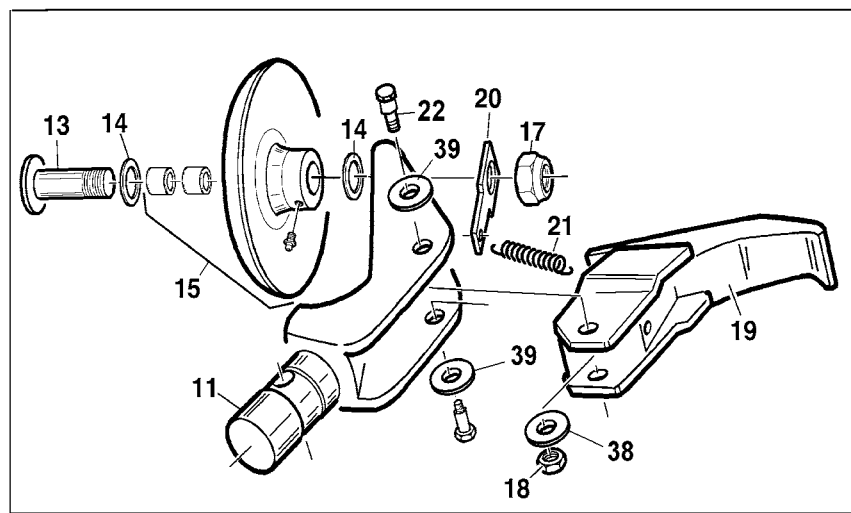
TAV. 5.0

Ref	Code	Descrizione	Description	Description	Beschreibung
1	4399996	DADO M 4 6S ALTO ZNT 5587	ECROU M4 6S	NUT M4 6S	MUTTER M4 6S
2	4399703	ROND. DEN.ES."A" 4,3x8x0,5	RONDELLE DENTEE 4,3x8x0,5	TOOTHED WASHER 4,3x8x0,5	ZAHNSCHEIBE 4,3X8X0,5
3	4399229	VITE TE 6x10 8.8 5739	VIS	SCREW 6x10 8.8	SCHRAUBE 6x10 8.8
4	3001135	DISTANZIALE PER PEDALE	ENTRETOISE POUR PEDALE	SPACER	ABSTANDSSTUECK
5	3007133	MOLLA COMANDO PEDALE	RESSORT COMMANDE PEDALE	PEDAL CONTROL SPRING	FEDER
6	3001143	SQUADRETTA PER MICROINTERRUTT.	PLAQUETTE POUR MICROINTERRUPT.	KEEP PLATE	KLEMMPLATTE
7	3001138	GUARNIZIONE PER SCATOLA	GARNITURE POUR BOITE	GASKET	DICHTUNG
8	6600977	COPERCHIO SCATOLA-NERO	COUVERCLE BOITE	BOX CAP	DECKEL
9	4399222	VITE IMPERITURA M 4x14	VIS M4x14	SCREW M4x14	SCHNECKE M4x14
10	4399127	DADO M 3 6S ZNT 5588	ECROU M3	NUT M3 6S	MUTTER M 3 6S
11	4399903	RONDELLA 4 (4,5x12x1,5)ZNT6593	RONDELLE 4 (4,5x12x1,5)	WASHER 4 (4,5x12x1,5)	SCHEIBE 4 (4,5x12x1,5)
12	4299223	ANELLO OR 3056 D.13,94X2,62	BAGUE OR 3056 - D.13,94x2,62	O-RING 13,94x2,62	O-RING 3056 - D.13,94X2,62
13	2401100	PEDALE A BILANCIERE C.	PEDALE A' BALANCIER	PEDAL	PEDAL
14	4399954	VITE TCEI M 8x20 8.8 5931	VIS M8x20 8.8	SCREW M8x20 - 8.8	SCHRAUBE M8x20 -8.8-
15	4399829	RONDELLA 8 (8,4x16x1,5)ZNT6592	RONDELLE 8 (8,4X16X1,5)	WASHER 8 (8,4x16x1,5)	SCHEIBE 8 (8,4x16x1,5)
16	3000961	DECALCOMANIA FRECCHE ROTATORIE	DECALCOMANIE	STICKER	ABZIEHBILD
17	4399122	ROND. DEN.ES."A" 8,4x15x0,8	RONDELLE D.8	TOOTHED WASHER 8,4x15x0,8	ZAHNSCHEIBE 8,4x15x0,8
18	4399976	DADO M 8 6S ZNT 5588	ECROU M8	NUT M8	MUTTER M8
19	3001131	LEVA COMANDO MICRO	LEVIER COMMANDE MICRO	MICROSWITCH CONTROL LEVER	STEUERUNGSHEBEL
20	4399998	RONDELLA 6 (6,4x12x1,6)ZNT6592	RONDELLE 6 (6,4x12x1,6)	WASHER 6 (6,4x12x1,6)	SCHEIBE 6 (6,4x12x1,6)
21	4399090	VITE TE 6x30 8.8 5739	VIS M6x30 - 8.8	SCREW M6x30 8.8	SCHRAUBE 6x30 8.8
22	2001301	CABLAGGIO CAVI COLLEG.MICRO	CABLAGE CONNEXION MICRO	HARNESS	KABELVERBINDUNG
23	2001298	CABLAGGIO CAVI PEDAL.S.551/552	CABLAGE PEDALIER	HARNESS	KABELVERBINDUNG
24	3001069	CAVALLOTTO D.19 ART. 5084	CRAMPILLON D.19	U-BOLT D.19	STUETZE
25	4399905	VITE TE 4x12 8.8 5739	VIS M4x12 - 8.8	SCREW M4x12 8.8	SCHRAUBE M4x12 8.8
26	4399995	VITE AUTOF. TSIC 3,5X13 6955	VIS AUTOTARADEUSE	SELF-TAPPING SCREW 3,5x13	BLECHSCHRAUBE 3,5x13
27	3001139	PROTEZIONE MANIPOLATORE	PROTECTION MANIPULATEUR	COVER	MANIPULATORSCHUTZ
28	3000962	DECALCOMANIA SIMBOLI	ETIQUETTE	STICKER	ABZIEHBILD
29	2001142	MANIPOLATORE	MANIPULATEUR	MANIPULATOR	MANIPULATOR
30	3001137	CUFFIA PER MANIPOLATORE	PROTECTION POUR MANIPULATEUR	GUARD	SCHUTZHAUBE
31	4599129	MICROINTERRUTTORE MANIPOLATORE	MICROINTERRUPTEUR MANIPULATEUR	MICROSWITCH	MIKROSCHALTER
32	4599128	PIASTRINA FISS.MICROINTERRUTT.	PLAQUE FIXAGE MICROINTERRUPT.	PLATE	KLEMMPLATTE
33	4399123	VITE TC 3x20 6107	VIS M3x20	SCREW 3x20	SCHRAUBE 3x20
34	3006761	TAPPO TERMINALE PEDALIERA	PROTECTION PEDALIER	PEDAL UNIT END COVER	ENDVERSCHLUSS

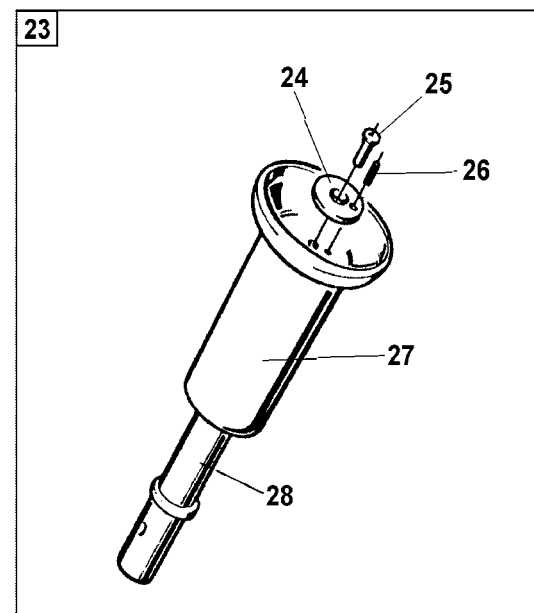
**PEDALIERA - COMMANDE A PEDALE -
PEDAL CONTROL - PEDALSTEUEREINHEIT**

TAV. 5.0

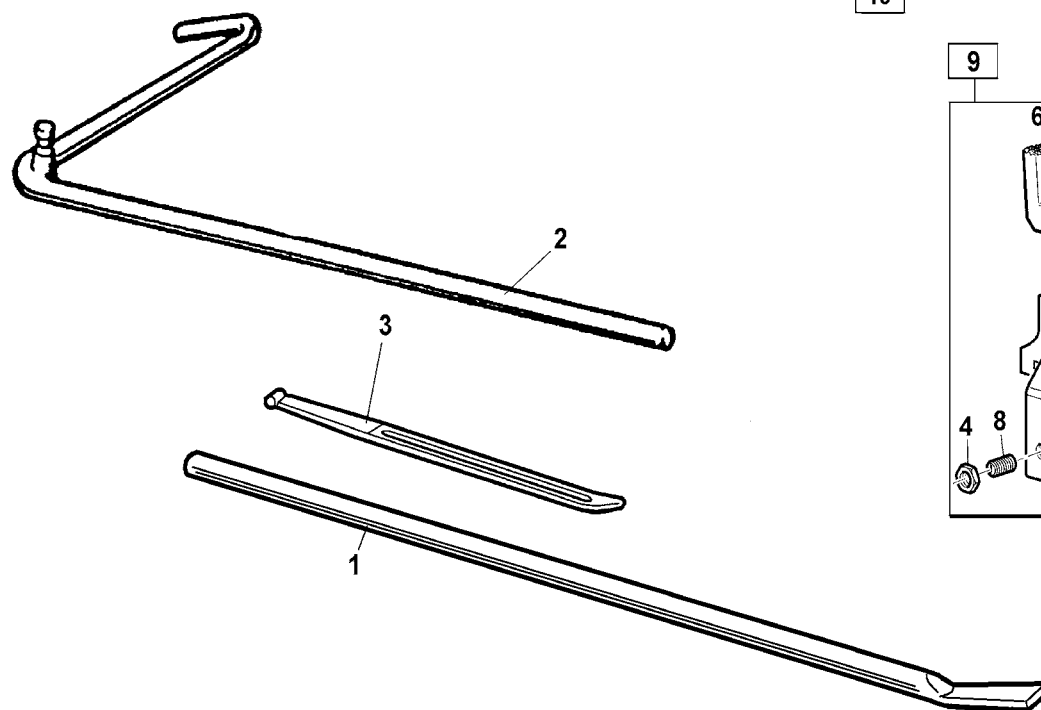
35	4399126	RONDELLA 3 (3,2x7x0,5)ZNT 6592	RONDELLE D.3	WASHER 3,2x7x0,5	SCHEIBE 3 (3,2x7x0,5)
36	4399044	VITE TCEI 3x12 12.9 5931	VIS TCEI 3X12	SCREW 3x12	SCHRAUBE 3x12 12.19
37	3000964	DECALCOMANIA APERTURA MANDRINO	ETIQUETTE	STICKER	ABZIEHBILD
38	4399091	VITE AUTOF. TCI 3,5x13 6951	VIS AUTOTARADEUSE 3,5x13	SELF-TAPPING SCREW 3,5x13	BLECHSCHRAUBE 3,5x13
39	4599125	PROTEZIONE LEVETTA COMMUTATORE	PROTECTION LEVIER COMMUTATEUR	COVER	HEBELSCHUTZ
40	3000965	DECALCOMANIA CHIUSURA MANDRINO	ETIQUETTE	STICKER	ABZIEHBILD
41	3006791	SUPPORTO PLASTICA X INTERRUT.	SUPPORT EN PLASTIQUE	SWITCH PLASTIC SUPPORT	UNTERLAGE
42	4599221	COMMUTATORE A LEVETTA	COMMUTATEUR A' LEVIER	LEVER SWITCH	HEBELUMSCHALTER
43	3005928	PIASTRINA X CAVO TERRA	PLAQUETTE POUR CABLE TERRE	GROUND CABLE PLATE	ERDKABELPLAETTCHEN
44	2001297	CABLAGGIO CAVI COMANDI MANUALI	CABLAGE COMMANDES A' MAIN	HARNESS	KABELVERBINDUNG
45	6606762	BASAMENTO PEDALIERA TN - NERA	LOGEMENT POUR PEDALIER	PEDAL UNIT BASE	PEDALEINHEITGRUNDLAGE
46	4399124	VITE TE 4x16 8.8 ZNT 5739	VIS M4x16 8.8	SCREW M4x16 8.8	SCHRAUBE 4x16 8.8
47	4399860	VITE TE 4x40 8.8 P.F. 5737	VIS M4x40 - 8.8	SCREW M4x40 - 8.8	SCHRAUBE M4x40 - 8.8
48	4599157	DIODO A VALANGA	DIODE	DIODE	DIODE
49	4599220	MORSETTIERA MAMUTH OK 1333 NR	BOITE A' BORNES	TERMINAL BOARD	KLEMMKASTEN
50	2001299	CAVO LUNGO PRESA TERRA PEDAL.	CABLE DE TERRE	CABLE	MASSEKABEL
51	2001300	CAVO CORTO PRESA TERRA PEDAL.	CABLE DE TERRE	CABLE	MASSEKABEL
52	2005409	PEDALIERA COMANDO CE - NERA	PEDALES DE DIR.COMANDE CE NOIR	PEDAL CONTROL UNIT	PEDALEINHEIT
53	3005718	COP.X PROTEZ. INTERRUTTORE	PROTECTION INTERRUPTEUR	SWITCH COVER	SCHALTERSCHUTZ
54	4599219	MICROINTERRUTTORE PEDALIERA	MICROINTERRUPTEUR PEDALIER	MICROSWITCH	MIKROSCHALTER
55	4599128	PIASTRINA FISS.MICROINTERRUTT.	PLAQUE FIXAGE MICROINTERRUPT.	PLATE	KLEMMPLATTE
56	4399045	ROND. DEN.ES.IN. 3,2x12x0,5	RONDELLE 3,2x12x0,5	TOOTHED WASHER 3,2x12x0,5	ZAHNSCHEIBE 3,2x12x0,5
57	2018297	GR.FUNGO DI EMERGENZA	EMERGENCY STOP BUTTON	BOUTON ARRET D'URGENCE	NOTFALLSPERRKNOPF
58	3018179	DECALCO FUNGO EMERGENZA	EMERGENCY STOP BUTTON STICKER	AUTOCOLLANT BOUTON ARRET D'URGENCE	NOTSPERRKNOPF-KLEBER



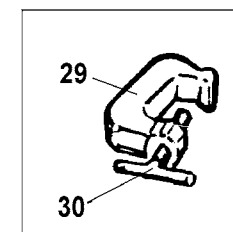
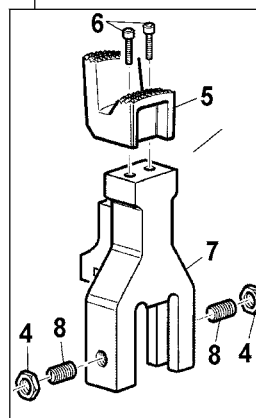
10



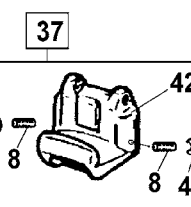
23



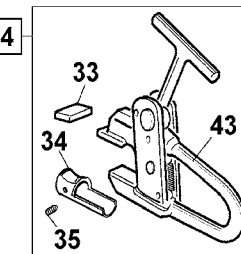
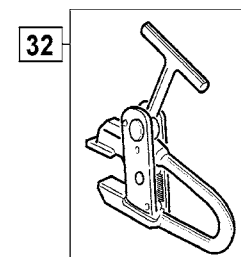
9



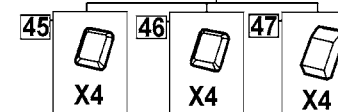
31



37



44



ACCESSORI - ACCESSOIRES - ACCESSORIES - ZUBEHÖR

TAV. 7.0

1	6601002	LEVA ALZATALLONI SMTG CAMION	LONG BEAD LIFTING LEVER	LEVIER DECOLLE-TALONS	WULSTABDRUECKHEBEL
2	9299269	141/90 LEVA GUIDA TALLONI	141/90 BEAD GUIDE LEVER	141/90 LEVIER GUIDE TALLONS	141/90 WULSTFUSSFUEHRUNGSHEBEL
3	3001061	LEVA PER CERCHIETTI	SHORT TYRE LEVER	LEVIER	HEBEL
4	4399967	DADO M10 6S BASSO ZNT 5589	CLAMP	ECROU M10	MUTTER M10
5	3001313	GRIFFA CON FERMO	CLAMP	MORS + BUTEE	KLAUE + ANSCHLAG
6	4399089	VITE TE 12x40 8.8 ZNT 5739	SCREW	VIS 12x40	SCHRAUBE 12X40
7	2134159	PROLUNGA PER GRIFFA COMPL.	EXTENSION		
8	4399088	VITE STEI 10x20 A SFERA	SCREW	VIS 10x20	SCHRAUBE 10x20
9	2001316	PROLUNGA AUTOCENTRANTE COMPL.	EXTENSION	RALLONGE	VERLAENGERUNG
10	2010853	GR. UTENSILE DOPPIO GRANDE	DOUBLE HEAD TOOL GR.	OUTIL DOUBLE	DOPPELWERKZEUG
11	2110832	MONOSTAFFA GRANDE - BRUN.	SUPPORT	SUPPORT	STUETZE
13	3010831	PERNO DISCO UT. DOPPIO-BRUNITO	PIN	AXE	STIFT
14	4396915	ANELLO COMPENSAZ. 41x52Ex0,5 (3)	RING 41x52Ex0,5 (3)	JOINT 41x52Ex0,5 (3)	RING 41x52Ex0,5 (3)
15	2019101	GR. DISCO STALLONATORE S551-S560	BEAD BREAKING DISK	GR. DISQUE DECOLLE-TALONS	WULSTABDRÜCKSCHEIBE
16	2033519	GR. DISTANZIALE SUPP. GRIFFA	CLAMP SUPPORT SPACER	ENTRETOISE POUR MORS	ABSTANDSSTÜCK FÜR KLAUE
17	4396916	DADO AUTOBL.M27x3 BASSO 7474	SELF-LOCKING NUT 27x3	ECROU DE VERROUILLAGE 27x3	SELBSTSICHERNDE MUTTER 27x3
18	4399295	DADO M16 6S BASSO ZNT 5589	NUT	ECROU M16	MUTTER M16
19	2110835	UTENSILE LUNGO - BRUN.	LONG TOOL	OUTIL DE MONTAGE	MONTIERWERKZEUG
20	3010841	GANCIO ATTACCO MOLLA- ZNT B.	SPRING CONNECTION	CROCHET ATTACHE RESSORT	FEDERKUPPLUNGSHAKEN
21	3001266	MOLLA D.18 L=72	SPRING	RESSORT D.18 L=72	FEDER D.18 L=72
22	3010837	PERNO FIL. PER UTENSILE-BRUNITO	PIN	AXE TARAUDE	GEWINDESTIFT
23	9299274	135/90 RULLO MONTAGG. TUBELESS	135/90 TUBELESS ROLLER	135/90 GALET POUR TUBELESS	135/90 TUBELESS MONTIERROLLE
24	3001307	RONDELLA RULLO PER TUBELESS	WASHER	RONDELLE	BEILAGSSCHEIBE
25	4399119	SPINA ELASTICA D.6x10 6873	SPRING PIN	CHEVILLE ELASTIQUE D.6x10	FEDERSTIFT D 6X 10
26	4399120	VITE TSPEI M10x20 10.9 ZNT 5933	SCREW TSPEI M10x20 10.9	VIS 10x20	SCHRAUBE 10X20
27	3001308	RULLO MONTAGGIO TUBELESS	ROLLER	GALET	ROLLE
28	3001309	STELO PER RULLO	SHAFT	TIGE	STEG
29	3001311	MORSETTO	CLAMP	BORNE	KLAMMER
30	3001310	VITE PER MORSETTO	SCREW	VIS	SCHRAUBE
31	2001312	MORSETTO CON VITE COMPL.	CLAMP WITH SCREW	ETAU AVEC VIS	KLEMME MIT SCHRAUBE
32	2019650	PINZA PER CERCHIONI CAMION	PLIERS	PINCE	GREIFER
33	3001304	TASSELLO SUPERIORE PINZA	BLOCK	GOUJON	DUEBEL
34	3001303	MANICOTTO INFERIORE PINZA	LOWER COUPLING	MANCHON	MUFFE
35	4399121	VITE STEI 6x6 P.P. 5923	SCREW 6x6	VIS 6x6	SCHRAUBE 6x6
37	2034827	GRIFFA PER CERCHI IN LEGA	CLAMP FOR ALLOY RIM		
38	4399974	RASAMENTO ACCIAIO 20,5X28X0,3	STEEL SHIM 20,5x28x0,5	CALE EN ACIER 20,5x28x0,5	STAHLZWISCHENLAGE 20,5x28x0,5
39	4399812	RASAMENTO ACCIAIO 25X35X0,3	STEEL SHIM 25x35x0,3	CALE EN ACIER 25x35x0,3	STAHLZWISCHENLAGE 25x35x0,3
40	7019167	DISTANZ.SUPP.GRIFFA COMPL	CLAMP SUPPORT SPACER	ENTRETOISE SUPPORT DE MORS	KLAUESTÜTZABSTANDSSTÜCK
41	4294076	POMOLO THP 25 M.6x15 01THP25C15	BALL GRIP THP 25 M.6x15	POMMEAU THP 25 M.6x15	KUGELGRIFF THP 25 M.6x15

ACCESSORI - ACCESSOIRES - ACCESSORIES - ZUBEHÖR

TAV. 7.0

42	3033675	GRIFFA CERCHIO IN LEGA - F.	CLAMP FOR ALLOY RIMS	MORS POUR JANTE EN ALU	KLAUE FÜR ALU-FELGE
43	2009782	PINZA BASE PER CERCHI IN LEGA	PLIER	PINCE	ZANGE
44	9299271	138/90 PINZA X CERCHI IN LEGA	138/90 PLIERS FOR ALLOY RIMS	138/90 PINCE POUR JANTES EN ALLAGE	138/90 GREIFZANGE f. ALUFELGEN LEGIERUNGREIFEN
45	9213747	138/90 PINZA X CERCHI IN LEGA	KIT OF CLAMP PINS H=6 (4 PCS.)	138/90 PINCE POUR JANTES EN ALLAGE	138/90 GREIFZANGE f. ALUFELGEN LEGIERUNGREIFEN
46	9213748	SERIE 4 TASSELLI X GRIFFA H=10	KIT OF CLAMP PINS H=10 (4 PCS.)	JEU D'INSERTS POUR MORS H=10 (4 PCS.)	KLAUENSTIFTSATZ H=10 (4 STK.)
47	9213749	SERIE 4 TASSELLI X GRIFFA H=13	KIT OF CLAMP PINS H=13 (4 PCS.)	JEU D'INSERTS POUR MORS H=13 (4 PCS.)	KLAUENSTIFTSATZ H=13 (4 STK.)



GIULIANO INDUSTRIAL

Via Guerrieri, 6 - 42015 Correggio (Reggio Emilia) - ITALY
Tel. +39. 522. 731.111 - Fax. +39. 522. 633.109