



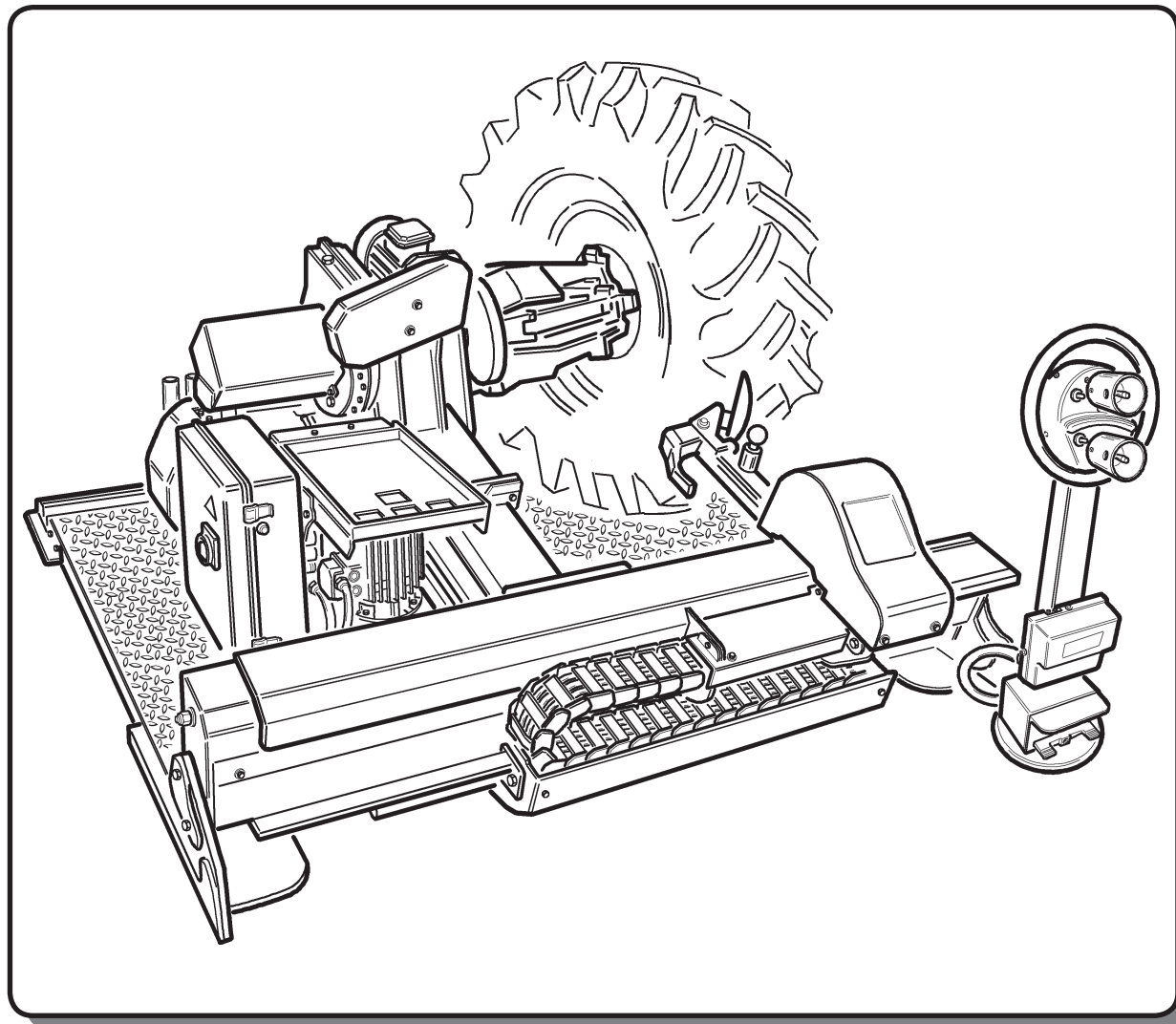
CATALOGO RICAMBI ORIGINALI - ORIGINAL SPARE PARTS

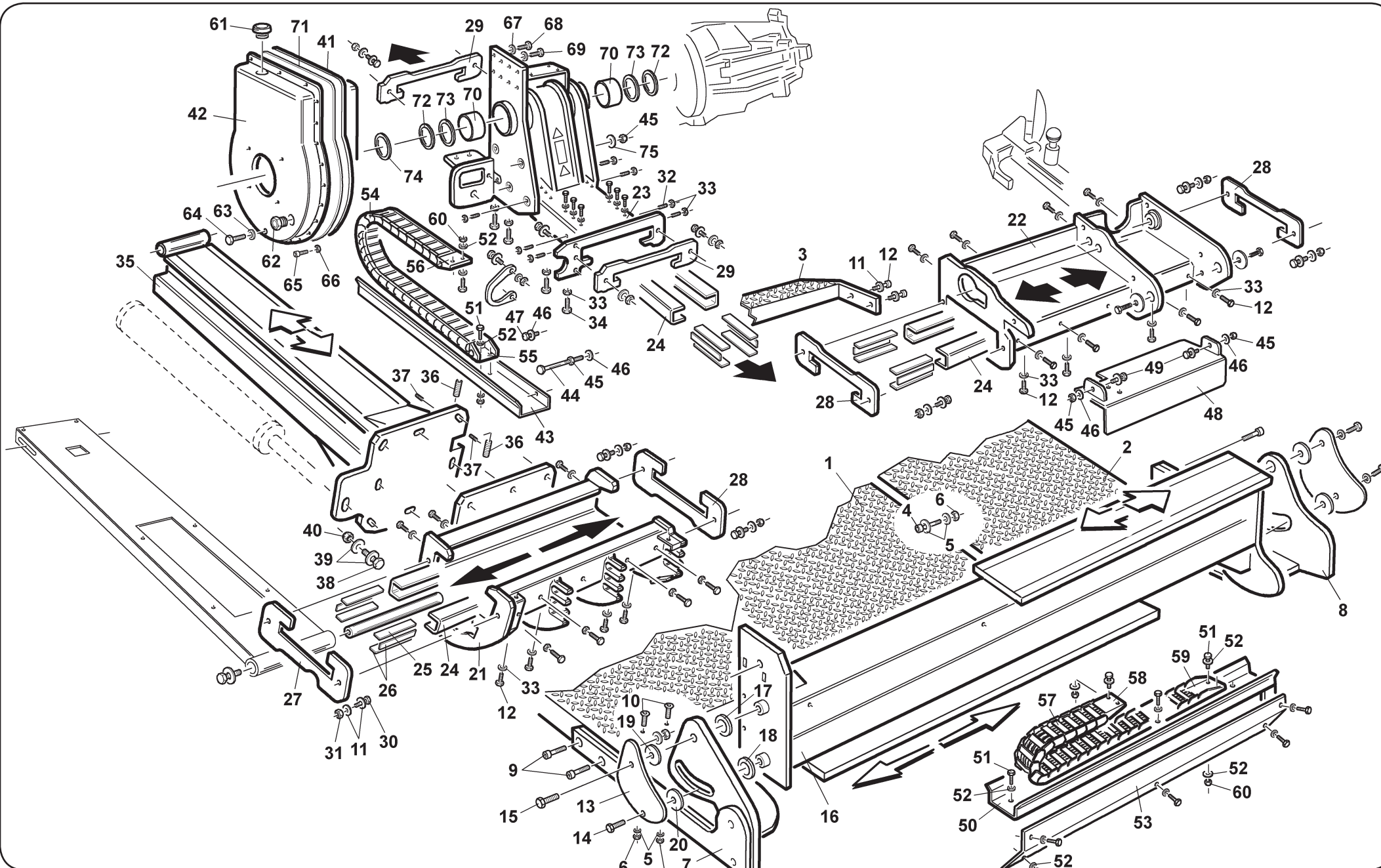
CATALOGUE PIECES D'ORIGINE - ORIGINALSATZTEILE

Ed. 03/2013

Cod. 3014339

S 558

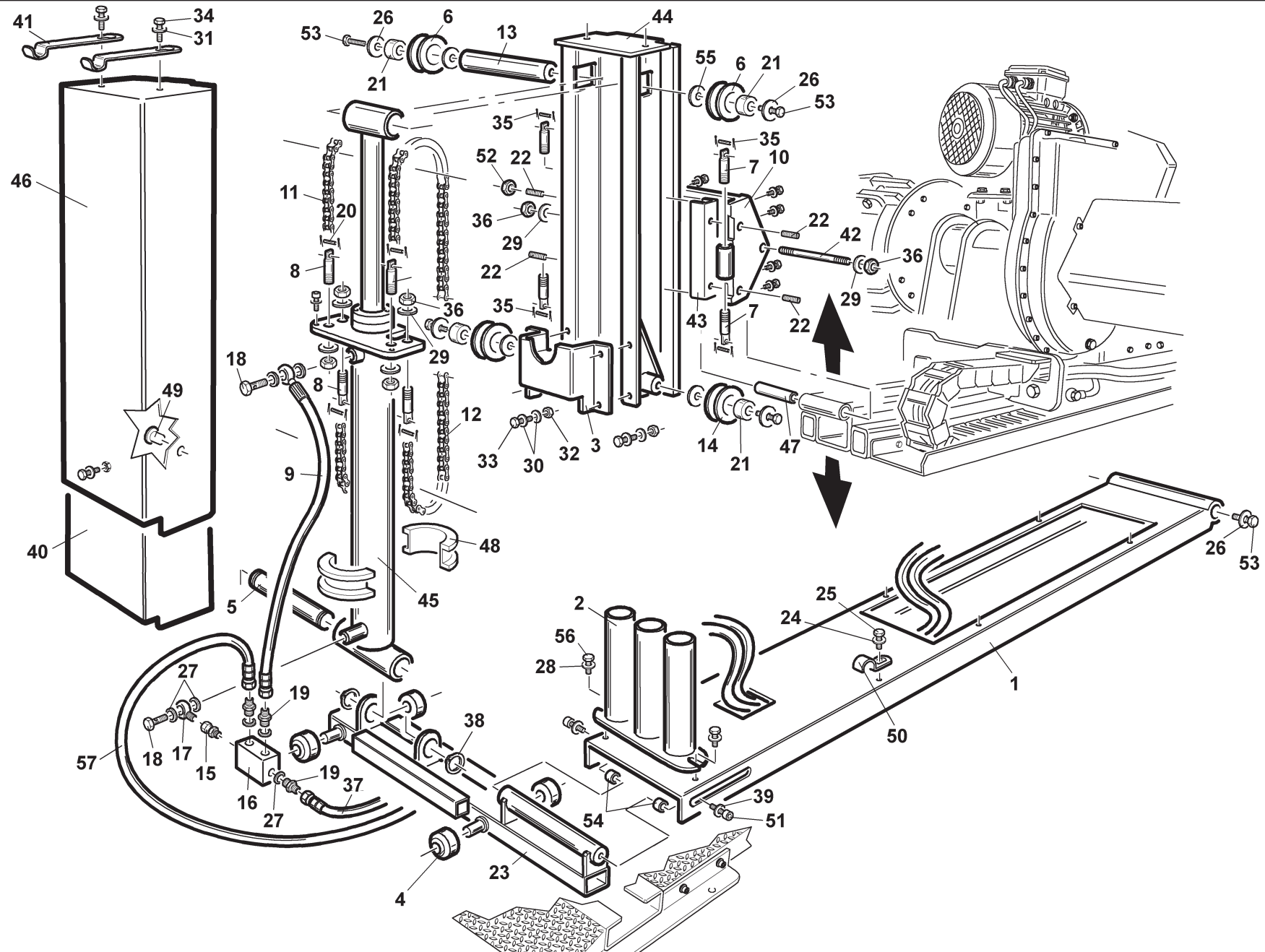




Ref	Code	Descrizione	Description	Description	Beschreibung
1	8516487	PEDANA LARGA -GRIGIO	LARGE BASE PLATFORM	PLATEFORME EMBASE LARGE	BREITE GRUNDPLATTFORM
2	8516501	PEDANA STRETTA -GRIGIO 7001	NARROW BASE PLATFORM	PLATEFORME EMBASE ETROITE	SCHMALE GRUNDPLATTFORM
3	8516515	RAMPA AVVITATA -GRIGIO	RAMP	RAMPE	RAMPE
4	3000599	PERNO X CROC. M12 L=50 TCEI (12.9)	PIN M12 L=50	AXE M12 L=50	STIFT M12 L=50
5	4399981	RONDELLA 12 (13x24x2,5)ZNT6592	WASHER 12 (13x24x2,5)	RONDELLE 12 (13x24x2,5)	BEILAGSSCHEIBE 12 (13x24x2,5)
6	4399865	DADO AUTOBL.M12 BASSO.6S.	SELF-LOCKING NUT M12	ECROU DE VERROUILLAGE M12	SELBSTSICHERNDE MUTTER M12
7	8516475	ORECCHIA SX -GRIGIO 7001	LEFT EAR	OREILLE GAUCHE	LINKES OHR
8	8516476	ORECCHIA DX -GRIGIO 7001	RIGHT EAR	OREILLE DROITE	RECHTES OHR
9	4397504	VITE TCEI M12x30 12.9	SCREW 12x30	VIS 12x30	SCHRAUBE 12x30
10	4396349	VITE TSPEI M12x30 10.9	SCREW 12x50	VIS 12x50	SCHRAUBE 12x50
11	4399378	RONDELLA 10 (10,5x21x2)	WASHER D.10 (10,5x21x2)	RONDELLE D.10 (10,5x21x2)	BEILAGSSCHEIBE 10 (10,5x21x2)
12	4399228	VITE TE 10x25 8.8	SCREW 10x25	VIS 10x25	SCHRAUBE 10x25
13	2116486	COPERCHIO PROTEZIONE -BRUNITO	COVER PLATE	PLAQUE COUVERTURE	ABDECKPLATTE
14	4399982	VITE TE 12x30 8.8 ZNT	SCREW 12x30	VIS 12x30	SCHRAUBE 12x30
15	4398359	VITE TE 16x30 8.8 ZNT	SCREW 16x30	VIS 16x30	SCHRAUBE 16x30
16	8516460	TRAVE PORTANTE -GRIGIO 7001	LOAD BEARING BEAM	LONGERON PORTANT	TRAEGER
17	3016484	ROND.FULCRO ROTAZIONE (40,2x61x5)	WASHER (40,2x61x5)	RONDELLE (40,2x61x5)	BEILAGSSCHEIBE (40,2x61x5)
18	3016485	ROND.PERNO REG.GIOCO (30,2x51x5)	WASHER (30,2x51x5)	RONDELLE (30,2x51x5)	BEILAGSSCHEIBE (30,2x51x5)
19	3016904	ROND. ARNITE (16,5x60x5)	WASHER (16,5x60x5)	RONDELLE (16,5x60x5)	SCHEIBE (16,5x60x5)
20	3016903	ROND. ARNITE (12,5x50x5)	WASHER (12,5x50x5)	RONDELLE (12,5x50x5)	BEILAGSSCHEIBE (12,5x50x5)
21	6116201	CARRELLO X BRACCIO M.558/9-BLU B.5015	ARM CARRIAGE	CHARIOT DE BRAS	ARMSCHLITTEN
22	6116548	CARRELLO UTENS. S.558/9-BLU B. 5015	TOOL CARRIAGE	CHARIOT OUTIL	WERKZEUGSCHLITTEN
23	6116244	CARRELLO AUTOC.-N- S.558/9-BLU B.5015	CHUCK CARRIAGE	CHARIOT MANDRIN	SPANNFUTTERSCHLITTEN
24	2116535	GUIDA PER ARNITE -ZNT VERDE	GUIDE BAR	BARRE GUIDAGE	FUEHRUNGSLEISTE
25	3016532	PATTINO LARGO ARNITE CARR.558-9	LARGE SLIDE	PATIN LARGE	BREITER GLEITSCHUH
26	3016531	PATTINO STRETTO ARNITE CARR.558-9	NARROW SLIDE	PATIN ETROIT	SCHMALER GLEITSCHUH
27	3016255	PANT.FISSAGGIO PATTINI CARR.SOLL.-BRUN	CARRIAGE SLIDE FASTENING PLATE	PLAQUE FIXATION PATIN CHARIOT	GLEITSCHUHVERBINDUNGSPLATTE
28	3016197	PANT.FISSAGGIO PATTINI CARR.-BRUNITO	CARRIAGE SLIDE FASTENING PLATE	PLAQUE FIXATION PATIN CHARIOT	GLEITSCHUHVERBINDUNGSPLATTE
29	3016254	PANT.FISSAGGIO PATTINI AUTOC.-BRUNITO	SLIDE FASTENING PLATE	PLAQUE FIXATION PATIN	GLEITSCHUHVERBINDUNGSPLATTE
30	4399951	VITE TE 10x35 8.8	SCREW 10x35	VIS 10x35	SCHRAUBE 10x35
31	4399971	DADO AUTOBL.M10 BASSO.6S.	SELF-LOCKING NUT M10	ECROU DE VERROUILLAGE M10	SELBSTSICHERNDE MUTTER M10
32	4398826	VITE STEI 10x20 P.P.	SCREW 10x20	VIS 10x20	SCHRAUBE 10x20
33	4399967	DADO M10 6S BASSO ZNT	NUT M10	ECROU M10	MUTTER M10
34	4399966	VITE TE 10x20 8.8	SCREW 10x20	VIS 10x20	SCHRAUBE 10x20
35	8516203	BRACCIO SUPP.MANDRINO -GRIGIO	CHUCK SUPPORT ARM	BRAS SUPPORT MANDRIN	SPANNFUTTERTRAGARM

Ref	Code	Descrizione	Description	Description	Beschreibung
36	4397653	VITE STEI 16x25 P.P.	SCREW 16x25	VIS 16x25	SCHRAUBE 16x25
37	4399121	VITE STEI 6x6 P.P.	SCREW 6x6	VIS 6x6	SCHRAUBE 6x6
38	4398304	VITE TE 16x50 8.8 ZNT	SCREW 16x50	VIS 16x50	SCHRAUBE 16x50
39	4399828	RONDELLA 16 (17x30x3)	WASHER 16 (17x30x3)	RONDELLE 16 (17x30x3)	BEILAGSSCHEIBE 16 (17x30x3)
40	4396935	DADO AUTOBL.M16 ALTO	SELF-LOCKING NUT M16	ECROU DE VERROUILLAGE M16	SELBSTSICHERNDE MUTTER M16
41	6116566	CARTER POST.RIDUT.558/9-BLU B.	REAR CASING	CARTER ARRIERE	HINTERSCHUTZBLECH
42	6100998	CARTER ANTERIORE-BLU 5015 B.	FRONT CASING	CARTER AVANT	VORDERGESTELL
43	6616223	CANALA PORTACATENA MANDRINO	CHUCK CHAIN GUIDE BAR	BARRE PORTE CHAINE MANDRIN	SPANNFUTTERKETTENTRAGSTANGE
44	4399297	VITE TCEI M 8x130 8.8	SCREW 8x130	VIS 8x130	SCHRAUBE 8x130
45	4399976	DADO M 8 6S	NUT M8	ECROU M8	MUTTER M8
46	4399829	RONDELLA 8 (8,4x16x1,5)	WASHER 8 (8,4x16x1,5)	RONDELLE 8 (8,4X16X1,5)	BEILAGSSCHEIBE 8 (8,4x16x1,5)
47	4399946	VITE TE 8x16 8.8	SCREW 8x16	VIS 8x16	SCHRAUBE 8x16
48	6116262	CARTER CARRELLO UTENSILE	TOOL CARRIAGE CASING	CARTER CHARIOT OUTIL	WERKZEUGSCHLITTENSCHUTZBLECH
49	4399935	VITE TE 8x25 8.8	SCREW 8X25	VIS 8x25	SCHRAUBE 8x25
50	6116260	CARTER PROTEZ.TUBI PALO UT.	HOSE CASING	CARTER PROTECTION TUYAU	SCHLAUCHSCHUTZBLECH
51	4398723	VITE TE 6x12 8.8	SCREW 6x12	VIS 6x12	SCHRAUBE 6x12
52	4398848	RONDELLA 6 (6,6x18x1,5)	WASHER 6 (6,6x18x1,5)	RONDELLE 6 (6,6x18x1,5)	BEILAGSSCHEIBE 6 (6,6x18x1,5)
53	8516057	LAMIERA CARTER CATENA -GRIGIO	CHAIN SIDE HOUSING	CARTER LATERAL CHAINE	KETTENSEITENSCHUTZBLECH
54	4298877	SOTTOTAPPO D.60 NERO	UNDERCAP D.60	SOUS-BOUCHON D.60	UNTERDECKEL D.60
55	4296876	ATTACCO MASCHIO CATENA 560	CHAIN UNION	ATTELAGE CHAINE	KETTENVERBINDUNGSSTUECK
56	4296875	ATTACCO FEMMINA CATENA 560	CHAIN UNION	ATTELAGE CHAINE	KETTENVERBINDUNGSSTUECK
57	4295434	CATENA PORTACAVI 565/A TIPO-90 R.75	CHAIN	CHAINE	KETTE
58	4295433	ATTACCO MASCHIO CATENA 01565 AM	CHAIN MALE UNION	FIXATION DE CHAINE - MALE	KETTENANSCHLUSS
59	4295432	ATTACCO FEMMINA CATENA 01565 AF	CHAIN FEMALE UNION	FIXATION DE CHAINE - FEMELLE	KETTENANSCHLUSS
60	4399889	DADO M 6 6S	NUT M6	ECROU M6	MUTTER M6
61	4199258	TAPPO OLIO	OIL LEVEL PLUG	BOUCHON NIVEAU HUILE	OELSTANDVERSCHRAUBUNG
62	4297160	SPIA LIVELLO OLIO 3/4" COMPL.	OIL LEVEL INDICATOR 3/4"	TEMOIN NIVEAU HUILE 3/4"	ÖLSTANDKONTROLLE 3/4"
63	4198598	ROND. RAME RR 3/8" (17x23x1,5)	COPPER WASHER 3/8" 17x23x1,5	RONDELLE EN CUIVRE 3/8" 17x23x1,5	KUPFERSCHEIBE 3/8" 17x23x1,5
64	4197684	TAPPO MASC.TMG 3/8	PLUG 3/8"	BOUCHON MALE 3/8"	PFROPFEN 3/8"
65	4399300	VITE TCEI M 6x12 8.8	SCREW 6x12	VIS 6x12	SCHRAUBE 6x12
66	4399889	DADO M 6 6S	NUT M6	ECROU M6	MUTTER M6
67	4399378	RONDELLA 10 (10,5x21x2)	WASHER D.10 (10,5x21x2)	RONDELLE D.10 (10,5x21x2)	BEILAGSSCHEIBE 10 (10,5x21x2)
68	4399786	VITE TE 10x30 8.8	SCREW 10x30	VIS 10x30	SCHRAUBE 10x30
69	4399228	VITE TE 10x25 8.8	SCREW 10x25	VIS 10x25	SCHRAUBE 10x25
70	4295757	BRONZINA 90x100 L=80 S.C.	BRASS 90x100 L=80	COUSSINET 90x100 L=80	BRONZELAGER 90x100 L=80

Ref	Code	Descrizione	Description	Description	Beschreibung
71	3001051	GUARNIZIONE PER RIDUTTORE	REDUCTION GEAR SEAL	JOINT POUR REDUCTEUR	DICHTUNG
72	4295759	VOLANTINO THB D.50 M10	BALL GRIP THB D.50 M10	POMMEAU THB D.50 M10	KUGELGRIFF THB D.50 M10
73	3014194	RASAMENTO ACCIAIO 90,3x119x0,8	STEEL SHIM 90,3x119x0,8	CALE EN ACIER 90,3X119X0,8	STAHLSCHEIBE 90,3x119x0,8
74	4295591	ANELLO OR 4437 D.110,32X3,53	O-RING 4437 D.110,32x3,53	JOINT OR 4437 D.110,32x3,53	O-RING 4437 D.110,32x3,53
75	3001068	RONDELLA D.10,5X40X5	WASHER D.10,5x40x5	RONDELLE D.10,5x40x5	BEILAGSSCHEIBE D.10,5x40x5



Ref	Codart	Descrizione	Description	Description	Beschreibung
1	6616305	SUPP. SERBATOIO SALDATO -NERO	TANK SUPPORT	SUPPORT RESERVOIR	TANKTRAEGER
2	6616307	SUPPORTO DOTAZIONI -NERO	TOOLING HOLDER	SUPPORT OUTILS	WERKZEUGTRAEGER
3	6615480	CAVALLOTTO SOLLEVATORE-NERO	SUPPORT PLATE	PLAQUE SUPPORT	STUETZPLATTE
4	3016277	RUOTA CARRELLO SOLL.	CARRIAGE WHEEL	GALET CHARIOT	SCHLITTENRAD
5	3016278	PERNO INF.SOLLEVATORE	LOWER PIN	AXE INFERIEUR	UNTERKOLBEN
6	3016286	RUOTA RINVIO CATENA D.100-CEMENTATA	CHAIN WHEEL D.100	ROUE DE CHAINE D.100	KETTENRAD D.100
7	3016287	TIRANTE CATENA M16 CORTO	SCREW STAY M16	TIRANT M16	SPANNSCHRAUBE M16
8	3016288	TIRANTE CATENA M16 LUNGO	SCREW STAY M16 - LONG	TIRAN M16 - LONG	SPANNSCHRAUBE M16 - LANG
9	3016329	TUBO 1/4"-R1AT L=730 -S558	HOSE 1/4"-R1AT L=730	TUYAU 1/4"-R1AT L=730	SCHLAUCH 1/4"-R1AT L=730
10	6615483	CARRELLO LIFT -NERO	CARRIAGE	CHARIOT	SCHLITTEN
11	3016541	CATENA LUNGA SOLL.S558 (32 MAGLIE)	LONG CHAIN (32 LINKS)	CHAINE LONGUE (32 MAILLONS)	LANGE KETTE (32 RINGE)
12	3016542	CATENA CORTA SOLL.S558 (30 MAGLIE)	SHORT CHAIN (30 LINKS)	CHAINE COURTE (30 MAILLONS)	KURZE KETTE (30 RINGE)
13	3016644	PERNO SUP.SOLLEVATORE	UPPER PIN	AXE SUPERIEUR	OBERKOLBEN
14	3024888	RUOTA RINVIO CATENA D.78-CEMENTATA	CHAIN WHEEL	GALET DE CHAINE	KETTENRAD
15	4197164	RACCORDO GIREV. 60001 M/F 1/4"	ROTATING UNION 1/4" M/F	RACCORD PIVOTANT M/F 1/4"	DREHANSCHLUSS M/F 1/4"
16	4197238	VALV.IDR. DI BLOCCO VBPSL 14	STOP VALVE	SOUPAPE DE BLOCAGE	ABSPERRVENTIL
17	4197297	RACCORDO OCCHIO 1/4"-1/4" BSP	UNION 1/4"	RACCORD 1/4"	ANSCHLUSS 1/4"
18	4199249	BULLONE RACCORDO FORATO 1/4"	DRILLED UNION BOLT 1/4"	BOULON RACCORD PERCE" 1/4"	LOCHVERSCHRAUBUNG 1/4"
19	4199257	NIPPLO IDR. 1/4"-h.7mm	NIPPLE 1/4" - h.7 mm.	NIPPLE 1/4" - h. 7 mm.	ANSCHLUSS 1/4"- H.7 mm.
20	4295588	PERNO PER CATENA BL 423-1/2	CHAIN PIN	AXE POUR CHAINE	KETTENSTIFT
21	4297785	BOCCOLA KU 30/34 L.25	BUSH 30/34 L=25	COQUILLE 30/34 L=25	BUECHSE 30/34 L=25
22	4395096	VITE STEI 8x30 P.P.	SCREW STEI 8x30 P.P.	SCHRAUBE STEI 8x30 P.P.	VIS STEI 8x30 P.P.
23	2116276	CARRELLO SOLLEVATORE -BRUNITO	CARRIAGE	CHARIOT	SCHLITTEN
24	4399998	RONDELLA 6 (6,4x12x1,6)	WASHER 6 (6,4x12x1,6)	RONDELLE 6 (6,4x12x1,6)	BEILAGSSCHEIBE 6 (6,4x12x1,6)
25	4398723	VITE TE 6x12 8.8	SCREW 6x12	VIS 6x12	SCHRAUBE 6x12
26	4398263	RONDELLA 12,5x48x3 SPEC.	WASHER D.12,5x48x3	RONDELLE D.12,5x48x3	BEILAGSSCHEIBE D.12,5x48x3
27	4399256	ROND. RAME 1/4" (13x19x1,5)	COPPER WASHER 1/4" D.13x19x1,5	RONDELLE EN CUIVRE 1/4" D.13x19x1,5	KUPFERSCHEIBE 1/4" D.13x19x1,5
28	4399786	VITE TE 10x30 8.8	SCREW 10x30	VIS 10x30	SCHRAUBE 10x30
29	4399828	RONDELLA 16 (17x30x3)	WASHER 16 (17x30x3)	RONDELLE 16 (17x30x3)	BEILAGSSCHEIBE 16 (17x30x3)
30	4399829	RONDELLA 8 (8,4x16x1,5)	WASHER 8 (8,4x16x1,5)	RONDELLE 8 (8,4x16x1,5)	BEILAGSSCHEIBE 8 (8,4x16x1,5)
31	4399863	RONDELLA 8 (9x24x2) ZNT	WASHER 8 (9x24x2)	RONDELLE 8 (9x24x2)	BEILAGSSCHEIBE 8 (9x24x2)
32	4399900	DADO AUTOBL.M 8 BASSO 6.S	SELF-LOCKING NUT M8	ECROU DE VERROUILLAGE M8	SELBSTSPERRENDE MUTTER M8
33	4399935	VITE TE 8x25 8.8	SCREW 8X25	VIS 8x25	SCHRAUBE 8x25
34	4399946	VITE TE 8x16 8.8	SCREW 8x16	VIS 8x16	SCHRAUBE 8x16
35	4399960	COPIGLIA D.1,6X20	SPLIT PIN D.1,6x20	GOUPILLE D.1,6x20	SPLINT D.1,6x20

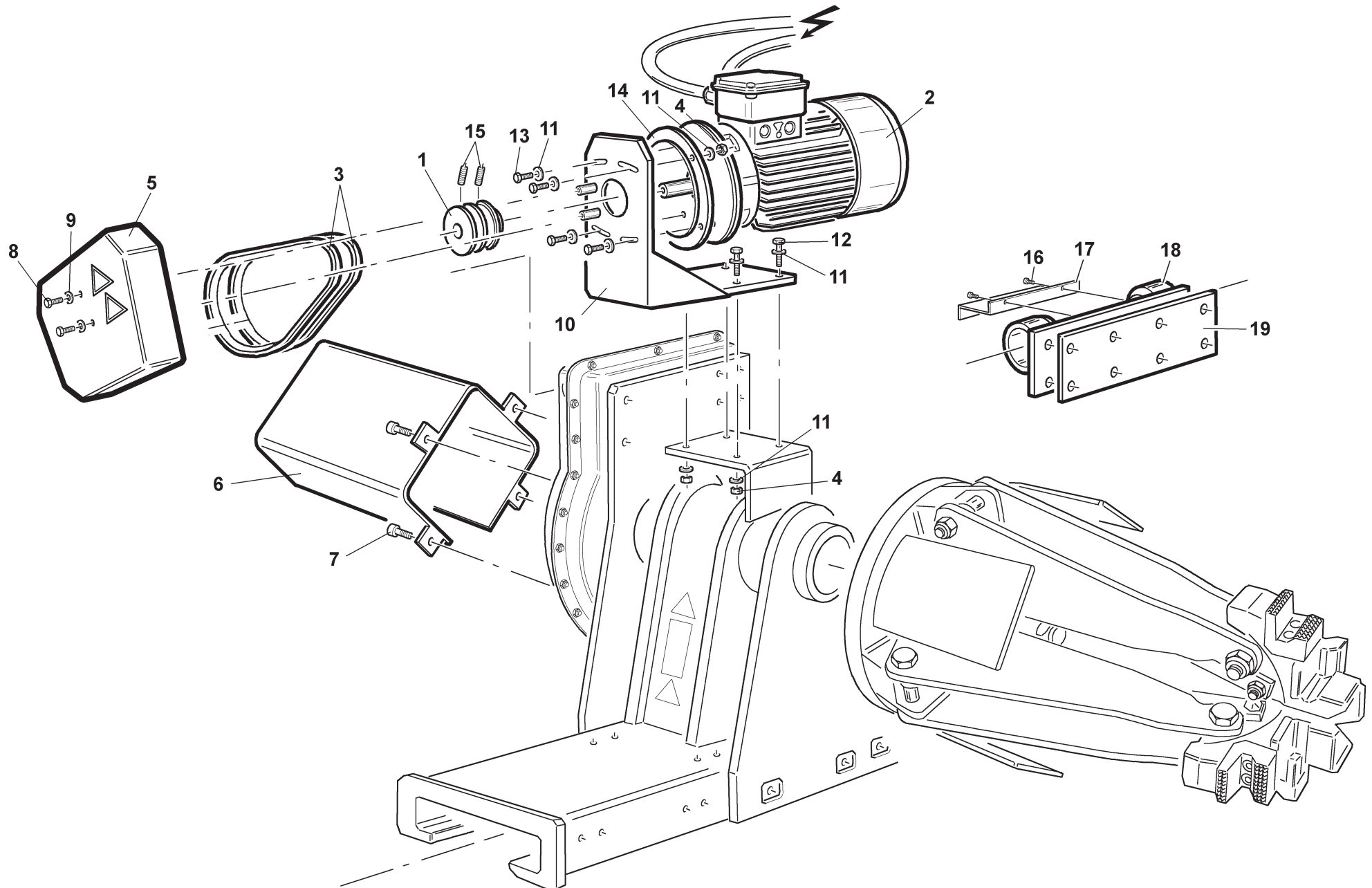
Ref	Code	Descrizione	Description	Description	Beschreibung
36	4399963	DADO AUTOBL.M16 BASSO.6S.	SELF-LOCKING NUT M16	ECROU DE VERROUILLAGE M16	SELBSTSICHERNDE MUTTER M16
37	3016330	TUBO 1/4"-R1AT L=2000 -S558	HOSE 1/4"-R1AT L=2000	TUYAU 1/4"-R1AT L=2000	SCHLAUCH 1/4"-R1AT L=2000
38	4399979	ANELLO SEEGER E D.30	SEEGER RING D.30	BAGUE SEEGER D.30	SEEGER-RING D.30
39	4399981	RONDELLA 12 (13x24x2,5)	WASHER 12 (13x24x2,5)	RONDELLE 12 (13x24x2,5)	BEILAGSSCHEIBE 12 (13x24x2,5)
40	6615495	LAMIERA INTERNA CARTER LIFT	INNER CASING	CARTER INTERNE	INNERES SCHUTZBLECH
41	3016289	SUPPORTO PINZE -BRUNITO	SUPPORT PLATE	SUPPORT	TRAGPLATTE
42	3016285	PERNO SOLL.BRACCIO MANDRINO	PIN	AXE	STIFT
43	3013913	PATTINO ALU SCORR.BOSS-L=200	SLIDE	PATIN	SCHLITTEN
44	6615471	SLITTA SOLLEVATORE -NERO	CARRIAGE	CHARIOT	SCHLITTEN
45	6616012	CILINDRO SOLL.S.558/9	CYLINDER	VERIN	ZYLINDER
46	6616283	LAMIERA CARTER LIFT ESTERNA-NERO	OUTER CASING	CARTER EXTERNE	AUSSENSCHUTZBLECH
47	3016594	BOCCOLA ARNITE SOLLEVATORE	BUSH	DOUILLE	BUECHSE
48	3016539	PATTINO SOLLEVATORE	SLIDE	PATIN	GLEITSCHUH
49	3016284	GUIDA CARTER SOLLEVATORE	CASING GUIDE	GUIDAGE CARTER	SCHUTZBLECHFUEHRUNG
50	4295214	GAFFETTA IN ACCIAIO D.16	STEEL HOOK D.16	CROCHET EN ACIER D.16	STAHLHAKEN D.16
51	4397504	VITE TCEI M12x30 12.9	SCREW 12x30	VIS 12x30	SCHRAUBE 12x30
52	4399976	DADO M 8 6S	NUT M8	ECROU M8	MUTTER M8
53	4399982	VITE TE 12x30 8.8 ZNT	SCREW 12x30	VIS 12x30	SCHRAUBE 12x304397504
54	3000108	DISTANZIALE BIELLA D.12X18X11,5	SPACER 12x18x11,5	ENTRETOISE 12x18x11,5	DISTANZSTUECK 12x18x11,5
55	4396503	RASAMENTO ACCIAIO 30X42X0,3	STEEL SHIM 30x42x0,4	CALE EN ACIER 30x42x0,4	STAHLZWISCHENLAGE 30x42x0,4
56	4399378	RONDELLA 10 (10,5x21x2)ZNT6592	WASHER D.10 (10,5x21x2)	RONDELLE D.10 (10,5x21x2)	BEILAGSSCHEIBE 10 (10,5x21x2)
57	3016331	TUBO 1/4"-R1AT L=2450 -S558	HOSE 1/4"-R1AT L=2450	TUYAU 1/4"-R1AT L=2450	SCHLAUCH 1/4"-R1AT L=2450

S 558

**AUTOCENTRANTE - CENTREUR -
SELF-CENTERING CHUCK - SELBSTZENTRIERENDER**

ED. 03/13

TAV. 3.0



S 558**AUTOCENTRANTE - CENTREUR -
SELF-CENTERING CHUCK - SELBSTZENTRIERENDER**

ED. 03/13

TAV.

3.0

Ref	Code	Descrizione	Description	Description	Beschreibung
1	3000975	PULEGGIA MOTRICE	MOTOR PULLEY	POULIE MOTEUR	MOTORSCHLEIBE
2	4595863	MOT.3PH 400V.50HZ Kw1,5-2,2	MOTOR 3PH 400V 50HZ	MOTEUR 3PH 400V 50HZ	MOTOR 3PH 400V 50HZ
3	4299306	CINGHIA ROFLEX	BELT	COURROIE	RIEMEN
4	4399969	DADO M10 6S ALTO ZNT	NUT M10	ECROU M10	MUTTER M10
5	3000943	CARTER PROT.CINGHIA	BELT CASING	CARTER POUR COURROIE	RIEMENKASTEN
6	6616557	COP. CIL.AUTOC. 558/9 VERT.	CYLINDER COVER	COUVERTURE VERIN	ZYLINDERHAUBE
7	4399298	VITE TCEI M 8x16	SCREW 8x16	VIS 8x16	SCHRAUBE 8x16
8	4399305	VITE TE 8x12	SCREW 8x12	VIS 8x12	SCHRAUBE 8x12
9	4399863	RONDELLA 8	WASHER 8	RONDELLE 8	BEILAGSSCHLEIBE 8
10	6600974	SUPPORTO MOTORE	MOTOR SUPPORT	SUPPORT MOTEUR	MOTORLAGER
11	4399378	RONDELLA 10	WASHER D.10	RONDELLE D.10	BEILAGSSCHLEIBE 10
12	4399786	VITE TE 10x30	SCREW 10x30	VIS 10x30	SCHRAUBE 10x30
13	4399880	VITE TE 10x40	SCREW 10x40	VIS 10x40	SCHRAUBE 10x40
14	4299330	DISTANZIALE CENTRAGGIO MOTORE	SPACER	ENTRETOISE	DISTANZSTUECK
15	4398827	VITE STEI 8x12 P.P.	SCREW 8x12	VIS 8x12	SCHRAUBE 8x12
16	4399300	VITE TCEI M 6x12	SCREW 6x12	VIS 6x12	SCHRAUBE 6x12
17	3001010	SCHERMO PER OLIO	OIL SCREEN	ECRAN POUR HUILE	OELSCHIRM
18	2101009	SUPPORTO VITE SENZA FINE	WORM SUPPORT	SUPPORT VIS SANS FIN	SCHNECKENLAGER
19	3014710	DISTANZ.SUPP. VITE S. FINE	SPACER	ENTRETOISE	ABSTANDSSTUECK

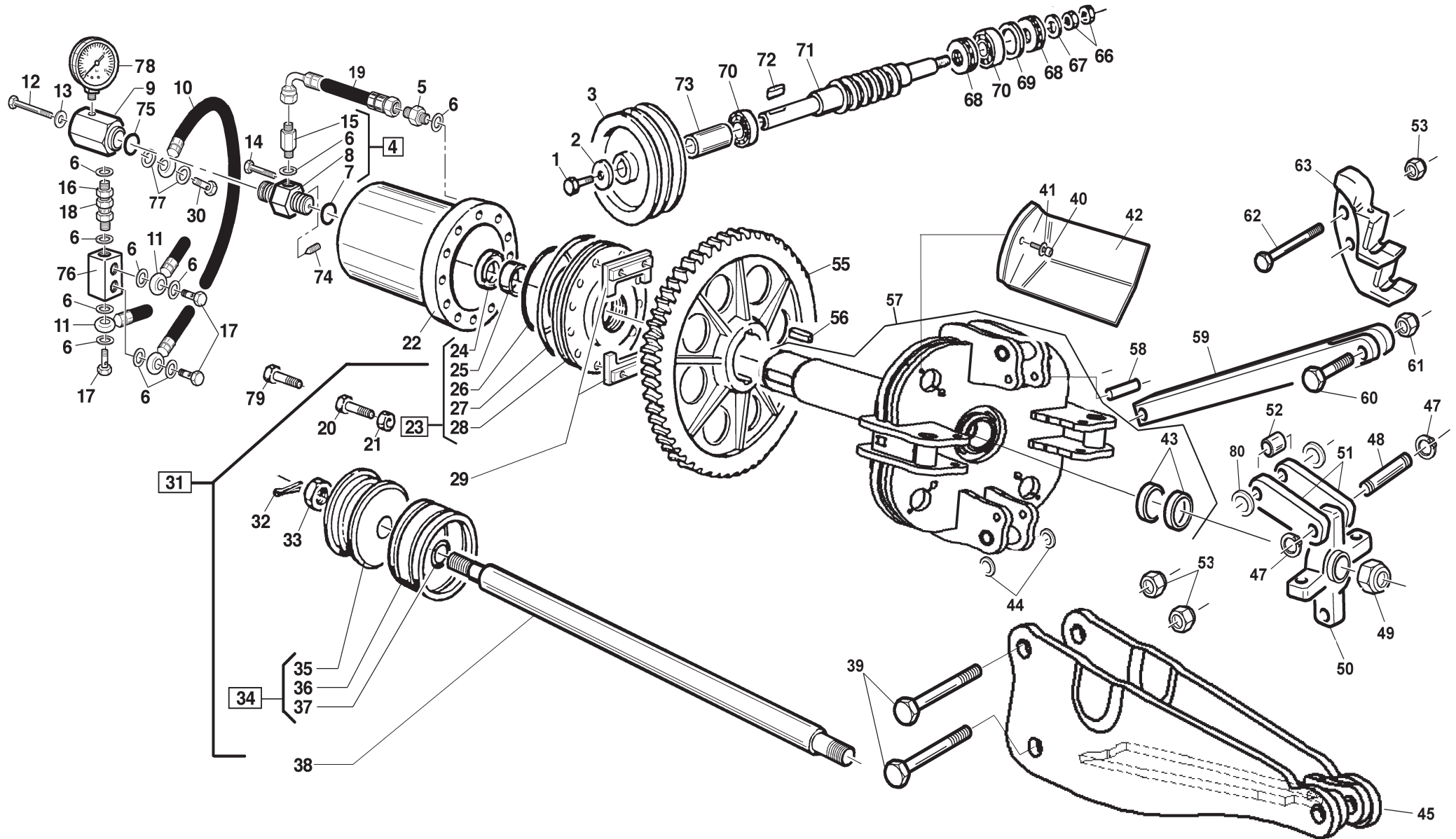
S 558

**AUTOCENTRANTE - MANDRIN -
SELF-CENTERING CHUCK - SPINDEL**

ED. 03/13

TAV.

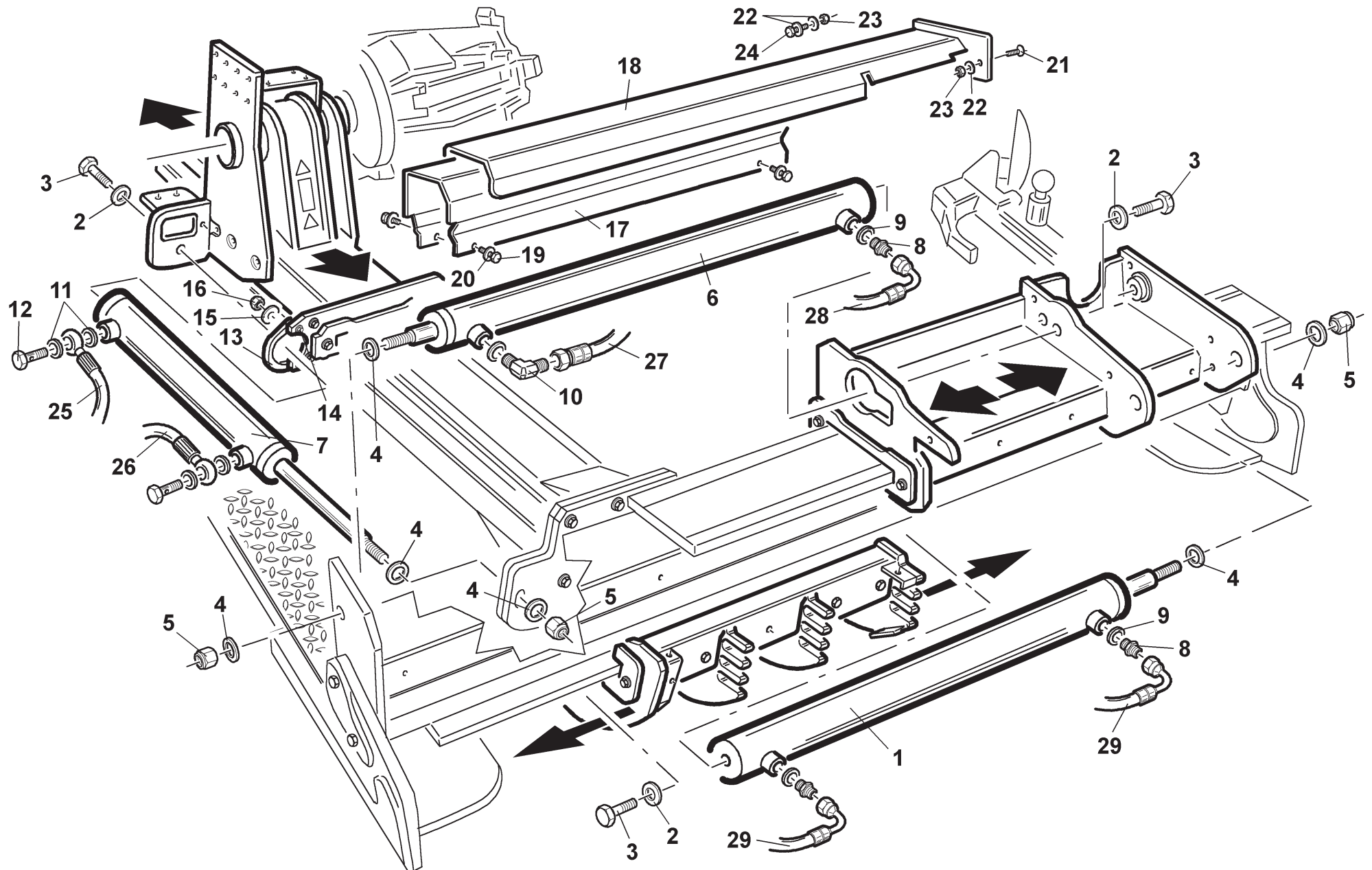
4.0



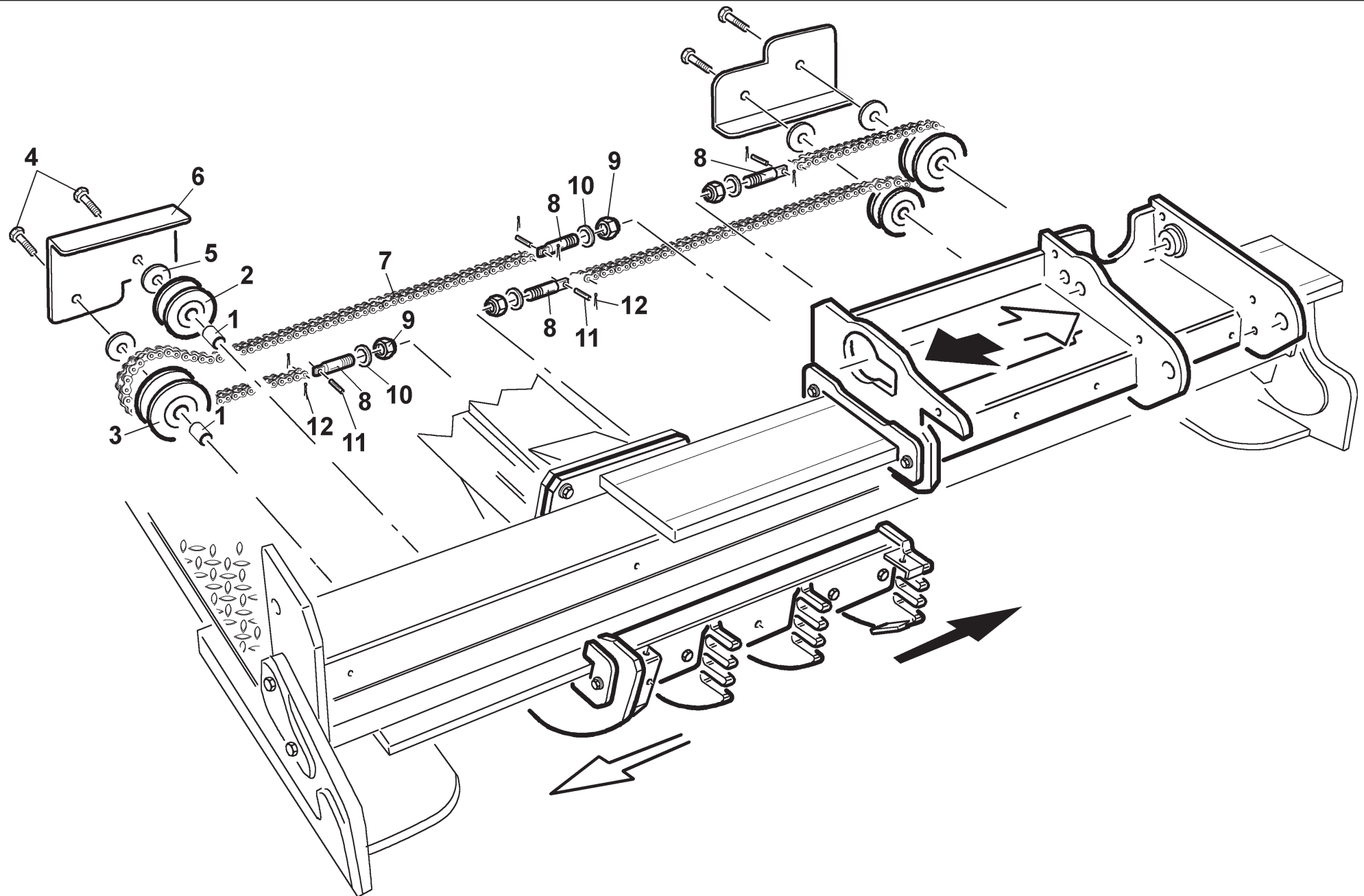
Ref	Code	Descrizione	Description	Description	Beschreibung
1	4399953	VITE TE 10x16 8.8 5739	VIS M10x16 8.8	SCREW M10x16 8.8	SCHRAUBE M10x16 8.8
2	3001068	RONDELLA D.10,5X40X5	RONDELLE D.10,5x40x5	WASHER D.10,5x40x5	SCHEIBE D.10,5X40X5
3	3001052	PULEGGIA CONDOTTA	POULIE CONDUITE	DRIVEN PULLEY	ZUFUEHRUNGSROLLE
4	2001046	PERNO PER RACCORDO GIREVOLE	AXE POUR RACCORD PIVOTANT	PIN	STIFT
5	3001372	NIPPLES MM 1/4"- h.12mm	NIPPLE MM 1/4"	NIPPLE 1/4" H.12mm.	NIPPEL 1/4" - H.12mm.
6	4399256	ROND. RAME 1/4" (13x19x1,5)	RONDELLE 1/4" D.13x19x1,5	WASHER 1/4" D.13x19x1,5	KUPFERSCHEIBE 1/4"
7	4299241	ANELLO OR 4093 D.23,40X3,53	BAGUE OR 4093 - D.23,40x3,53	O-RING 23,40x3,53	O-RING 4093 - D.23,40X3,53
8	2001241	PERNO RACCORDO GIREVOLE	AXE RACCORD PIVOTANT	PIN	STIFT
9	2016554	CORPO RACCORDO GIREVOLE	CORPS RACCORD PIVOTANT	ROTATING UNION	DREHANSCHLUSS
10	3009763	TUBO 1/4" L=400 RACC.GIR. 551	TUYAU 1/4" L=400 RACC.PIVOTANT	HOSE 1/4" L=400 ROTATING UNION	SCHLAUCH DREHVERB.
11	3010138	TUBO CILINDRO AUTOCENTR. 551V	TUYAU VERIN MANDRIN	CHUCK CYLINDER HOSE	ZYLINDERSCHLAUCH
12	4399305	VITE TE 8x12 8.8 5739	VIS M8x12 - 8.8	SCREW M8x12 8.8	SCHRAUBE 8x12 8.8
13	4399947	RONDELLA 8 (9x32x4) ZNT 6593	RONDELLE 8 (9x32x4) UNI 6593	WASHER 8 (9x32x4)	BEILAGSSCHEIBE 8 (9x32x4)
14	4399299	VITE TCEI M 6x30 8.8 5931	VIS M6x30 8.8	SCREW 6x30 8.8	SCHRAUBE 6x30 8.8
15	3004989	NIPPLO MM 1/4" -h.18 mm.	NIPPLE MM 1/4" - H.18 mm.	NIPPLE MM 1/4" H.18mm.	NIPPEL MM 1/4" - H.18 mm.
16	4199257	NIPPLO MM. 1/4"- h.7 mm.	NIPPLE MM. 1/4"	NIPPLE MM.1/4" H=7,5 mm.	NIPPEL 1/4" - H.7mm.
17	4199249	BULLONE RACCORDO FORATO 1/4"	BOULON	1/4" UNION NUT	VERSCHRAUBUNG 1/4"
18	4197164	RACCORDO GIREV. M/F 1/4"	RACCORD PIVOTANT M/F 1/4"	ROTATING UNION M/F 1/4"	DREHVERBINDUNG M/F 1/4"
19	3001063	TUBO PONTE CIL.AUTOCENTR. S551	TUYAU	HOSE	SCHLAUCH
20	4397145	VITE TE 10x70 8.8 P.F. 5737	VIS 10x70 8.8	SCREW 10x70 8.8	SCHRAUBE 10x70 8.8
21	4399969	DADO M10 6S ALTO ZNT 5587	ECROU M10	NUT M10	MUTTER M10
22	2100996	CILINDRO D. 140	CYLINDRE D.140	CYLINDER D.140	ZYLINDER D.140
23	2001048	FLANGIA PER CILINDRO D.140 551	BRIDE POUR CYLINDRE D.140	CYLINDER FLANGE D.140	FLANSCH
24	4299173	ANELLO TENUTA RS 4052	BAGUE D'ETANCHEITE'	GROMMET	DICHTUNGSRING
25	4299172	ANELLO GUIDA WRI 40	BAGUE DE GUIDAGE WRI 40	GUIDE RING	FUEHRUNGSRING
26	4299171	ANELLO OR 4525 D.132,94X3,53	BAGUE OR 4525 - D.132,94x3,53	O-RING 132,94x3,53	O-RING 4525 - D.132,94X3,53
27	4299170	ANELLO OR 6720 D.183,52X5,34	BAGUE OR 6720 - D.183,52x5,34	O-RING 183,52x5,34	O-RING 6720 - D.183,52X5,34
28	3008801	COPERCHIO GUIDA CILINDRO D.140	COUVERCLE GUIDAGE VERIN D.140	CYLINDER GUIDE COVER D.140	ZYLINDERFUEHRUNG
29	2108802	PIASTRA BLOCC. RUOTA ELIC. 551	PLAQUE BLOCAGE ROUE	WHEEL LOCKING PLATE	FIXIERSCHEIBE
30	4197232	BULLONE RACC. 1/4" TORNITO	BOULON RACC,1/4"	1/4" UNION NUT	VERSCHRAUBUNG 1/4"
31	2001281	CILINDRO D.140 COMPL.	CYLINDRE D.140	CYLINDER D.140	ZYLINDER D.140
32	4398496	VITE STEI 5x5 P.CONICA	VIS 5X5	SCREW 5x5 - CONIC 5927	SCHRAUBE 5x5
33	4399294	DADO M27x2 6S BASSO ZNT 5589	ECROU M27x2	NUT M27x2	MUTTER M27X2 6S
34	2001045	PISTONE CON GUARNIZIONI 551	PISTON AVEC JOINTS	PISTON	KOLBEN MIT DICHTUNGEN

35	3001117	PISTONE D.140	PISTON D.140	PISTON D.140	KOLBEN D.140
36	4299313	ANELLO TENUTA PIST. DAS 140115	JOINT PISTON	GROMMET	DICHTUNGSRING
37	4299312	ANELLO OR 4112 D.28,17X3,53	BAGUE OR 4112 D.28,17x3,53	O-RING 28,17x3,53	O-RING 4112 - D.28,17X3,53
38	3001001	ASTA COMANDO MANDRINO	TIGE COMMANDE MANDRIN	CHUCK CONTROL SHAFT	KONTROLLSTANGE
39	3032343	VITE TE M18X1,5X110 Lp85	VIS 18X1,5X110	SCREW 18X1,5X110	SCHRAUBE 18X1,5X110
40	4398273	VITE AUTOF. TCEI 5,5x19	VIS AUTOTARADEUSE TCEI 5,5x19	SELF-TAPPING SCREW 5,5x19	BLECHSCHRAUBE 5,5x19
41	4399998	RONDELLA 6 (6,4x12x1,6)ZNT6592	RONDELLE 6 (6,4x12x1,6)	WASHER 6 (6,4x12x1,6)	SCHEIBE 6 (6,4x12x1,6)
42	3017581	PROTEZ. ABS MANDRINO 560 *NERO	PROTECT. ABS	ABS COVER	ABS SCHUTZDECKE
43	4299309	ANELLO RASCHIATORE PW40G	RACLETTE D.40X50X6	SCRAPER RING	OELABSTREIFRING
44	4399974	RASAMENTO ACCIAIO 20,5X28X0,3	ENTRETOISE 20,5x28x0,3	SHIM ADJUSTMENT 20,5x28x0,3	AUSGLEICHRING 20,5x28x0,3
45	2132491	BRACCIO MANDRINO -ZNT.	BRAS MANDRIN GAUCHE	LEFT CHUCK ARM	LINKER SPINDELARM
47	4399231	ANELLO SEEGER E D.18 7435	BAGUE SEEGER D.18	SEEGER RING D.18	SEEGER RING D.18
48	3000993	PERNO PER BIELLA AUTOCENTRANTE	GOUJON POUR BIELLE AUTOCENTR.	PIN	STIFT
49	4399293	DADO M33x2 6S BASSO 5589	ECROU M33x2	NUT M33x2	MUTTER M33X2 6S
50	3001050	CROCE PER AUTOCENTRANTE	CROIX POUR AUTOCENTREUR	TURNTABLE CROSS	KREUZ
51	3001044	BIELLA PER AUTOCENTRANTE	BIELLE POUR AUTOCENTREUR	CONNECTING ROD	PLEUELSTANGE
52	3000994	DISTANZIALE D.20X30X28-BRUNITO	ENTRETOISE D.20x30x28	SPACER D.20x30x28	ABSTANDSSTUECK D
53	4399316	DADO AUTOBL.M18x1,5 h=18 7474	ECROU BLOK M18x1,5 H.18	SELF-LOCKING NUT M18x1,5 H=18	SELBSTSICHERNDE MUTTER
55	3008800	RUOTA ELICOIDALE S.551 T.N.	ROUE HELICOIDALE S.551	WORM WHEEL	SCHNECKENRAD
56	4399218	LINGUETTA 20x12x60 (A) 6604	LANGUETTE 20x12x60	TAB 20x12x60	ZUNGE 20X12X60
57	2037995	MANDRINO COMPL.	MANDRIN COMPLET	COMPL. CHUCK UNIT	KOMPL. SPINDEL
58	3033796	SPINA CIL.RETT. 12x65	GOUPILLE 12x65	SPRING PIN 12x65	ZYLINDERSTIFT 12x65
59	3000992	BARRA STABILIZZATRICE-ZINCATA	BARRE	BAR	STANGE
60	3000968	VITE TE M12X58 (4399314)	VIS TE M12x58	SCREW 12x58	SCHRAUBE 12x58
61	4399865	DADO AUTOBL.M12 BASSO.6S. 7474	ECROU A' BLOCAGE AUTOMAT. M12	SELF-LOCKING NUT M12	SELBSTSICHERNDE MUTTER
62	3000966	VITE TE M18X1,5X87(4399317)	VIS TE M18x1,5x87	SCREW 18x1,5x87	SCHRAUBE 18x1,5x87
63	3033828	GRIFFA SMTG CAMION GRANDE	SUPPORT DE MORS	CLAMP SUPPORT	KLAUENHALTER
66	4399181	DADO M16x1,5 6S BASSO ZNT	ECROU	NUT M16	MUTTER M16 6S
67	3001114	RONDELLA D. 16,2X38X7	RONDELLE D.16,2x38x7	WASHER D.16,2x38x7	SCHEIBE D.16,2X38X7
68	4299284	CUSCINETTO ASSIALE 2KL 51205 1E8	COUSSINET	BEARING	UNTERLAGE TAM 6205 2RS
69	3001115	DISTANZIALE CUSCINETTO	ENTRETOISE COUSSINET	SPACER	ABSTANDSSTUECK
70	4299285	CUSCINETTO TAM 6205 2RS - 1I9	COUSSINET	BEARING	UNTERLAGE TAM 6205 2RS

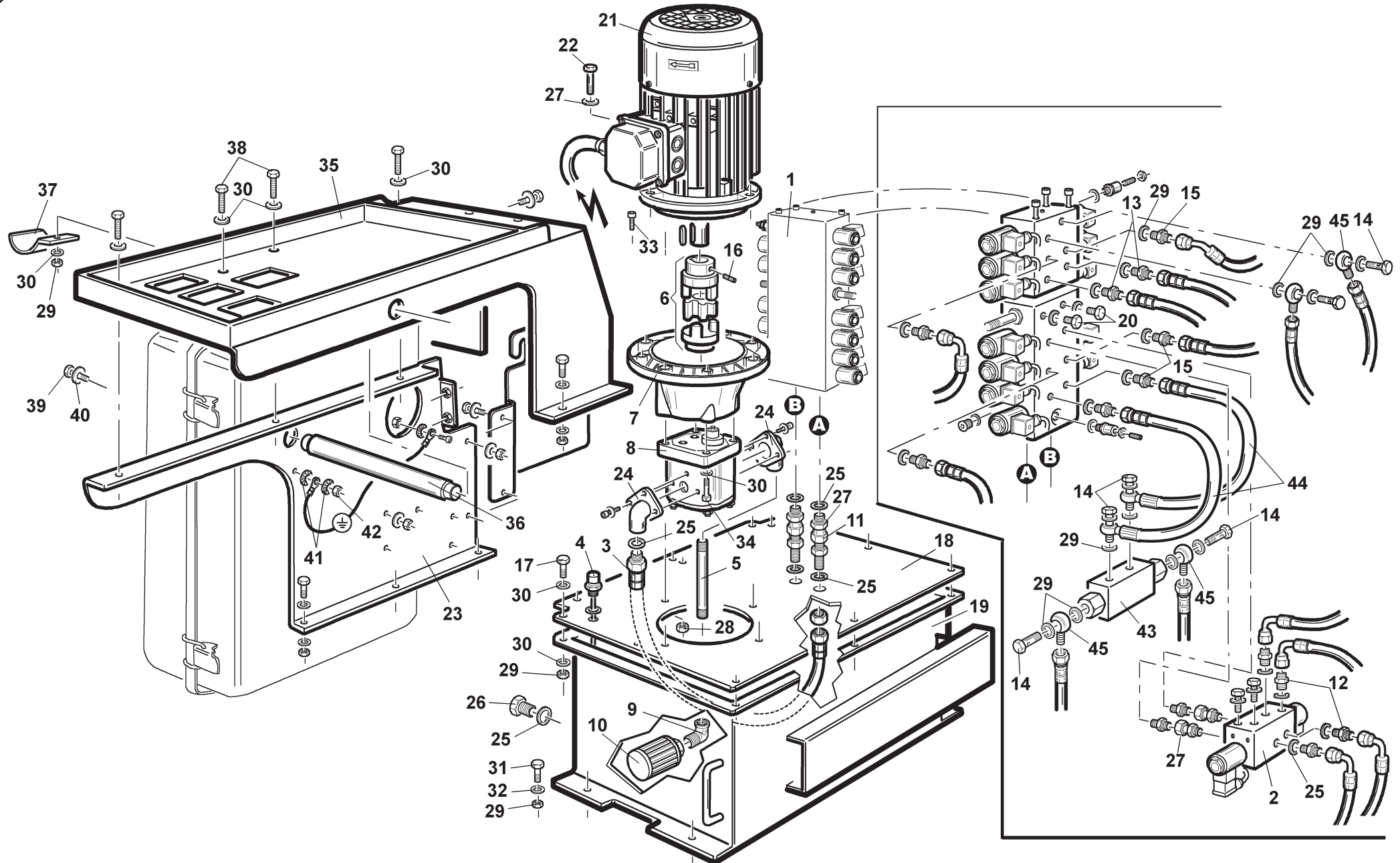
71	3010861	VITE SENZA FINE M3,5	VIS SANS FIN M3,5	WORM SCREW M3,5	SCHNECKE M3,5
72	4399287	LINGUETTA 7x8x30 (A) 6604	LANGUETTE REF. 8680	TAB 7x8x30	ZUNGE 7X8X30
73	3000999	DISTANZIALE D.25,1X35X58 ZNT B	ENTRETOISE REF. 8678	SPACER D.25,1x35x58	ABSTANDSSTUECK
74	4397046	VITESTEI 10x10 P.CONICA 5927	VIS M10x10	SCREW M10x10	SCHRAUBE M10x10
75	4299167	ANELLO DRS-2028	BAGUE	RING	RING DRS-2028
76	4197238	VALV.IDR. DI BLOCCO VBPSL 14	VANNE HYDR. DE BLOCCAGE	HYDRAULIC STOP VALVE	HYDR. SPERRVENTIL
77	4396341	ROND.BOND 1/4"(13,5x21x12)	RONDELLE BOND 1/4"	BOND WASHER 1/4"	KUPFERSCHEIBE 1/4"
78	4199146	MANOMETRO 1/4" 250 BAR	MANOMETRE 1/4" 250 BAR	PRESSURE GAUGE 1/4" 250 BAR	MANOMETER 1/4" 250 BAR
79	4396424	VITE TCEI M10x60 8.8 PF	VIS M10x60 8.8	SCREW M10x60 - 8.8	SCHRAUBE M10x60 - 8.8
80	4398289	RONDELLA 18 (19x34x3) ZNT	RONDELLE 18 (19x34x3)	WASHER 18 (19x34x3)	BEILAGSSCHEIBE 18 (19x34x3)



Ref	Code	Descrizione	Description	Description	Beschreibung
1	6616064	CILINDRO TRASL.BRAC.MA.558-NERO	TRANSLATION CYLINDER	VERIN DE TRANSLATION	VERSCHIEBUNGSZYLINDER
2	4399828	RONDELLA 16 (17x30x3)	WASHER 16 (17x30x3)	RONDELLE 16 (17x30x3)	BEILAGSSCHEIBE 16 (17x30x3)
3	4398359	VITE TE 16x30 8.8 ZNT	SCREW 16x30	VIS 16x30	SCHRAUBE 16x30
4	4395033	RONDELLA STAFFAGGIO D.19x40x6-BONIF.	WASHER D.19x40x6	RONDELLE D.19x40x6	BEILAGSSCHEIBE D.19x40x6
5	4398725	DADO AUTOBL.MA18 ALTO	SELF-LOCKING NUT M18	ECROU DE VERROUILLAGE M18	SELBSTSICHERNDE MUTTER M18
6	6616339	CILINDRO TRASL.BRAC.UT.558-NERO	TRANSLATION CYLINDER	VERIN DE TRANSLATION	VERSCHIEBUNGSZYLINDER
7	6615886	CILINDRO TRASL.CAR.MANDR.558-NERO	TRANSLATION CYLINDER	VERIN DE TRANSLATION	VERSCHIEBUNGSZYLINDER
8	4198599	NIPPLO IDR. 3/8"	"HYDRAULIC NIPPLE 3/8""	"NIPPLE 3/8"" HYDRAULIQUE"	"NIPPEL 3/8""
9	4198598	ROND. RAME RR 3/8" (17x23x1,5)	COPPER WASHER 3/8" 17x23x1,5	RONDELLE EN CUIVRE 3/8" 17x23x1,5	KUPFERSCHEIBE 3/8" 17x23x1,5
10	4195055	CURVA STAMPATA M/F 3/8" GIR.	ELBOW M/F 3/8"	COUDE M/F 3/8"	WINKELSTUECK M/F 3/8"
11	4399256	ROND. RAME 1/4" (13x19x1,5)	COPPER WASHER 1/4" D.13x19x1,5	RONDELLE EN CUIVRE 1/4" D.13x19x1,5	KUPFERSCHEIBE 1/4" D.13x19x1,5
12	4199249	BULLONE RACCORDO FORATO 1/4"	DRILLED UNION BOLT 1/4"	BOULON RACCORD PERCE" 1/4"	LOCHVERSCHRAUBUNG 1/4"
13	6616249	CONTENIMENTO CIL.CARR.AUTOC. -NERO	CYLINDER HOLDER	SOUTIEN VERIN	ZYLINDERHALTER
14	4399951	VITE TE 10x35 8.8	SCREW 10x35	VIS 10x35	SCHRAUBE 10x35
15	4399378	RONDELLA 10 (10,5x21x2)	WASHER D.10 (10,5x21x2)	RONDELLE D.10 (10,5x21x2)	BEILAGSSCHEIBE 10 (10,5x21x2)
16	4399969	DADO M10 6S ALTO ZNT	NUT M10	ECROU M10	MUTTER M10
17	8516525	CARTER CILINDRO TRAVE -GRIGIO 7001	CYLINDER CASING	CARTER VERIN	ZYLINDERSCHUTZBLECH
18	8516527	CARTER MOBILE CIL.TRASV.-GRIGIO 7001	CYLINDER CASING	CARTER VERIN	ZYLINDERSCHUTZBLECH
19	4398723	VITE TE 6x12 8.8	SCREW 6x12	VIS 6x12	SCHRAUBE 6x12
20	4398848	RONDELLA 6 (6,6x18x1,5)	WASHER 6 (6,6x18x1,5)	RONDELLE 6 (6,6x18x1,5)	BEILAGSSCHEIBE 6 (6,6x18x1,5)
21	4399391	VITE TSPEI M 8x25 10.9	SCREW 8x25	VIS 8x25	SCHRAUBE 8x25
22	4399829	RONDELLA 8 (8,4x16x1,5)	WASHER 8 (8,4x16x1,5)	RONDELLE 8 (8,4x16x1,5)	BEILAGSSCHEIBE 8 (8,4x16x1,5)
23	4399976	DADO M 8 6S	NUT M8	ECROU M8	MUTTER M8
24	4399901	VITE TE 8x30 8.8	SCREW 8x30	VIS 8x30	SCHRAUBE 8x30
25	3016323	TUBO 3/16"-R1AT L=3700 -S558	HOSE 3/16"-R1AT L=3700	TUYAU 3/16"-R1AT L=3700	SCHLAUCH 3/16"-R1AT L=3700
26	3016324	TUBO 3/16"-R1AT L=4100 -S558	HOSE 3/16"-R1AT L=4100	TUYAU 3/16"-R1AT L=4100	SCHLAUCH 3/16"-R1AT L=4100
27	3016325	TUBO 3/8"-R1AT L=5300 -S558	HOSE 3/8"-R1AT L=5300	TUYAU 3/8"-R1AT L=5300	SCHLAUCH 3/8"-R1AT L=5300
28	3016328	TUBO 3/8"-R1AT L=4800 -S558	HOSE 3/8"-R1AT L=4800	TUYAU 3/8"-R1AT L=4800	SCHLAUCH 3/8"-R1AT L=4800
29	3016326	TUBO 3/8"-R1AT L=2500 -S558	HOSE 3/8"-R1AT L=2500	TUYAU 3/8"-R1AT L=2500	SCHLAUCH 3/8"-R1AT L=2500



Ref	Code	Descrizione	Description	Description	Beschreibung
1	4297785	BOCCOLA KU 30/34 L.25	BUSH 30/34 L=25	COQUILLE 30/34 L=25	BUECHSE 30/34 L=25
2	3024888	RUOTA RINVIO CATENA D.78-CEMENTATA	CHAIN WHEEL	GALET DE CHAINE	KETTENRAD
3	3016286	RUOTA RINVIO CATENA D.100-CEMENTATA	CHAIN WHEEL	GALET DE CHAINE	KETTENRAD
4	4399982	VITE TE 12x30 8.8 ZNT	SCREW 12x30	VIS 12x30	SCHRAUBE 12x30
5	4398263	RONDELLA 12,5x48x3 SPEC.	WASHER D.12,5x48x3	RONDELLE D.12,5x48x3	BEILAGSSCHEIBE D.12,5x48x3
6	6616474	PROTEZIONE CATENA -NERO	CHAIN PROTECTION	PROTECTION CHAINE	KETTENSCHUTZPLATTE
7	3016540	CATENA TRAVE PORTANTE S558	CHAIN	CHAINE	KETTE
8	3016288	TIRANTE CATENA M16 LUNGO	SCREW STAY M16 - LONG	TIRAN M16 - LONG	SPANNSCHRAUBE M16 - LANG
9	4396935	DADO AUTOBL.M16 ALTO	SELF-LOCKING NUT M16	ECROU DE VERROUILLAGE M16	SELBSTSICHERNDE MUTTER M16
10	4399828	RONDELLA 16 (17x30x3)	WASHER 16 (17x30x3)	RONDELLE 16 (17x30x3)	BEILAGSSCHEIBE 16 (17x30x3)
11	4295588	PERNO PER CATENA BL 423-1/2	CHAIN PIN	AXE POUR CHAINE	KETTENSTIFT
12	4399960	COPIGLIA D.1,6x20	SPLIT PIN D.1,6x20	GOUPILLE D.1,6x20	SPLINT D.1,6x20



S 558**CENTRALINA IDRAULICA - UNITE' HYDRAULIQUE - HYDRAULIC
POWER UNIT - HYDRAULISCHE EINHEIT**

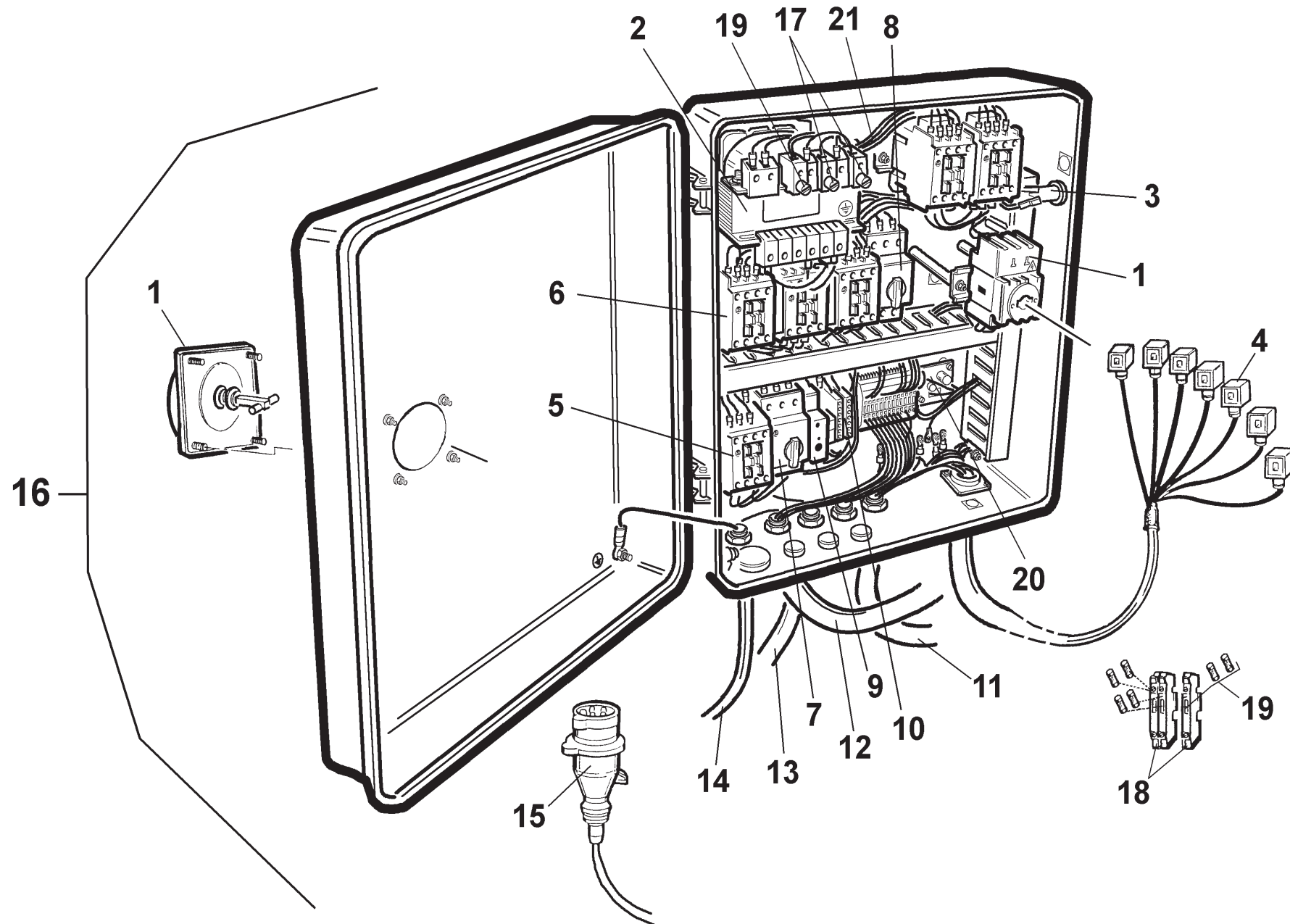
ED. 03/13

TAV.

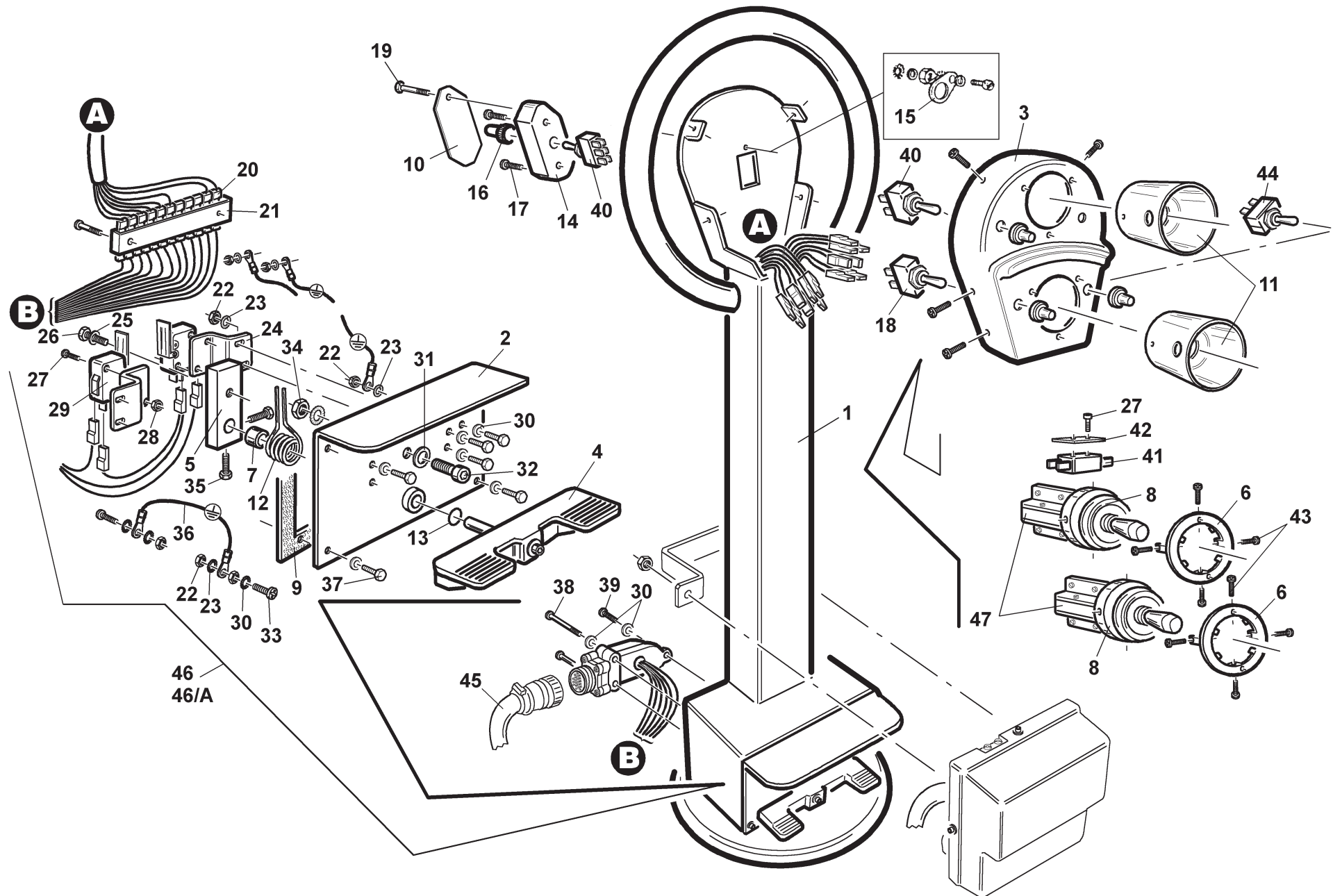
7.0

Ref	Codart	Descrizione	Description	Description	Beschreibung
1	2015153	GR.IDRAULICO C. 2VEL.-S558	HYDRAULIC UNIT	GR. HYDRAULIQUE	HYDRAULIKAGGREGAT
2	2016599	GR.BLOCCHETTO IDR.2 VEL.CON VALV.C.A. 2SPEED HYDR. BLOCK		BLOC HYDRAULIQUE 2 VITESSES	2GSCHW.HYDR. BLOCK
3	3009760	TUBO 3/8" C.I. VERT. L=340	HOSE 3/8" L=340	TUYAU 3/8" L=340	SCHLAUCH 3/8" L=340
4	3010652	TAPPO LIVELLO OLIO 1/2" L=260	OIL LEVEL PLUG 1/2" L=260	BOUCHON NIVEAU HUILE 1/2" L=260	OELSTANDVERSCHRAUBUNG 1/2" L=260
5	4195747	BARILOTTO OT Z 3/8" M L50 ZNT	SPACER 3/8"	ENTRETOISE 3/8"	ABSTANDSTUCK 3/8"
6	4195760	GIUNTO ELASTICO 63 GR2 D24	ELASTIC JOINT GR2 D.24	JOINT ELASTIQUE GR2 D.24	FEDERKUPPLUNG GR2 D.24
7	4195761	LANTERNA GR2-80/90 D.200 HL7SL	FLANGE GR2-80/90 D.200 HL7SL	BRIDE GR2-80/90 D.200 HL7SL	FLANSCH GR2-80/90 D.200 HL7SL
8	4195762	POMPA GR.2 8,3 cc/giro 2PB8.3D-P28P1	PUMP 8,3 cc/giro	POMPE 8,3 cc/giro	PUMPE 8,3 cc/giro
9	4197240	RACC. 90° MF 3/8"	90° UNION MF 3/8"	RACCORD 90° MF 3/8"	90° ANSCHLUSS MF 3/8"
10	4197241	FILTRO OLIO n60 FAM.MS.B2.0	OIL FILTER	FILTRE HUILE	OELFILTER
11	4197600	PASSAPARETE DI CONG.3/8" BSP	UNION 3/8"	RACCORD 3/8"	VERBINDUNGSSTUECK 3/8"
12	4198599	NIPPLO IDR. 3/8"	"HYDRAULIC NIPPLE 3/8" ""	"NIPPLE 3/8" "" HYDRAULIQUE"	"NIPPEL 3/8" ""
13	4198597	NIPPLO IDR. 3/8"-1/4"	HYDRAULIC NIPPLE 3/8"-1/4"	NIPPLE HYDRAULIQUE 3/8"-1/4"	HYDRAULIKNIPPEL 3/8"-1/4"
14	4199249	BULLONE RACCORDO FORATO 1/4"	DRILLED UNION BOLT 1/4"	BOULON RACCORD PERCE" 1/4"	LOCHVERSCHRAUBUNG 1/4"
15	4199257	NIPPLO IDR. 1/4"-h.7mm	NIPPLE 1/4" - h.7 mm.	NIPPLE 1/4" - h. 7 mm.	ANSCHLUSS 1/4"- H.7 mm.
16	4399121	VITE STEI 6x6 P.P.	SCREW 6x6	VIS 6x6	SCHRAUBE 6x6
17	4399827	VITE TE 8x20 8.8	SCREW 8x20	VIS 8x20	SCHRAUBE 8X20
18	6616265	COPERCHIO SERBATOIO -NERO	TANK COVER	COUVERCLE RESERVOIR	TANKDECKEL
19	6616563	SERBATOIO SALDATO -NERO	TANK	RESERVOIR	TANK
20	4197011	TAPPO TMG 1/4	STOPPER	BOUCHON	PFROPFEN
21	4595803	MOT.3PH 230/400V.50HZ Kw3 B5	MOTOR 3PH 230/400V 50HZ	MOTEUR 3PH 230/400V 50HZ	MOTOR 3PH 230/400V 50HZ
22	4399228	VITE TE 10x25 8.8	SCREW 10x25	VIS 10x25	SCHRAUBE 10x25
23	6616268	LAMIERA SUPP.CENTR.SALDATA -NERO	HYDR. UNIT SUPPORT METAL SHEET	SUPPORT CENTRALE HYDRAULIQUE	HYDRAULIKAGGREGATSTUETZBLECH
24	4195758	FLANGIA 90° 3/8" GR.1-2 I=30	FLANGE 90° 3/8" GR.1-2 I=30	BRIDE 90° 3/8" GR.1-2 I=30	FLANSCH 90° 3/8" GR.1-2 I=30
25	4198598	ROND. RAME RR 3/8" (17x23x1,5)	COPPER WASHER 3/8" 17x23x1,5	RONDELLE EN CUIVRE 3/8" 17x23x1,5	KUPFERSCHEIBE 3/8" 17x23x1,5
26	4197684	TAPPO MASC.TMG 3/8	PLUG 3/8"	BOUCHON MALE 3/8"	PFROPFEN 3/8"
27	4197621	GIUNZIONE ORIENT.M.F.60001 3/8	UNION 3/8"	RACCORD 3/8"	ANSCHLUSS 3/8"
28	4399967	DADO M10 6S BASSO ZNT	NUT M10	ECROU M10	MUTTER M10
29	4399256	ROND. RAME 1/4" (13x19x1,5)	COPPER WASHER 1/4" D.13x19x1,5	RONDELLE EN CUIVRE 1/4" D.13x19x1,5	KUPFERSCHEIBE 1/4" D.13x19x1,5
30	4399829	RONDELLA 8 (8,4x16x1,5)ZNT6592	WASHER 8 (8,4x16x1,5)	RONDELLE 8 (8,4X16X1,5)	BEILAGSSCHEIBE 8 (8,4x16x1,5)
31	4399935	VITE TE 8x25 8.8	SCREW 8X25	VIS 8x25	SCHRAUBE 8x25
32	4399863	RONDELLA 8 (9x24x2) ZNT	WASHER 8 (9x24x2)	RONDELLE 8 (9x24x2)	BEILAGSSCHEIBE 8 (9x24x2)

Ref	Codart	Descrizione	Description	Description	Beschreibung
33	4399432	VITE TCEI M10x18 12.9	SCREW 10x18	VIS 10x18	SCHRAUBE 10x18
34	4399134	VITE TCEI M 8x30 8.8	SCREW 8x30	VIS 8x30	SCHRAUBE 8x30
35	6616299	LAMIERA PORTAOGGETTI SAL. -NERO	TOOLING SHELF	CONSOLE PORTE-OUTILS	WERKZEUGTRAGBRETT
36	3016302	TUBO SUPPORTO LEVA -BRUNITO	LEVER SUPPORT PIPE	TUYAU SUPPORT LEVIER	HEBELSTUETZROHR
37	3017055	CAVALLOTTO PASSAGUAINA -BRUNITO	U-BOLT	CRAMPILLON	U-BUEGEL
38	4399827	VITE TE 8x20 8.8	SCREW 8x20	VIS 8x20	SCHRAUBE 8X20
39	4399124	VITE TE 4x16 8.8 ZNT	SCREW 4x16	VIS 4x16	SCHRAUBE 4x16
40	4399903	RONDELLA 4 (4,5x12x1,5)	WASHER 4 (4,5x12x1,5)	RONDELLE 4 (4,5x12x1,5)	BEILAGSSCHEIBE 4 (4,5x12x1,5)
41	4399703	ROND. DEN.ES."A" 4,3x8x0,5	TOOTHED WASHER 4,3x8x0,5	RONDELLE DENTEE 4,3x8x0,5	ZAHNSCHEIBE 4,3X8X0,5
42	4399996	DADO M 4 6S ALTO ZNT	NUT M4	ECROU M4	MUTTER M4
43	4196137	VALV.IDR.BILANCIAMENTO DOPPIO EFF.	STOP VALVE	SOUPAPE DE BLOCAGE	ABSPERRVENTIL
44	3018462	TUBO 1/4" -N- L=270 VALV.BLOCC.	1/4" HOSE -N- L=270	TUYAU 1/4" -N- L=270	1/4" ROHR -N- L=270
45	4197297	RACCORDO OCCHIO 1/4"-1/4" BSP	UNION 1/4"	RACCORD 1/4"	ANSCHLUSS 1/4"



Ref	Code	Descrizione	Description	Description	Beschreibung
1	4595408	INTERRUTTORE CENTRALINA	SWITCH	INTERRUPTEUR	SCHALTER
2	4595407	TRASFORMATORE	TRANSFORMER	TRANSFORMATEUR	TRAFO
3	4599160	SPIA BIANCA COMPL.	PILOT LIGHT	LAMPE TEMOIN	KONTROLLICHT
4	2027618	CABLAGGIO CAVI ELETTROVALV.	SOLENOID VALVE WIRING	CABLAGE ELECTROVANNE	MAGNETVENTILVERKABELUNG
5	4595406	TELERUTTORE MOT. POMPA	MOT. PUMP SWITCH	TELERUPTEUR MOT. POMPE	MOT. PUMPE SCHALTER
6	4595405	TELERUTTORE MOT. MANDR.	MOT. CHUCK SWITCH	TELERUPTEUR MOT. MANDRIN	MOT. SPINDEL SCHALTER
7	4597932	SALVAMOTORE S.551 10-16A	OVERLOAD CUTOOUT 10-16A	DISJONCTEUR 10-16A	UEBERLASTSCHALTER 10-16A
8	4597274	SALVAMOTORE S558 6,3-10A	OVERLOAD CUTOOUT 6,3-10A	DISJONCTEUR 6,3-10A	UEBERLASTSCHALTER 6,3-10A
9	4595403	TIMER	TIMER	TEMPORISATEUR	ZEITGEBER
10	4595402	RELAIS 1 SCAMBIO	RELAY	RELAIS	RELAIS
11	2001284	CABLAGGIO C.MOTORE CENTRALINA	HARNESS	CABLAGE	KABELVERBINDUNG
12	2015276	CABLAGGIO CAVI 1^VEL.AUTOC.	1. SPEED CABLE	CABLE 1. VITESSE	1. GESCHW. KABEL
13	2015277	CABLAGGIO CAVI 2^VEL.AUTOC	2. SPEED CABLE	CABLE 2. VITESSE	2. GESCHW. KABEL
14	2000519	CAVO ALIMENTAZIONE TRIFASE	FEEDING CABLE 3PH	CABLE ALIMENTATION 3 PH	SPEISEKABEL 3PH
15	4598058	SPINA EL.3PH 16A CEE	ELECTRICAL PLUG 3PH 16A	FICHE 3PH 16A	STECKER 3PH 16A
16	2014260	CENTRAL.ELETTR.559 3PH 50Hz CE	ELECTRIC UNIT 3PH 50HZ CE	UNITE ELECTRIQUE 3PH 50HZ CE	ELEKTROANLAGE 3PH 50HZ CE
17	4597984	FUSIBILE VETRO 1 A T 250V 5x20	FUSE 1 A 5x20 T 250V	FUSIBLE 1 A 5X20 T 250V	SCHMELZSICHERUNG 250V
18	4597985	PORTAFUSIBILE A CASS. 551	FUSE CARRIER	TABLEAU DES FUSIBLES	SICHERUNGSKOERPER
19	4597707	FUSIBILE VETRO 5A T 250V. 5x20	FUSE 5A T 250V. 5x20	FUSIBLE 5A T 250V. 5x20	SCHMELZSICHERUNG 5A T 250V. 5x20
20	4595764	SCHEDA FILTRO 24Vac - 24Vdc	FILTER BOARD 24Vac - 24Vdc	CARTE FILTRE 24Vac - 24Vdc	FILTER PLATINE 24Vac - 24Vdc
21	4596647	PONTE A DIODI	DIODE BRIDGE	PONT A" DIODES	DIODENBRUECKE



Ref	Code	Descrizione	Description	Description	Beschreibung
1	6616521	BASAMENTO PEDALIERA -NERO	CONTROL UNIT FRAME	EMBASE PEDALIER	STEUERPULTRAHMEN
2	6616639	COPERCHIO SCATOLA PED. -NERO	PEDAL UNIT COVER	COUVERCLE PEDALES	PEDALENABDECKUNG
3	3016526	COPERTURA PEDALIERA-ABS NERO	COVER	COUVERCLE	DECKEL
4	2401100	PEDALE A BILANCIERE C.	PEDAL	PEDALE A' BALANCIER	PEDAL
5	3001131	LEVA COMANDO MICRO	CONTROL LEVER	LEVIER DE COMMANDE	STEUERHEBEL
6	3016505	SUPPORTO JOYSTICK -BRUN.	JOYSTICK SUPPORT	SUPPORT JOYSTICK	JOYSTICK STUETZRING
7	3001135	DISTANZIALE PER PEDALE	SPACER	ENTRETOISE	DISTANZSTUECK
8	3001137	CUFFIA PER MANIPOLATORE	COVER	CAPOT	HAUBE
9	3001138	GUARNIZIONE PER SCATOLA	SEAL	JOINT	DICHTUNG
10	3005718	COP.X PROTEZ. INTERRUTTORE	SWITCH COVER	PROTECTION INTERRUPTEUR	SCHALTERSCHUTZ
11	3016960	PROTEZIONE MANIPOLATORE S558	JOYSTICK PROTECTION	PROTECTION JOYSTICK	JOYSTICKSCHUTZ
12	3007133	MOLLA COMANDO PEDALE	PEDAL CONTROL SPRING	RESSORT COMMANDE PEDALE	PEDALFEDER
13	4299223	ANELLO OR 3056 D.13,94X2,62	O-RING 13,94x2,62	JOINT OR D.13,94x2,62	O-RING D.13,94X2,62
14	3006791	SUPPORTO PLASTICA X INTERRUT.	PLASTIC SUPPORT	SUPPORT EN PLASTIQUE	KUNSTSTOFFSTUETZE
15	3005928	PIASTRINA X CAVO TERRA	GROUND CABLE PLATE	PLAQUETTE POUR CABLE TERRE	ERDKABELPLAETTCHEN
16	4599125	PROTEZIONE LEVETTA COMMUTATORE	LEVER COVER	PROTECTION LEVIER	HEBELSCHUTZ
17	4399091	VITE AUTOF.TCI 3,5x13	SELF-TAPPING SCREW 3,5x13	VIS AUTOTARADEUSE 3,5x13	BLECHSCHRAUBE 3,5x13
18	4594960	DEVIATORE A 3 ALETTE	SWITCH	COMMUTATEUR	SCHALTER
19	4399229	VITE TE 6x10 8.8	SCREW 6x10	VIS 6x10	SCHRAUBE 6X10
20	4599157	DIODO A VALANGA	DIODE	DIODE	DIODE
21	4599220	MORSETTIERA MAMUTH OK 1333 NR	TERMINAL BOARD	BOITE A" BORNES	KLEMMENBRETT
22	4399996	DADO M 4 6S ALTO ZNT	NUT M4	ECROU M4	MUTTER M4
23	4399703	ROND. DEN.ES."A" 4,3x8x0,5	TOOTHED WASHER 4,3x8x0,5	RONDELLE DENTEE 4,3x8x0,5	ZAHNSCHEIBE 4,3X8X0,5
24	3001143	SQUADRETTA PER MICROINTERRUTT.	SQUADRETTA X MICROINTERRUTT.	PLAQUE	HALTERUNG
25	4399998	RONDELLA 6 (6,4x12x1,6)	WASHER 6 (6,4x12x1,6)	RONDELLE 6 (6,4x12x1,6)	BEILAGSSCHEIBE 6 (6,4x12x1,6)
26	4399090	VITE TE 6x30 8.8	SCREW 6x30	VIS 6x30	SCHRAUBE 6X30
27	4399123	VITE TC 3x20	SCREW 3x20	VIS 3x20	SCHRAUBE 3x20
28	4399127	DADO M 3 6S	NUT M3	ECROU M3	MUTTER M3
29	4599219	MICROINTERRUTTORE PEDALIERA	MICROSWITCH	MICRO	MICROSCHALTER
30	4399903	RONDELLA 4 (4,5x12x1,5)	WASHER 4 (4,5x12x1,5)	RONDELLE 4 (4,5x12x1,5)	BEILAGSSCHEIBE 4 (4,5x12x1,5)
31	4399829	RONDELLA 8 (8,4x16x1,5)	WASHER 8 (8,4x16x1,5)	RONDELLE 8 (8,4X16X1,5)	BEILAGSSCHEIBE 8 (8,4x16x1,5)
32	4399954	VITE TCEI M 8x20 8.8	SCREW 8x20	VIS 8x20	SCHRAUBE 8x20
33	4399905	VITE TE 4x12 8.8	SCREW 4x12	VIS 4x12	SCHRAUBE 4x12
34	4399976	DADO M 8 6S	NUT M8	ECROU M8	MUTTER M8
35	4399229	VITE TE 6x10 8.8	SCREW 6x10	VIS 6x10	SCHRAUBE 6X10

Ref	Code	Descrizione	Description	Description	Beschreibung
36	2001300	CAVO CORTO PRESA TERRA PEDAL.	CABLE	CABLE	KABEL
37	4399222	VITE IMPERITURA M 4x14	SCREW M4x14	SCHRAUBE M 4x14	VIS M4x14
38	4399860	VITE TE 4x40 8.8 P.F.	SCREW 4x40	VIS 4x40	SCHRAUBE 4x40
39	4399124	VITE TE 4x16 8.8 ZNT	SCREW 4x16	VIS 4x16	SCHRAUBE 4x16
40	4599221	COMMUTATORE A LEVETTA	LEVER COMMUTATOR	COMMUTATEUR PAR LEVIER	HEBELUMSCHALTER
41	4599129	MICROINTERRUPTORE MANIPOLATORE	MICROSWITCH	MICRO	MICROSCHALTER
42	4599128	PIASTRINA FISS.MICROINTERRUTT.	PLATE	PLAQUE FIXAGE MICROINTERRUPT.	MICROSCHALTERSCHEIBE
43	4397734	VITE AUTOF.TCIC2,9x12,7	SELF-TAPPING SCREW 2,9x12,7	VIS AUTOTARADEUSE 2,9x12,7	BLECHSCHRAUBE 2,9x12,7
44	4594961	INTERRUPTORE A 9 ALETTE	SWITCH	COMMUTATEUR	SCHALTER
45	2027617	CABLAGGIO CAVI PEDAL. S558	CABLE	CABLE	KABEL
46	2016295	PEDALIERA COMANDO 558 CE-NERA	PEDAL CONTROL UNIT	PEDALIER COMMANDE	PEDALSTEUEREINHEIT
46/A	2016294	PEDALIERA COMANDO 558 CE-NERA + CAVO	PEDAL CONTROL UNIT	PEDALIER COMMANDE	PEDALSTEUEREINHEIT
47	3595987	MANIPOLATORE S551 S/CUFFIA	MANIPULATOR	MANIPULATEUR	MANIPULATOR

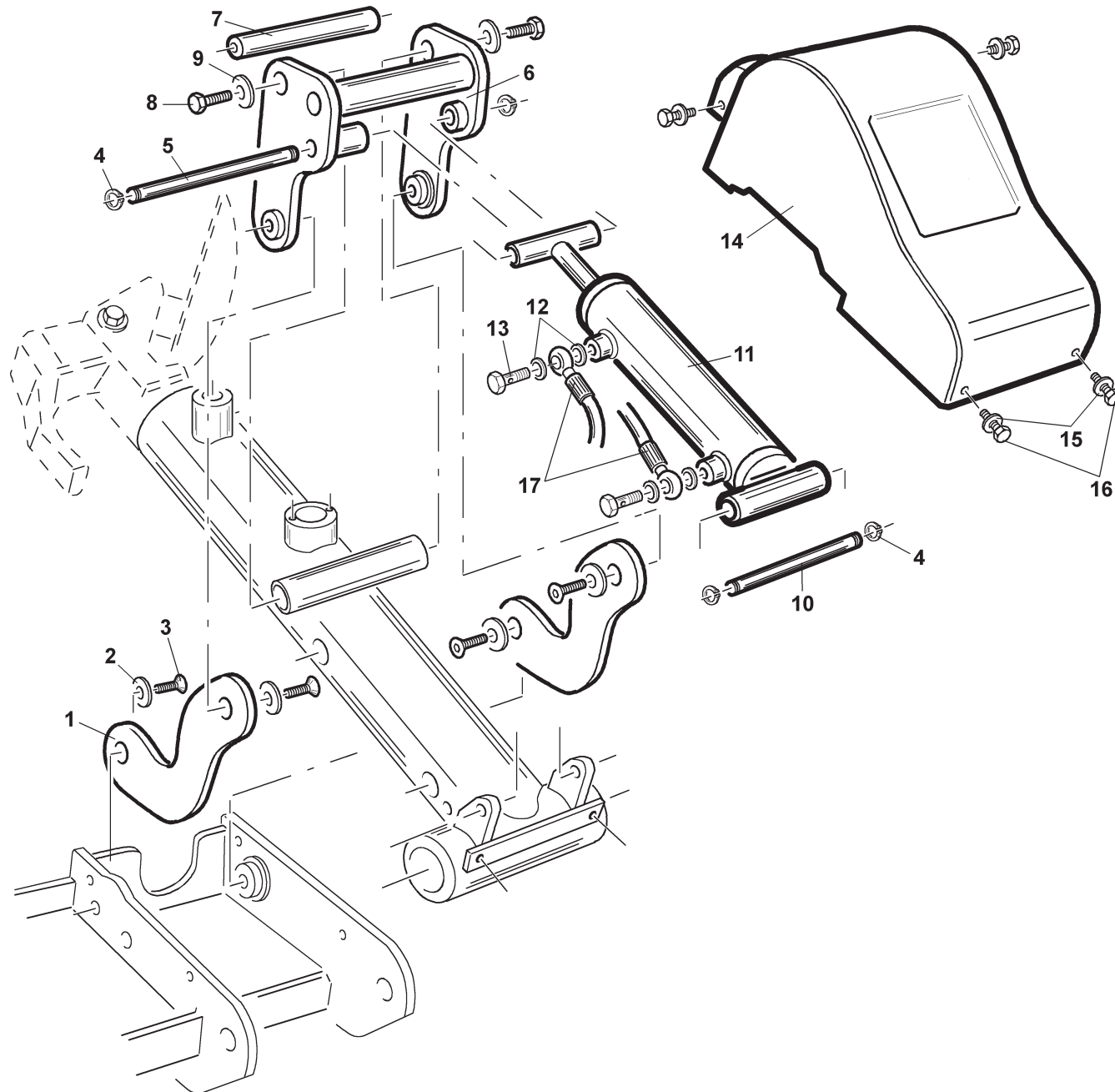
S 558

**UTENSILE MOBILE - MOBILE TOOL - OUTIL
MOBILE - FAHRBARES WERKZEUG**

ED. 03/13

TAV.

10.0



Ref	Code	Descrizione	Description	Description	Beschreibung
1	3016225	BIELLA ATTACC.FORCELLA B.UT.	CONNECTING ROD	BIELLE	TREIBSTANGE
2	3016238	RONDELLA SVASATA BRACCIO UT.	WASHER	RONDELLE	BEILAGSSCHEIBE
3	4396349	VITE TSPEI M12x30 10.9	SCREW 12x30	VIS 12x30	SCHRAUBE 12x30
4	4398686	ANELLO SEEGER E D.16	SEEGER RING D.16	BAGUE SEEGER D.16	SEEGER RING D.16
5	3016258	PERNO X CILINDRO FORCELLA	PIN	AXES	STIFT
6	2116232	FORCELLA BLOCC.BRACCIO UT.	ARM LOCK PIECE	FOURCHE BLOCAGE BRAS	ARMEINSPANNSTK
7	3016240	PERNO BLOCC.BRACCIO UT.	ARM LOCKING PIN	AXE BLOCAGE BRAS	ARMEINSPANNBOLZEN
8	4399982	VITE TE 12x30 8.8 ZNT	SCREW 12x30	VIS 12x30	SCHRAUBE 12x30
9	4398263	RONDELLA 12,5x48x3 SPEC.	WASHER D.12,5x48x3	RONDELLE D.12,5x48x3	BEILAGSSCHEIBE D.12,5x48x3
10	3016259	PERNO X CIL.RIBALTAMENTO	TILTING CYLINDER PIN	AXE VERIN BASCUL.	UMKIPPZYLINDERBOLZEN
11	6616067	CILINDRO RIBALT.BRACCIO UT. S558	ARM TILTING CYLINDER	VERIN BASCUL. BRAS	ARMUMKIPPZYLINDER
12	4399256	ROND. RAME 1/4" (13x19x1,5)	COPPER WASHER 1/4" D.13x19x1,5	RONDELLE EN CUIVRE 1/4" D.13x19x1,5	KUPFERSCHEIBE 1/4" D.13x19x1,5
13	4199249	BULLONE RACCORDO FORATO 1/4"	DRILLED UNION BOLT 1/4"	BOULON RACCORD PERCE" 1/4"	LOCHVERSCHRAUBUNG 1/4"
14	3016320	CARENAT.BRACCIO UT.558/9-ABS NERO	ARM FRAME	CADRE DE BRAS	ARMGESTELL
15	4399829	RONDELLA 8 (8,4x16x1,5)	WASHER 8 (8,4x16x1,5)	RONDELLE 8 (8,4X16X1,5)	BEILAGSSCHEIBE 8 (8,4x16x1,5)
16	4399305	VITE TE 8x12 8.8	SCREW 8x12	VIS 8x12	SCHRAUBE 8x12
17	3016327	TUBO 3/16"-R1AT L=4700 -S558	HOSE 3/16"-R1AT L=4700	TUYAU 3/16"-R1AT L=4700	SCHLAUCH 3/16"-R1AT L=4700

Ref	Code	Descrizione	Description	Description	Beschreibung
1	6616230	BRACCIO UTENSILE S558/9	TOOL ARM	BRAS OUTIL	WERKZEUGARM
2	6615073	CILINDRO ROT.UT. D.50 C=105	CYLINDER	VERIN	ZYLINDER
3	2116564	PERNO SNODO BRACCIO UT.-ZNT.	ARTICULATION PIN	AXE ARTICULATION	GELENKSTIFT
4	3001067	RONDELLA FERMO ASTA E PERNO	WASHER	RONDELLE	BEILAGSSCHEIBE
5	4399302	VITE TE 14x30 8.8	SCREW 14x30	VIS 14x30	SCHRAUBE 14x30
6	4399434	VITE TE 12x20 8.8	SCREW 12x20	VIS 12x20	SCHRAUBE 12x20
7	3014369	PERNO CIL.ROTAZ. D16 L110	ROT. CYLINDER PIN	AXE VERIN ROTATION	DREHZYLINDERSTIFT
8	4398686	ANELLO SEEGER E D.16	SEEGER RING D.16	BAGUE SEEGER D.16	SEEGER RING D.16
9	4399256	ROND. RAME 1/4"	COPPER WASHER 1/4" D.13x19x1,5	RONDELLE EN CUIVRE 1/4" D.13x19x1,5	KUPFERSCHEIBE 1/4" D.13x19x1,5
10	3017060	COLONNETTA M/F 1/4" H=16 h=8,5	FERRULE M/F 1/4" H=16 h=8,5	COLONNETTE M/F 1/4" H=16 h=8,5	BUECHSE M/F 1/4" H=16 h=8,5
11	3015911	BULLONE FORATO 1/4" G L=22	DRILLED BOLT 1/4" G L=22	BOULON PERCE` 1/4" G L=22	LOCHBOLZEN 1/4" G L=22
12	3014509	DISTANZIALE -CEMENTATO	SPACER	ENTRETOISE	ABSTANDSSTUECK
13	4399963	DADO AUTOBL.M16 BASSO	SELF-LOCKING NUT M16	ECROU DE VERROUILLAGE M16	SELBSTSICHERNDE MUTTER M16
14	2114371	MOZZO ROTAZIONE UTENS.558	ROTATION HUB	MOYEU ROTATION	DREHNABE
15	3014372	PERNO ROTAZ.UT.-TEMPRATO	PIN	AXE	STIFT
16	3016269	CAVALLOTTO BRACCIO UT. BRUNITO	U-BOLT	CRAMPILLON	U-BUEGEL
17	4399829	RONDELLA 8 (8,4x16x1,5)	WASHER 8 (8,4x16x1,5)	RONDELLE 8 (8,4X16X1,5)	BEILAGSSCHEIBE 8 (8,4x16x1,5)
18	4399946	VITE TE 8x16 8.8	SCREW 8x16	VIS 8x16	SCHRAUBE 8x16
19	4399229	VITE TE 6x10 8.8	SCREW 6x10	VIS 6x10	SCHRAUBE 6X10
20	4399957	VITE STEI 6x8 P.COPPA	SCREW 6x8	VIS 6x8	SCHRAUBE 6x8
21	3014373	PERNO OTTURATORE-TEMPRATO	PIN	AXE	STIFT
22	3000036	MOLLA PER PERNO BLOCC. LAT.	SPRING	RESSORT	FEDER
23	3014374	BUSSOLA OTTURATORE-BRUN.	BUSH	DOUILLE	BUECHSE
24	4295750	POMOLO PLASTICA D.50 M12 F	PLASTIC KNOB D.50 M12	POMMEAU PLASTIQUE D.50 M12	KUNSTSTOFFGRIFF D.50 M12
25	4399981	RONDELLA 12 (13x24x2,5)	WASHER 12 (13x24x2,5)	RONDELLE 12 (13x24x2,5)	BEILAGSSCHEIBE 12 (13x24x2,5)
26	2114736	MONOSTAFFA 558 - BRUN.	SUPPORT	SUPPORT	STUETZE
27	2110835	UTENSILE LUNGO - BRUN.	LONG MOUNTING TOOL	OUTIL DE MONTAGE	MONTIERWERKZEUG
28	2110857	DISCO STALLON. GRANDE-BRUN.	BEAD BREAKING DISK	DISQUE DECOLLE-TALONS	WULSTABDRUECKPLATTE
29	3001266	MOLLA D.18 L=72	SPRING D.18 L=72	RESSORT D.18 L=72	FEDER D.18 L=72
30	3010831	PERNO DISCO UT. DOPPIO-RETTIF.	PIN	AXE	STIFT
31	3010837	PERNO FIL. PER UTENSILE-BRUNITO	THREADED PIN	AXE TARAUDE	GEWINDESTIFT
32	3010841	GANCIO ATTACCO MOLLA-	SPRING CONNECTION	CROCHET ATTACHE RESSORT	FEDERKUPPLUNGSHAKEN
33	3010893	BOCCOLA DISCO STALLONATORE	BUSH	DOUILLE	BUECHSE
34	4396915	ANELLO COMPENSAZ. 41x52Ex0,5	RING 41x52Ex0,5 (3)	JOINT 41x52Ex0,5 (3)	RING 41x52Ex0,5 (3)

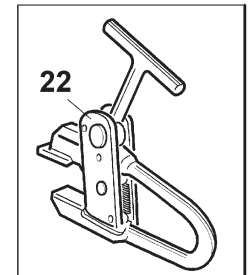
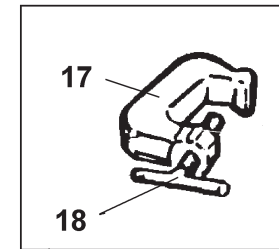
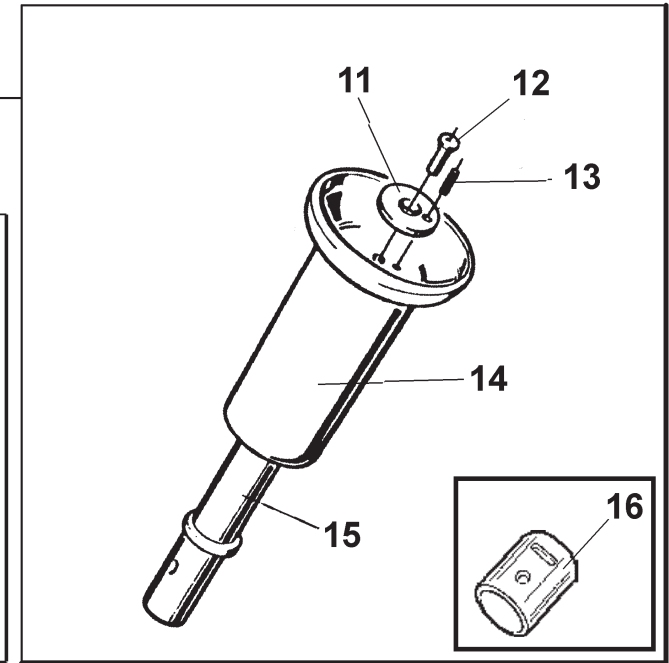
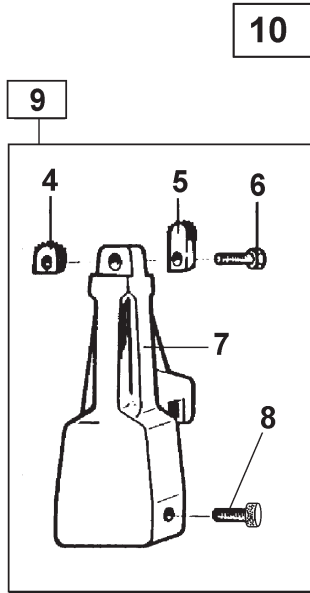
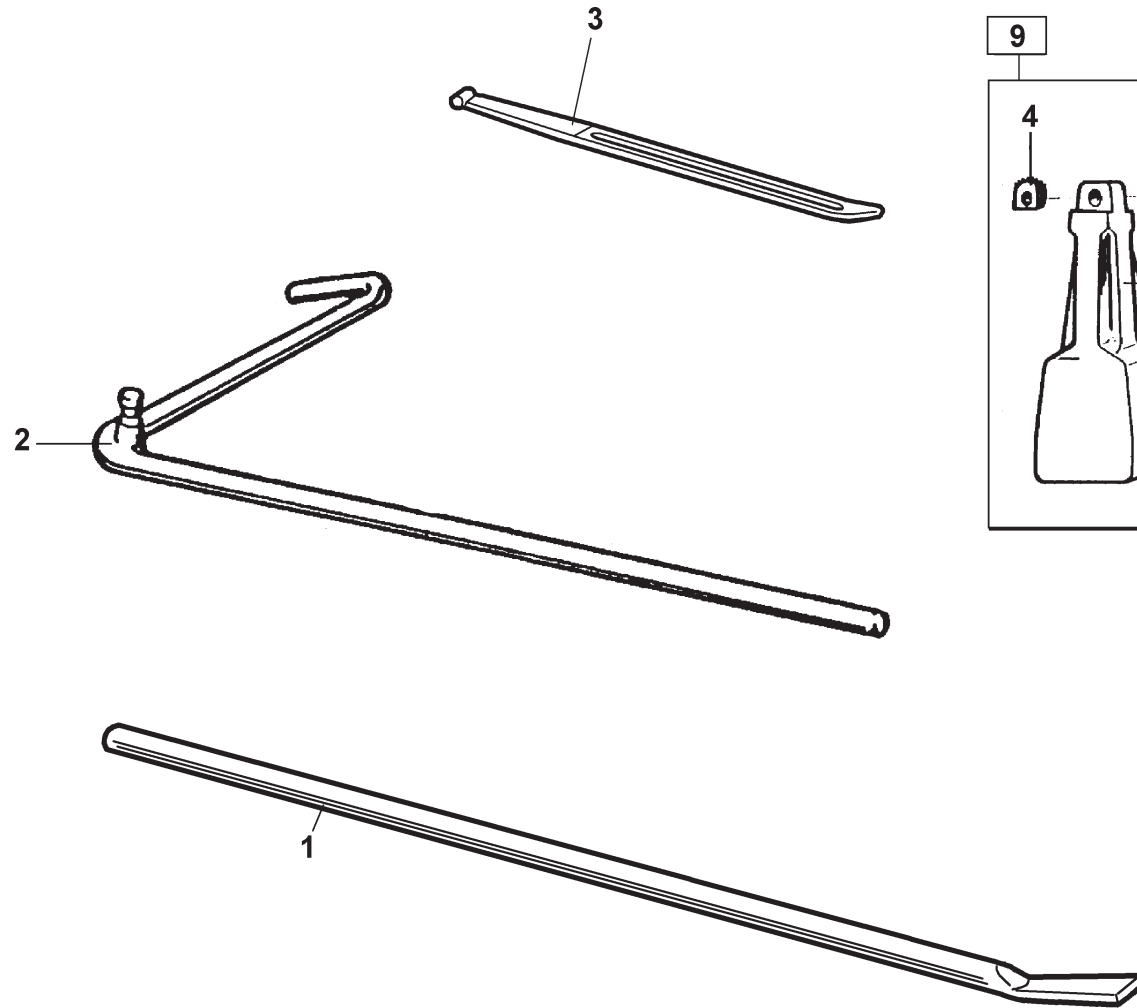
S 558**UTENSILE MOBILE - MOBILE TOOL - OUTIL
MOBILE - FAHRBARES WERKZEUG**

ED. 03/13

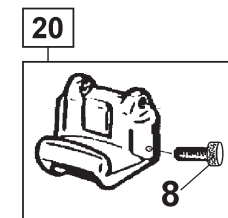
TAV.

11.0

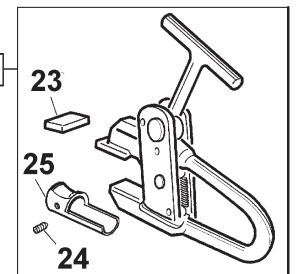
Ref	Code	Descrizione	Description	Description	Beschreibung
35	4396916	DADO AUTOBL.M27x3 BASSO	SELF-LOCKING NUT 27x3	ECROU DE VERROUILLAGE 27x3	SELBSTSICHERNDE MUTTER 27x3
36	4399295	DADO M16 6S BASSO ZNT	NUT M16	ECROU M16	MUTTER M16
37	4399207	INGRASSATORE M6 (A)DRITTO	LUBRICATOR M6	GRAISSEUR M6	SCHMIERER M6
38	2014377	GR.UTENSILE DOPPIO 558	DOUBLE TOOL	OUTIL DOUBLE	DOPPELWERKZEUG



19



26



Ref	Code	Descrizione	Description	Description	Beschreibung
1	6601002	LEVA ALZATALLONI SMTG CAMION	LEVIER DECOLLE-TALONS	LONG BEAD LIFTING LEVER	WULSTAUSDRUECKHEBEL
2	9299269	141/90 LEVA GUIDA TALLONI	141/90 LEVIER GUIDE TALLONS	141/90 BEAD GUIDE LEVER	141/90 WULSTFUSSFUEHRUNGSHEBEL
3	3001061	LEVA PER CERCHIETTI	LEVIER POUR TRINGLES	SHORT TYRE LEVER	HEBEL f. WULSTKERNE
4	3001315	GRIFFA A SETTORE	MORS A' SECTEUR	CLAMP	GREIFER
5	3001313	GRIFFA CON FERMO	MORS AVEC ARRET	CLAMP	KLAUE m. ANSCHLAG
6	4399089	VITE TE 12x40 8.8 5739	VIS	SCREW	SCHRAUBE TE M12X 40 8.8
7	3001314	PROLUNGA AUTOCENTRANTE	RALLONGE AUTOCENTREUR	EXTENSION	VERLAENGERUNG
8	3001384	VITE AD ALETTE M8 SPECIALE	VIS SPECIAL M8	SCREW	SONDERDAUMENSCHRAUBE M8
9	2001316	PROLUNGA AUTOCENTRANTE COMPL.	RALLONGE POUR AUTOCENTREUR	EXTENSION	SELBSTZENTR. VERLAENGERUNG
10	9299274	135/90 RULLO MONTAGG. TUBELESS	135/90 GALET POUR TUBELESS	135/90 TUBELESS ROLLER	135/90 TUBELESS MONTIERROLLE
11	3001307	RONDELLA RULLO PER TUBELESS	RONDELLE	WASHER	BEILAGSSCHEIBE
12	4399119	SPINA ELASTICA D.6x10	CHEVILLE ELASTIQUE D.6x10	ELASTIC PIN D.6x10	FEDERSTIFT D 6X 10
13	4399120	VITE TSPEI M10x20	VIS 10x20	SCREW 10x20	SCHRAUBE 10X20
14	3001308	RULLO MONTAGGIO TUBELESS	GALET MONTAGE TUBELESS	ROLLER	MONTIERROLLE
15	3001309	STELO PER RULLO	TIGE POUR ROULEAU	SHAFT	STANGE
16	9214078	268/04 KIT ADATT.RULLO TUB.	268/04 ADAPTATEUR ROULEAU	268/04 ROLLER ADAPTOR	268/04 ROLLEN-ADAPTER
17	3001311	MORSETTO	BORNE	CLAMP	KLEMME
18	3001310	VITE PER MORSETTO	VIS POUR MORS	SCREW	SCHRAUBE f. KLEMME
19	2001312	MORSETTO CON VITE COMPL.	ETAU AVEC VIS	CLAMP WITH SCREW	SCHRAUBKLOBEN
20	2001302	GRIFFA PER CERCHI IN LEGA	MORS POUR JANTES EN ALLIAGE	CLAMP FOR ALLOY RIM	KLAUE f. ALU-FELGEN
22	2001059	PINZA PER CERCHIONI	PINCE POUR JANTES	PLIER	ZANGE f. FELGEN
23	3001304	TASSELLO SUPERIORE PINZA	GOUJON	SCREW ANCHOR	DUEBEL
24	4399121	VITE STEI 6x6 P.P. 5923	VIS 6x6	SCREW 6x6	SCHRAUBE 6x6
25	3001303	MANICOTTO INFERIORE PINZA	MANCHON INFERIEUR PINCE	LOWER COUPLING	MUFFE
26	9299271	138/90 PINZA X CERCHI IN LEGA	138/90 PINCE POUR JANTES EN	138/90 PLIERS FOR ALLOY RIMS	138/90 GREIFZANGE f. ALUFELGEN



GIULIANO INDUSTRIAL
- Via Guerrieri, 6 - 42015 Correggio (RE)
Tel. 39 0522 731.111 - Fax. 39 0522 633.109
<http://www.giuliano-automotive.com>
e-mail: info@giuliano-automotive.com