



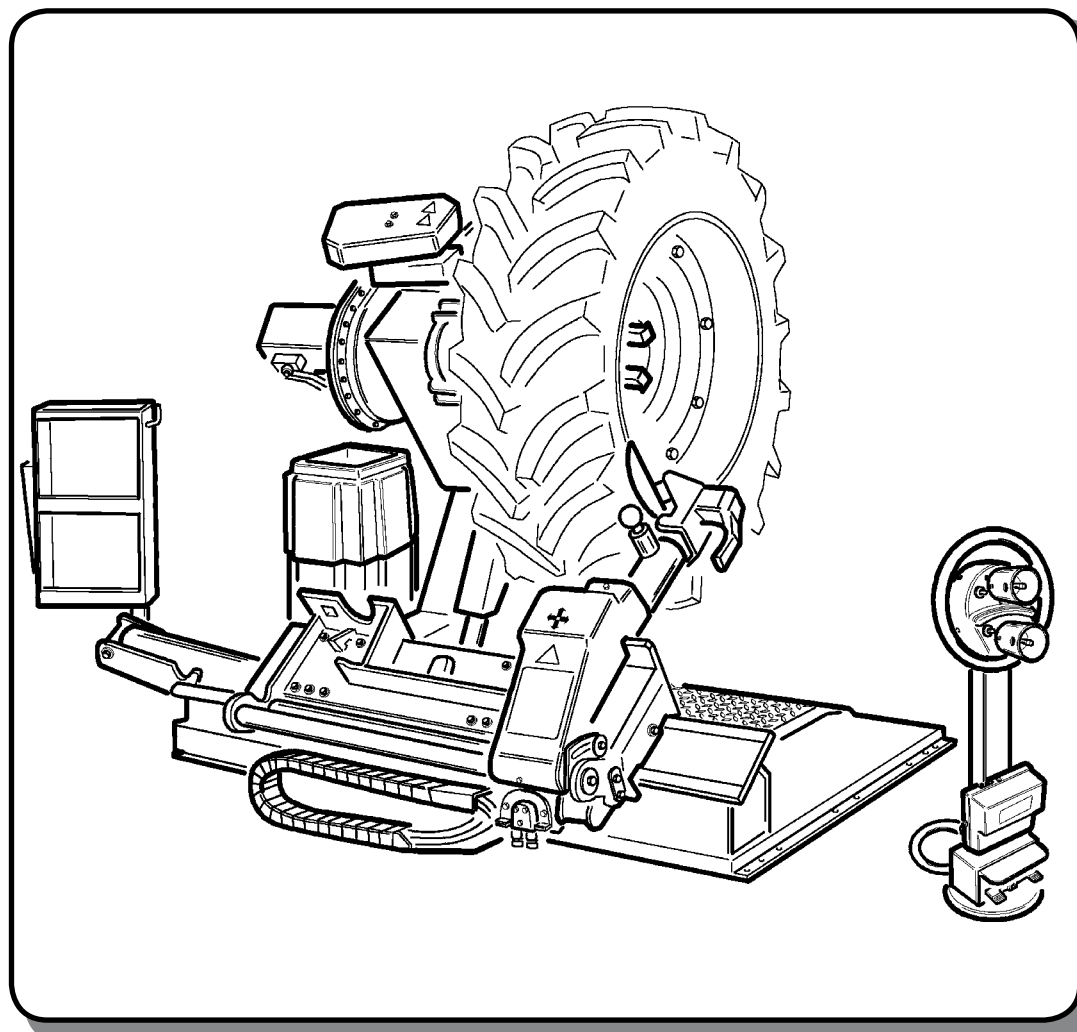
CATALOGO RICAMBI ORIGINALI - ORIGINAL SPARE PARTS

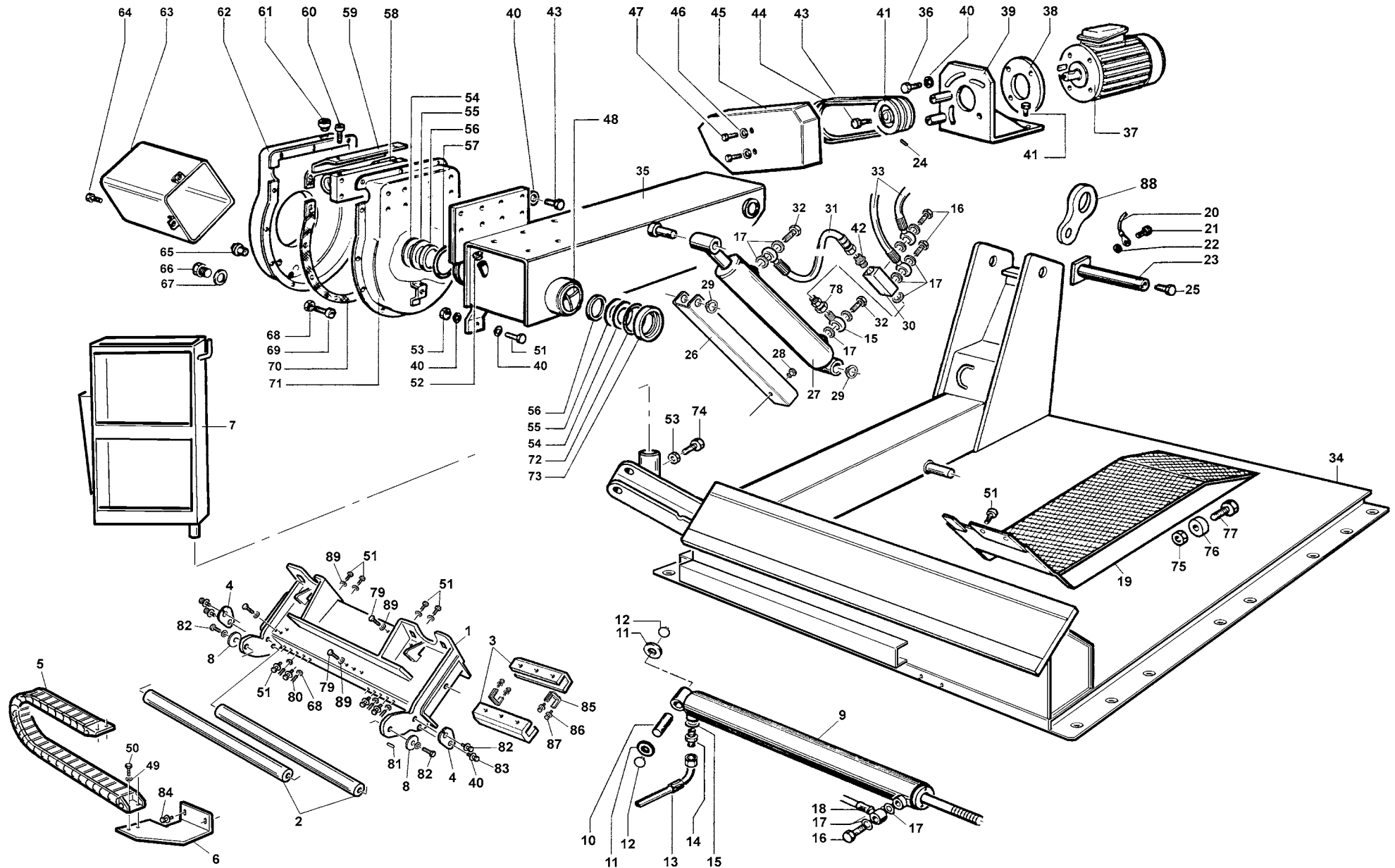
Ed. 03/2015

CATALOGUE PIECES D'ORIGINE - ORIGINALSATZTEILE

S 560

Cod. 3018289





Ref	Codart	Descrizione	Description	Description	Beschreibung
1	5631058	CARRELLO SUPP.BRACCIO UTENSILE	CHARIOT COMPLET	SADDLE	ROLLGESTELL
2	3017600	ASTA D.50 X BRACCIO UT. S560	TIGE D.50	SHAFT D.50	STANGE D.50
3	3018643	PATTINO SUP.CARRELLO	PATIN POUR CHARIOT	CARRIAGE SLIDE	FAHRGESTELLSCHLITTEN
4	3017499	PIASTRINA BLOCC.PERNI CARR.-BRUN.	PLAQUE DE BLOCAGE	FASTENING PLATE	BEFESTIGUNGSPLATTE
5	4296877	CATENA PORTACAVI 560/A TIPO 60 R.50	CHAINE	CHAIN	KETTE
6	6617516	SUPPORTO CATENA GUIDATUBI NERO	SUPPORT DE CHAINE	CHAIN SUPPORT	KETTENSTUETZE
7	6617590	CASSETTA DOTAZ.S560-NERA	BOITE DOTATION	TOOLING SHELF	AUSRUESTUNGSGESTELL
8	3001067	RONDELLA FERMO ASTA E PERNO	RONDELLE D'ARRET TIGE ET AXE	WASHER	BEILAGSSCHEIBE
9	6617479	CILINDRO TRASL.CARR.UT.-NERO	VERIN MOUVEMENT CHARIOT	CARRIAGE OPERATING CYLINDER	SCHLITTENBETAETIGUNGSZYLINDER
10	3001003	PERNO FISS.CILINDRO LUNGO	GOUJON FIXAGE CYLINDRE	PIN	FIXIERSTIFT
11	4399289	RONDELLA 24 (25x44x4) ZNT 6592	RONDELLE	WASHER 25x44x4	SCHEIBE D.25X44X4
12	4395720	ANELLO SEEGER E D.24	BAGUE SEEGER D.24	SEEGER RING D.24	SEEGER RING D.24
13	3017378	TUBO 3/8" PER CILINDRO LUNGO	TUYAU 3/8"	3/8" HOSE	3/8" SCHLAUCH
14	3004989	NIPPLO MM 1/4" -h.18 mm.	NIPPLE MM 1/4" - H.18 mm.	NIPPLE MM 1/4" H.18mm.	NIPPEL MM 1/4" - H.18 mm.
15	4197297	RACCORDO OCCHIO 1/4"-1/4" BSP	RACCORD 1/4"-1/4"	UNION 1/4" - 1/4" BSP	ANSCHLUSS
16	4199249	BULLONE RACCORDO FORATO 1/4"	BOULON	1/4" UNION NUT	VERSCHRAUBUNG 1/4"
17	4399256	ROND. RAME 1/4" (13x19x1,5)	RONDELLE 1/4" D.13x19x1,5	WASHER 1/4" D.13x19x1,5	KUPFERSCHEIBE 1/4"
18	3017379	TUBO 3/8" PER CILINDRO LUNGO	TUYAU 3/8" POUR VERIN LONG	3/8" PIPE FOR LONG CYLINDER	3/8" ROHR FUER LANGEN ZYLINDER
19	6617234	PEDANA S560 COMPLETA NERA	RAMPE	RAMP	RAMPE
20	2001290	CAVO PRESA TERRA CENTRALINA	CABLE DE TERRE	CABLE	MASSEKABEL
21	4398273	VITE AUTOF. TCEI 5,5x19	VIS AUTOTARADEUSE 5,5x19	SELF-TAPPING SCREW 5,5x19	BLECHSCHRAUBE 5,5x19
22	4399288	ROND. DEN.ES."A" 6,4x11x0,7	RONDELLE DENTEE 6,4x11x0,7	TOOTHED WASHER 6,4x11x0,7	ZAHNSCHEIBE 6,4x11x0,7
23	2117383	PERNO BRACCIO AUTOC. S.560	AXE DE BRAS	ARM PIN	ARMSTIFT
24	4398827	VITE STEI 8x12 P.P.	VIS 8x12	SCREW 8x12	SCHRAUBE 8x12
25	4399302	VITE TE 14x30	VIS 14x30	SCREW 14x30	SCHRAUBE 14x30
26	6617582	PROTEZ.CIL.SOLLEV.S560-NERA	PROTECTION VERIN	CYLINDER GUARD	ZYLINDERSCHUTZBLECH
27	6617182	CILINDRO BRACCIO MANDRINO-NERO	PROTECTION VERIN	CYLINDER GUARD	ZYLINDERSCHUTZBLECH
28	4296552	TAPPO A PRESSIONE D.20	PLUG D.20	BOUCHON D.20	ZAPFEN D.20
29	4395720	ANELLO SEEGER E D.24	BAGUE SEEGER D.24	SEEGER RING D.24	SEEGER RING D.24
30	4196137	VALV.IDR.BILANCIAMENTO DOPPIO EFF.	SOUPAPE DE BLOCAGE	STOP VALVE	ABSPERRVENTIL
31	3011381	TUBO 1/4" L=320 VALV.BLOCC.551	TUYAU 1/4" L=320	HOSE 1/4" L=320	SCHLAUCH 1/4" L=320
32	4199250	BULLONE RACC.1/4" STROZZ. 1mm	BOULON RACCORD	1/4" UNION NUT	VERSCHRAUBUNG 1/4"
33	3010139	TUBO X CILINDRO CORTO 551V	TUYAU POUR CYLINDRE COURT	SHORT CYLINDER PIPE	ROHR FUR KURZEN ZYL.
34	5617300	TELAIO BASAMENTO S560 BLU BUCCIATO	EMBASE	BASE FRAME	GRUNDPLATTE

35	5617172	BRACCIO AUTOCENTRANTE S560	GR. BRAS CENTREUR	CHUCK ARM	SELBSTZENTRIERARM
36	4399935	VITE TE 8x25 8.8 5739	VIS TE M8x25 8.8	SCREW TE M8X25 8.8	SCHRAUBE 8x25 8.8
37	4595863	MOT.3PH 400V.50HZ HP1,85-2,5 B5	MOTEUR 3 PH 400V 50HZ	MOTOR 3PH 400V. 50HZ	MOTOR 3PH 400V. 50HZ
37A	4599490	MOT.3PH 220V.50HZ KW1,3-1,9 B5	MOTEUR 3 PH 220V 50HZ	MOTOR 3PH 220V 50HZ	MOTOR 3PH 220V 50HZ
37B	4599331	MOT.1PH 220V.50Hz HP1,7-2,3 B5	MOTEUR 1PH 50 HZ	MOTOR 1PH 50HZ	MOTOR 1PH 220V 50HZ
37C	4599332	MOT.3PH 400V.60HZ HP1,7-2,3 B5	MOTEUR 3 PH 400V 60 HZ	MOTOR 3PH 400V. 60HZ	MOTOR 3PH 400V 60HZ
38	4299330	DISTANZIALE CENTRAGGIO MOTORE	ENTRETOISE	SPACER	ABSTANDSSTUECK
39	6600974	SUPPORTO MOTORE - NERO	SUPPORT MOTEUR	MOTOR SUPPORT	MOTORLAGER
40	4395085	RONDELLA 10 (10,5x25x2)	RONDELLE 10 (10,5x25x2)	WASHER 10 (10,5x25x2)	BEILAGSSCHEIBE (10,5x25x2)
41	3000975	PULEGGIA MOTRICE	POULIE	MOTOR PULLEY	ANTRIEBSSCHEIBE
42	4199257	NIPPLO IDR. 1/4"-h.7mm	NIPPLE 1/4" - h. 7 mm.	NIPPLE 1/4" - h.7 mm.	ANSCHLUSS 1/4" - H.7 mm.
43	4398827	VITE STEI 8x12 P.P.	VIS 8x12	SCREW 8x12	SCHRAUBE 8x12
44	4294151	CINGHIA TRAP. DENTATA XPZ 750	COURROIE DENTEE XPZ 750	TOOTHED BELT XPZ 750	ZAHNRIEMEN XPZ 750
45	3000943	CARTER PROT.CINGHIA 551 *NERO	CARTER DE PROTECTION COURROIE	COVER	RIEMENSCHUTZ.
46	4399829	RONDELLA 8 (8,4x16x1,5)ZNT6592	RONDELLE 8 (8,4X16X1,5)	WASHER 8 (8,4x16x1,5)	SCHEIBE 8 (8,4x16x1,5)
47	4399305	VITE TE 8x12 8.8 5739	VIS M8x12 - 8.8	SCREW M8x12 8.8	SCHRAUBE 8x12 8.8
48	3001041	BRONZINA ALBERO MANDRINO	BIELLE	BUSHING	BRONZEBUECHSE
49	4398848	RONDELLA 6 (6,6x18x1,5)	RONDELLE 6 (6,6x18x1,5)	WASHER 6 (6,6x18x1,5)	BEILAGSSCHEIBE 6 (6,6x18x1,5)
50	4399229	VITE TE 6x10 8.8	VIS 6x10	SCREW 6x10	SCHRAUBE 6X10
51	4399786	VITE TE 10x30 8.8 5739	VIS M10x30 8.8	SCREW M10x30 8.8	SCHRAUBE M10x30 8.8
52	4299066	SOTTOTAPPO D. 10,5 - ROSSO	SOUS-BOUCHON D.11,5	UNDERCAP D.11,5	UNTERPFROPFEN D.10,5
53	4399967	DADO M10 6S BASSO	ECROU M10	NUT M10	MUTTER M10
55	3001057	DISTANZIALE D.81 X 105 X 1	ENRETOISE	SPACER 81x105x1	ABSTANDSSTUECK
56	4299308	ANELLO TENUTA FT 8090	JOINT	GROMMET	DICHTUNGSRING
57	4299325	ANELLO OR 4387 D.98,02X3,53	ORT	O-RING 98,02x3,53	O-RING 4387 D.98,02X3,53
58	2101009	SUPPORTO VITE SENZA FINE	SUPPORT POUR VIS	WORM SCREW SUPPORT	SCHNECKENLAGER
59	3001010	SCHERMO PER OLIO	ECRAN POUR HUILE	OIL SCREEN	OELSCHIRM
60	4399300	VITE TCEI M 6x12 8.8	VIS 6x12	SCREW 6x12	SCHRAUBE 6x12
61	4199258	TAPPO OLIO	BOUCHON NIVEAU HUILE	OIL LEVEL PLUG	OELSTANDVERSCHRAUBUNG
62	5600998	CARTER ANTERIORE	CARTER AVANT	FRONT CASING	VORDERSCHUTZBLECH
63	6616557	COP. CIL.AUTOC. 558/9 VERT.-NERO	COUVERT. VERIN	CYLINDER GUARD	ZYLINDERSCHUTZBLECH
64	4399298	VITE TCEI M 8x16 8.8	VIS 8x16	SCREW 8x16	SCHRAUBE 8x16
65	4297160	SPIA LIVELLO OLIO 3/4" COMPL.	TEMOIN NIVEAU HUILE 3/4"	OIL LEVEL INDICATOR 3/4"	ÖLSTANDKONTROLLE 3/4"
66	4197684	TAPPO MASC.TMG 3/8	BOUCHON MALE 3/8"	PLUG 3/8"	PFROPFEN 3/8"
67	4198598	ROND. RAME RR 3/8" (17x23x1,5)	RONDELLE EN CUIVRE 3/8" 17x23x1,5	COPPER WASHER 3/8" 17x23x1,5	KUPFERSCHEIBE 3/8" 17x23x1,5
68	4399967	DADO M10 6S BASSO ZNT	ECROU M10	NUT M10	MUTTER M10

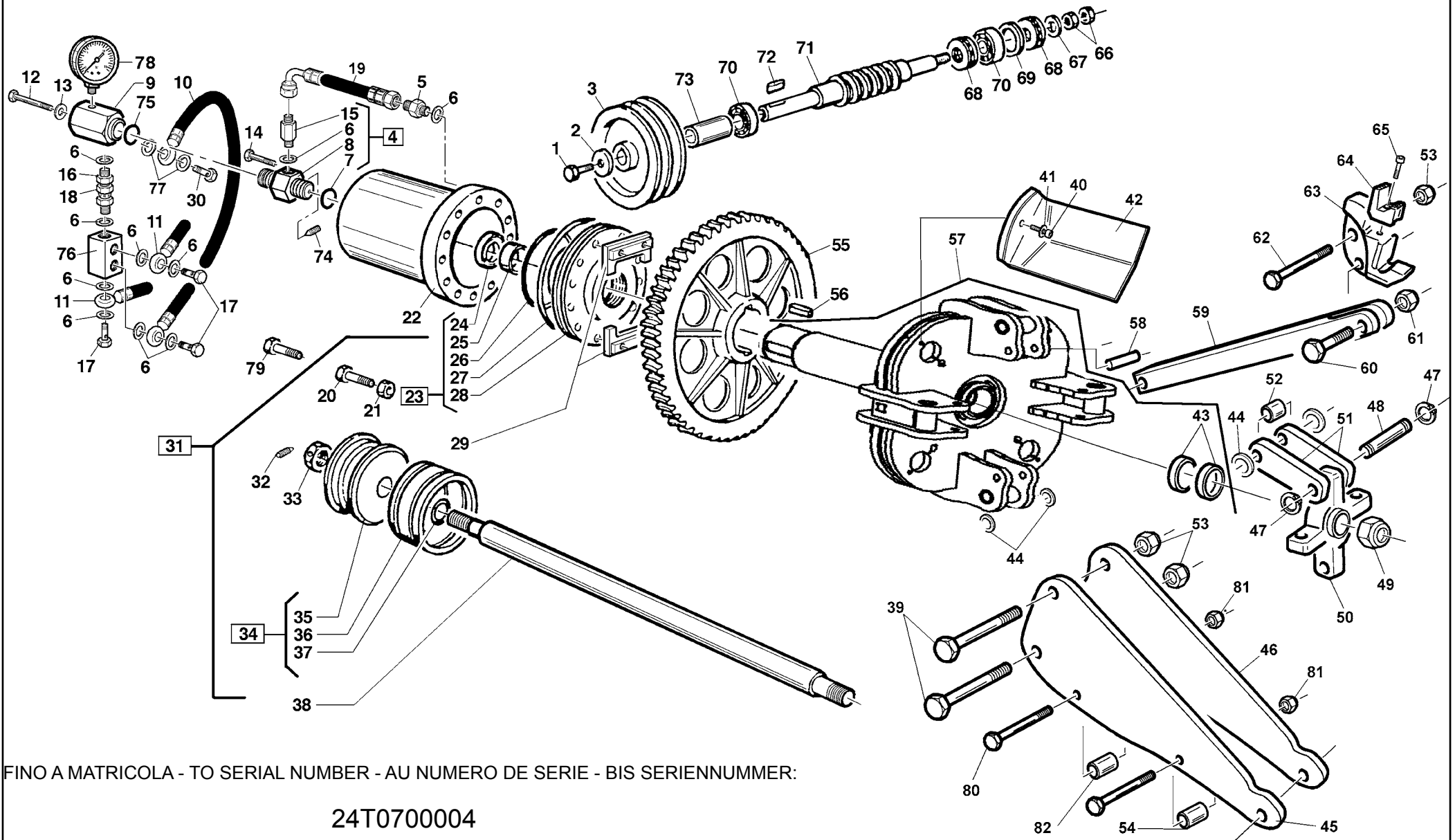
69	4398108	VITE AUTOF. TCEI 6,3x16 ZNT	VIS AUTOTARADEUSE 6,3x16	SELF-TAPPING SCREW 6,3x16	BLECHSCHRAUBE 6,3x16
70	3001051	GUARNIZIONE PER RIDUTTORE	JOINT POUR REDUCTEUR	REDUCTION GEAR SEAL	DICHTUNG
71	5600995	CARTER POST.RIDUTT.- BLU B.	CARTER ARRIERE	BACK CASING	HINTERGESTELL
72	3001055	FELTRO PER ANELLO	FEUTRE	FELT	FILZ
73	3001738	ANELLO X FELTRO AUTOCENTR. TN	BAGUE POUR FEUTRE	RING FOR FELT	RING
74	4399953	VITE TE 10x16 8.8	VIS 10x16	SCREW 10x16	SCHRAUBE 10x16
75	4399295	DADO M16 6S BASSO ZNT	ECROU M16	NUT M16	MUTTER M16
76	4299251	RULLO PER PEDANA	GALET	ROLLER	ROLLE
77	4399945	VITE TE 16x100 8.8 P.F. 5737	VIS M16x100 8.8	VIS M16x100 8.8	SCHRAUBE M16x100 8.8
78	4197164	RACCORDO GIREV. 60001 M/F 1/4"	RACCORD PIVOTANT M/F 1/4"	ROTATING UNION 1/4" M/F	DREHANSCHLUSS M/F 1/4"
79	4397049	VITE TE 10x100 8.8 PF	VIS 10x100	SCREW 10x100	SCHRAUBE 10x100
80	4398826	VITE STEI 10x20 P.P.	VIS 10x20	SCREW 10x20	SCHRAUBE 10x20
81	4394642	SPINA ELASTICA D.8X15	CHEVILLE ELASTIQUE D.8X15	ELASTIC PIN D.8X15	FEDERSTIFT D.8X15
82	4399302	VITE TE 14x30 8.8	VIS 14x30	SCREW 14x30	SCHRAUBE 14x30
83	4399228	VITE TE 10x25 8.8	VIS 10x25	SCREW 10x25	SCHRAUBE 10x25
84	4399946	VITE TE 8x16 8.8	VIS 8x16	SCREW 8x16	SCHRAUBE 8x16
85	3019036	RASCHIAPOLVERE 20X20	SEGMENT RACLEUR 20x20	SCRAPER 20x20	KRATZSCHEIBE 20x20
86	4399903	RONDELLA 4 (4,5x12x1,5)	RONDELLE 4 (4,5x12x1,5)	RONDELLE 4 (4,5x12x1,5)	BEILAGSSCHEIBE 4 (4,5x12x1,5)
87	4397671	VITE AUTOF.TSIC 4,2x13	VIS AUTOTAR. TSIC 4,2x13	SELF-TAPPING SCREW 4,2x13	BLECHSCHRAUBE 4,2x13
88	3032214	PIASTRINA ANTIROTAZIONE - ZNT	ROTATION PREVENTING PLATE	PLAQUE ANTI-ROTATION	DREHFESTPLÄTTCHEN

S 560

AUTOCENTRANTE - CENTREUR - SELF-CENTERING CHUCK - SELBSTZENTRIERENDER

ED. 03/15

TAV. 2.0



FINO A MATRICOLA - TO SERIAL NUMBER - AU NUMERO DE SERIE - BIS SERIENNUMMER:

24T0700004

Ref	Code	Descrizione	Description	Description	Beschreibung
1	4399953	VITE TE 10x16 8.8 5739	VIS M10x16 8.8	SCREW M10x16 8.8	SCHRAUBE M10x16 8.8
2	3001068	RONDELLA D.10,5X40X5	RONDELLE D.10,5x40x5	WASHER D.10,5x40x5	SCHEIBE D.10,5X40X5
3	3001052	PULEGGIA CONDOTTA	POULIE CONDUITE	DRIVEN PULLEY	ZUFUEHRUNGSROLLE
4	2001046	PERNO PER RACCORDO GIREVOLE	AXE POUR RACCORD PIVOTANT	PIN	STIFT
5	3001372	NIPPLES MM 1/4"- h.12mm	NIPPLE MM 1/4"	NIPPLE 1/4" H.12mm.	NIPPEL 1/4" - H.12mm.
6	4399256	ROND. RAME 1/4" (13x19x1,5)	RONDELLE 1/4" D.13x19x1,5	WASHER 1/4" D.13x19x1,5	KUPFERSCHEIBE 1/4"
7	4299241	ANELLO OR 4093 D.23,40X3,53	BAGUE OR 4093 - D.23,40x3,53	O-RING 23,40x3,53	O-RING 4093 - D.23,40X3,53
8	2001241	PERNO RACCORDO GIREVOLE	AXE RACCORD PIVOTANT	PIN	STIFT
9	2016554	CORPO RACCORDO GIREVOLE	CORPS RACCORD PIVOTANT	ROTATING UNION	DREHANSCHLUSS
10	3009763	TUBO 1/4" L=400 RACC.GIR. 551	TUYAU 1/4" L=400 RACC.PIVOTANT	HOSE 1/4" L=400 ROTATING UNION	SCHLAUCH DREHVERB.
11	3010138	TUBO CILINDRO AUTOCENTR. 551V	TUYAU VERIN MANDRIN	CHUCK CYLINDER HOSE	ZYLINDERSCHLAUCH
12	4399305	VITE TE 8x12 8.8 5739	VIS M8x12 - 8.8	SCREW M8x12 8.8	SCHRAUBE 8x12 8.8
13	4399947	RONDELLA 8 (9x32x4) ZNT 6593	RONDELLE 8 (9x32x4) UNI 6593	WASHER 8 (9x32x4)	BEILAGSSCHEIBE 8 (9x32x4)
14	4399299	VITE TCEI M 6x30 8.8 5931	VIS M6x30 8.8	SCREW 6x30 8.8	SCHRAUBE 6x30 8.8
15	3004989	NIPPLO MM 1/4" -h.18 mm.	NIPPLE MM 1/4" - H.18 mm.	NIPPLE MM 1/4" H.18mm.	NIPPEL MM 1/4" - H.18 mm.
16	4199257	NIPPLO MM. 1/4"- h.7 mm.	NIPPLE MM. 1/4"	NIPPLE MM.1/4" H=7,5 mm.	NIPPEL 1/4" - H.7mm.
17	4199249	BULLONE RACCORDO FORATO 1/4"	BOULON	1/4" UNION NUT	VERSCHRAUBUNG 1/4"
18	4197164	RACCORDO GIREV. M/F 1/4"	RACCORD PIVOTANT M/F 1/4"	ROTATING UNION M/F 1/4"	DREHVERBINDUNG M/F 1/4"
19	3001063	TUBO PONTE CIL.AUTOCENTR. S551	TUYAU	HOSE	SCHLAUCH
20	4397145	VITE TE 10x70 8.8 P.F. 5737	VIS 10x70 8.8	SCREW 10x70 8.8	SCHRAUBE 10x70 8.8
21	4399969	DADO M10 6S ALTO ZNT 5587	ECROU M10	NUT M10	MUTTER M10
22	2100996	CILINDRO D. 140	CYLINDRE D.140	CYLINDER D.140	ZYLINDER D.140
23	2001048	FLANGIA PER CILINDRO D.140 551	BRIDE POUR CYLINDRE D.140	CYLINDER FLANGE D.140	FLANSCH
24	4299173	ANELLO TENUTA RS 4052	BAGUE D'ETANCHEITE'	GROMMET	DICHTUNGSRING
25	4299172	ANELLO GUIDA WRI 40	BAGUE DE GUIDAGE WRI 40	GUIDE RING	FUEHRUNGSRING
26	4299171	ANELLO OR 4525 D.132,94X3,53	BAGUE OR 4525 - D.132,94x3,53	O-RING 132,94x3,53	O-RING 4525 - D.132,94X3,53
27	4299170	ANELLO OR 6720 D.183,52X5,34	BAGUE OR 6720 - D.183,52x5,34	O-RING 183,52x5,34	O-RING 6720 - D.183,52X5,34
28	3008801	COPERCHIO GUIDA CILINDRO D.140	COUVERCLE GUIDAGE VERIN D.140	CYLINDER GUIDE COVER D.140	ZYLINDERFUEHRUNG
29	2108802	PIASTRA BLOCC. RUOTA ELIC. 551	PLAQUE BLOCAGE ROUE	WHEEL LOCKING PLATE	FIXIERSCHEIBE
30	4197232	BULLONE RACC. 1/4" TORNITO	BOULON RACC,1/4"	1/4" UNION NUT	VERSCHRAUBUNG 1/4"
31	2001281	CILINDRO D.140 COMPL.	CYLINDRE D.140	CYLINDER D.140	ZYLINDER D.140
32	4398496	VITE STEI 5x5 P.CONICA	VIS 5X5	SCREW 5x5	SCHRAUBE 5x5
33	4396916	DADO AUTOBL.M27x3 BASSO	ECROU DE VERROUILLAGE 27x3	SELF-LOCKING NUT 27x3	SELBSTSICHERNDE MUTTER 27x3
34	2001045	PISTONE CON GUARNIZIONI 551	PISTON AVEC JOINTS	PISTON	KOLBEN MIT DICHTUNGEN

35	3001117	PISTONE D.140	PISTON D.140	PISTON D.140	KOLBEN D.140
36	4299313	ANELLO TENUTA PIST. DAS 140115	JOINT PISTON	GROMMET	DICHTUNGSRING
37	4299312	ANELLO OR 4112 D.28,17X3,53	BAGUE OR 4112 D.28,17x3,53	O-RING 28,17x3,53	O-RING 4112 - D.28,17X3,53
38	3001001	ASTA COMANDO MANDRINO	TIGE COMMANDE MANDRIN	CHUCK CONTROL SHAFT	KONTROLLSTANGE
39	3000967	VITE TE M18X1,5X103	VIS 18x1,5x103	SCREW 18x1,5x103	SCHRAUBE 18x1,5x103
40	4398273	VITE AUTOF. TCEI 5,5x19	VIS AUTOTARADEUSE TCEI 5,5x19	SELF-TAPPING SCREW 5,5x19	BLECHSCHRAUBE 5,5x19
41	4399998	RONDELLA 6 (6,4x12x1,6)ZNT6592	RONDELLE 6 (6,4x12x1,6)	WASHER 6 (6,4x12x1,6)	SCHEIBE 6 (6,4x12x1,6)
42	3017581	PROTEZ. ABS MANDRINO 560 *NERO	PROTECT. ABS	ABS COVER	ABS SCHUTZDECKE
43	4299309	ANELLO RASCHIATORE PW40G	RACLETTE D.40X50X6	SCRAPER RING	OELABSTREIFRING
44	4399974	RASAMENTO ACCIAIO 20,5X28X0,3	ENTRETOISE 20,5x28x0,3	SHIM ADJUSTMENT 20,5x28x0,3	AUSGLEICHRING 20,5x28x0,3
45	2116314	BRACCIO MANDRINO SX -ZNT.	BRAS MANDRIN GAUCHE	LEFT CHUCK ARM	LINKER SPINDELARM
46	2116315	BRACCIO MANDRINO DX -ZNT.	BRAS MANDRIN DROIT	RIGHT CHUCK ARM	RECHTER SPINDELARM
47	4399231	ANELLO SEEGER E D.18 7435	BAGUE SEEGER D.18	SEEGER RING D.18	SEEGER RING D.18
48	3000993	PERNO PER BIELLA AUTOCENTRANTE	GOUJON POUR BIELLE AUTOCENTR.	PIN	STIFT
49	4399293	DADO M33x2 6S BASSO 5589	ECROU M33x2	NUT M33x2	MUTTER M33X2 6S
50	3001050	CROCE PER AUTOCENTRANTE	CROIX POUR AUTOCENTREUR	TURNTABLE CROSS	KREUZ
51	3001044	BIELLA PER AUTOCENTRANTE	BIELLE POUR AUTOCENTREUR	CONNECTING ROD	PLEUELSTANGE
52	3000994	DISTANZIALE D.20X30X28-BRUNITO	ENTRETOISE D.20x30x28	SPACER D.20x30x28	ABSTANDSSTUECK D
53	4399316	DADO AUTOBL.M18x1,5 h=18 7474	ECROU BLOK M18x1,5 H.18	SELF-LOCKING NUT M18x1,5 H=18	SELBSTSICHERNDE MUTTER
54	3019099	DISTANZ. CORTO LAME MANDRINO -ZNT B.	ENTRETOISE	SPACER	ABSTANDSSTUECK
55	3008800	RUOTA ELICOIDALE S.551 T.N.	ROUE HELICOIDARe S.551	WORM WHEEL	SCHNECKENRAD
56	4399218	LINGUETTA 20x12x60 (A) 6604	LANGUETTE 20x12x60	TAB 20x12x60	ZUNGE 20X12X60
57	2032813	MANDRINO COMPL. S.560	MANDRIN COMPLET	COMPL. CHUCK UNIT	KOMPL. SPINDEL
58	4399315	SPINA CIL.RETT. 12x60 6364A	GOUPILLE 12x60	SPRING PIN	ZYLINDERSTIFT 12x60
59	3000992	BARRA STABILIZZATRICE-ZINCATA	BARRE	BAR	STANGE
60	3000968	VITE TE M12X58 (4399314)	VIS TE M12x58	SCREW 12x58	SCHRAUBE 12x58
61	4399865	DADO AUTOBL.M12 BASSO.6S. 7474	ECROU A' BLOCAGE AUTOMAT. M12	SELF-LOCKING NUT M12	SELBSTSICHERNDE MUTTER
62	3000966	VITE TE M18X1,5X87(4399317)	VIS TE M18x1,5x87	SCREW 18x1,5x87	SCHRAUBE 18x1,5x87
63	3016555	SUPPORTO GRIFFA TORN.- BRUNITO	SUPPORT DE MORS	CLAMP SUPPORT	KLAUENHALTER
64	3001043	GRIFFA	MORS	CLAMP	KLAUE
65	4399956	VITE TCEI M10x25 12.9 5931	VIS TCEI M10x25 12.9 5931	SCREW 10x25 12.9	SCHRAUBE 10x25 12.9
66	4399295	DADO M16 6S BASSO ZNT 5589	ECROU	NUT M16	MUTTER M16 6S
67	3001114	RONDELLA D. 16,2X38X7	RONDELLE D.16,2x38x7	WASHER D.16,2x38x7	SCHEIBE D.16,2X38X7
68	4299284	CUSCINETTO ASSIALE 2KL 51205 1E8	COUSSINET	BEARING	UNTERLAGE TAM 6205 2RS
69	3001115	DISTANZIALE CUSCINETTO	ENTRETOISE COUSSINET	SPACER	ABSTANDSSTUECK
70	4299285	CUSCINETTO TAM 6205 2RS - 119	COUSSINET	BEARING	UNTERLAGE TAM 6205 2RS

S 560**AUTOCENTRANTE - CENTREUR -
SELF-CENTERING CHUCK - SELBSTZENTRIERENDER**

ED. 03/15

TAV. 2.0

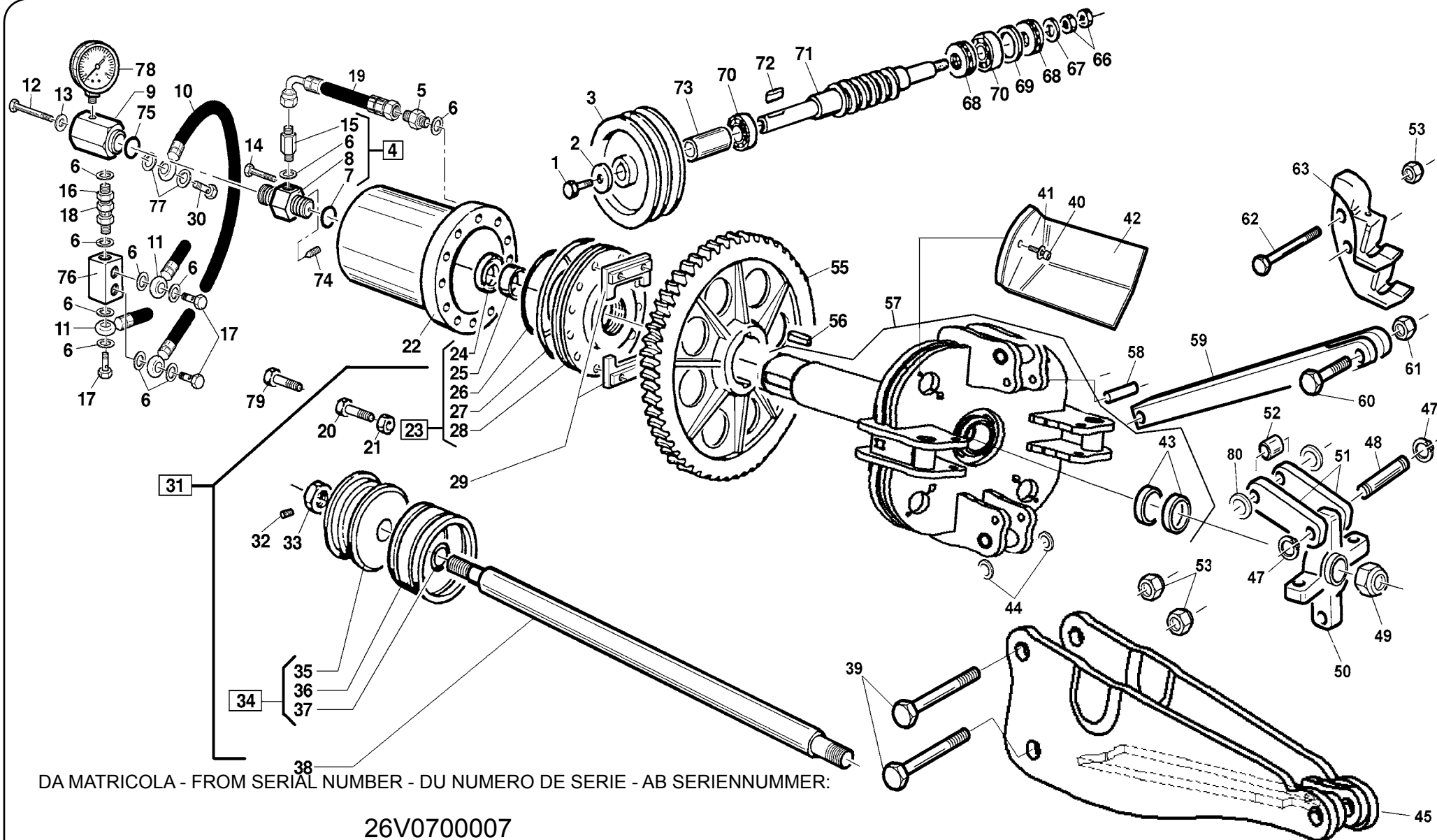
71	3010861	VITE SENZA FINE M3,5	VIS SANS FIN M3,5	WORM SCREW M3,5	SCHNECKE M3,5
72	4399287	LINGUETTA 7x8x30 (A) 6604	LANGUETTE REF. 8680	TAB 7x8x30	ZUNGE 7X8X30
73	3000999	DISTANZIALE D.25,1X35X58 ZNT B	ENTRETOISE REF. 8678	SPACER D.25,1x35x58	ABSTANDSSTUECK
74	4397046	VITESTEI 10x10 P.CONICA 5927	VIS M10x10	SCREW M10x10	SCHRAUBE M10x10
75	4299167	ANELLO DRS-2028	BAGUE	RING	RING DRS-2028
76	4197238	VALV.IDR. DI BLOCCO VBPSL 14	VANNE HYDR. DE BLOCAGE	HYDRAULIC STOP VALVE	HYDR. SPERRVENTIL
77	4396341	ROND.BOND 1/4"(13,5x21x12)	RONDELLE BOND 1/4"	BOND WASHER 1/4"	KUPFERSCHEIBE 1/4"
78	4199146	MANOMETRO 1/4" 250 BAR	MANOMETRE 1/4" 250 BAR	PRESSURE GAUGE 1/4" 250 BAR	MANOMETER 1/4" 250 BAR
79	4396424	VITE TCEI M10x60 8.8 PF	VIS M10x60 8.8	SCREW M10x60 - 8.8	SCHRAUBE M10x60 - 8.8
80	4395993	VITE TE 12x100 8.8 PF	VIS 12x70	SCREW 12x70	SCHRAUBE 12x70
81	4399865	DADO AUTOBL.M12 BASSO.6S.	ECROU DE VERROUILLAGE M12 S	ELF-LOCKING NUT M12 S	ELBSTSICHERNDE MUTTER M12
82	3032792	DISTANZ.LAME MANDRINO-ZNT B.	ENTRETOISE	SPACER	ABSTANDSSTUECK

S 560

AUTOCENTRANTE - CENTREUR - SELF-CENTERING CHUCK - SELBSTZENTRIERENDER

ED. 03/15

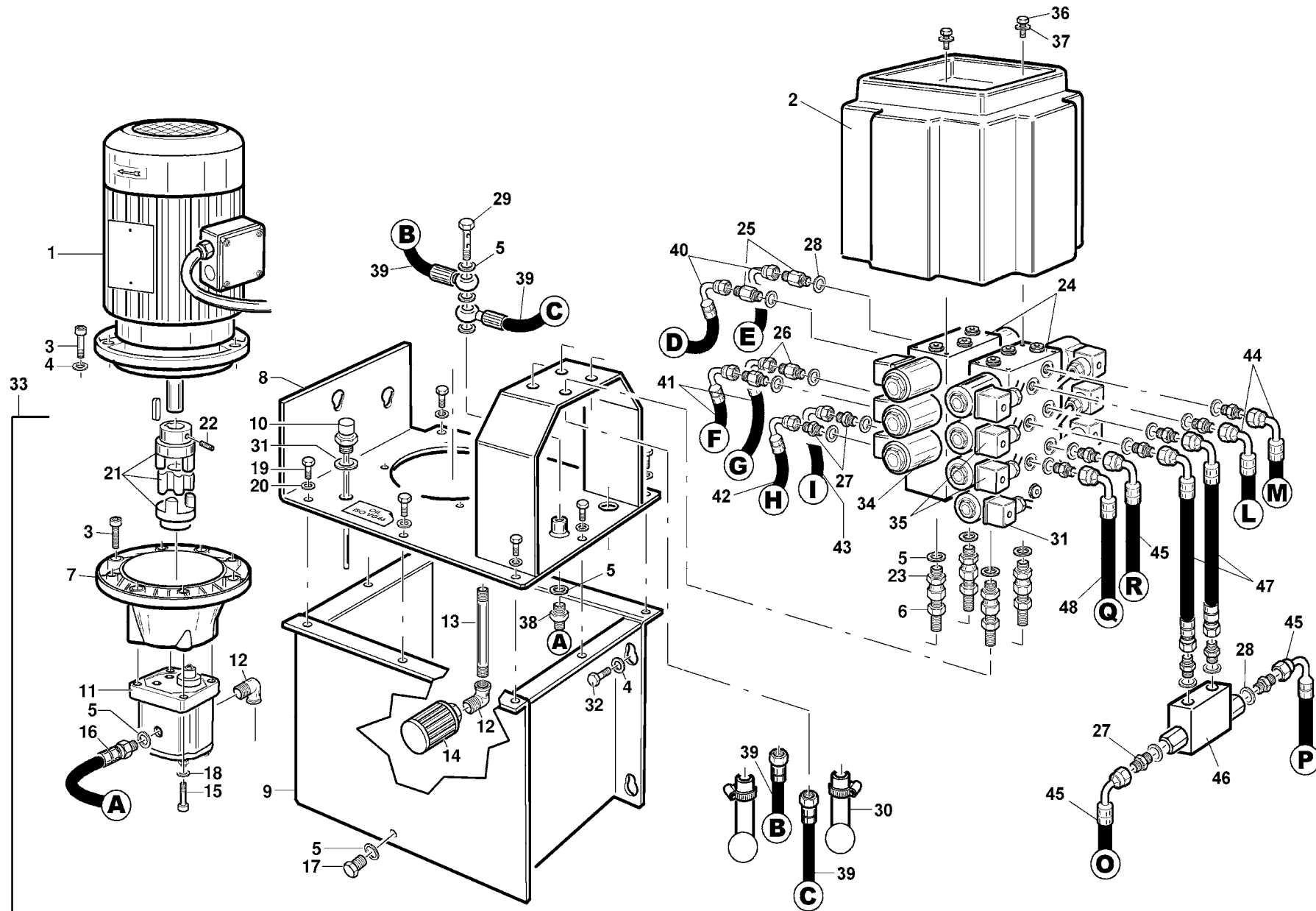
TAV. 2.1



Ref	Code	Descrizione	Description	Description	Beschreibung
1	4399953	VITE TE 10x16 8.8 5739	VIS M10x16 8.8	SCREW M10x16 8.8	SCHRAUBE M10x16 8.8
2	3001068	RONDELLA D.10,5X40X5	RONDELLE D.10,5x40x5	WASHER D.10,5x40x5	SCHEIBE D.10,5X40X5
3	3001052	PULEGGIA CONDOTTA	POULIE CONDUITE	DRIVEN PULLEY	ZUFUEHRUNGSROLLE
4	2001046	PERNO PER RACCORDO GIREVOLE	AXE POUR RACCORD PIVOTANT	PIN	STIFT
5	3001372	NIPPLES MM 1/4"- h.12mm	NIPPLE MM 1/4"	NIPPLE 1/4" H.12mm.	NIPPEL 1/4" - H.12mm.
6	4399256	ROND. RAME 1/4" (13x19x1,5)	RONDELLE 1/4" D.13x19x1,5	WASHER 1/4" D.13x19x1,5	KUPFERSCHEIBE 1/4"
7	4299241	ANELLO OR 4093 D.23,40X3,53	BAGUE OR 4093 - D.23,40x3,53	O-RING 23,40x3,53	O-RING 4093 - D.23,40X3,53
8	2001241	PERNO RACCORDO GIREVOLE	AXE RACCORD PIVOTANT	PIN	STIFT
9	2016554	CORPO RACCORDO GIREVOLE	CORPS RACCORD PIVOTANT	ROTATING UNION	DREHANSCHLUSS
10	3009763	TUBO 1/4" L=400 RACC.GIR. 551	TUYAU 1/4" L=400 RACC.PIVOTANT	HOSE 1/4" L=400 ROTATING UNION	SCHLAUCH DREHVERB.
11	3010138	TUBO CILINDRO AUTOCENTR. 551V	TUYAU VERIN MANDRIN	CHUCK CYLINDER HOSE	ZYLINDERSCHLAUCH
12	4399305	VITE TE 8x12 8.8 5739	VIS M8x12 - 8.8	SCREW M8x12 8.8	SCHRAUBE 8x12 8.8
13	4399947	RONDELLA 8 (9x32x4) ZNT 6593	RONDELLE 8 (9x32x4) UNI 6593	WASHER 8 (9x32x4)	BEILAGSSCHEIBE 8 (9x32x4)
14	4399299	VITE TCEI M 6x30 8.8 5931	VIS M6x30 8.8	SCREW 6x30 8.8	SCHRAUBE 6x30 8.8
15	3004989	NIPPLO MM 1/4" -h.18 mm.	NIPPLE MM 1/4" - H.18 mm.	NIPPLE MM 1/4" H.18mm.	NIPPEL MM 1/4" - H.18 mm.
16	4199257	NIPPLO MM. 1/4"- h.7 mm.	NIPPLE MM. 1/4"	NIPPLE MM.1/4" H=7,5 mm.	NIPPEL 1/4" - H.7mm.
17	4199249	BULLONE RACCORDO FORATO 1/4"	BOULON	1/4" UNION NUT	VERSCHRAUBUNG 1/4"
18	4197164	RACCORDO GIREV. M/F 1/4"	RACCORD PIVOTANT M/F 1/4"	ROTATING UNION M/F 1/4"	DREHVERBINDUNG M/F 1/4"
19	3001063	TUBO PONTE CIL.AUTOCENTR. S551	TUYAU	HOSE	SCHLAUCH
20	4397145	VITE TE 10x70 8.8 P.F. 5737	VIS 10x70 8.8	SCREW 10x70 8.8	SCHRAUBE 10x70 8.8
21	4399969	DADO M10 6S ALTO ZNT 5587	ECROU M10	NUT M10	MUTTER M10
22	2100996	CILINDRO D. 140	CYLINDRE D.140	CYLINDER D.140	ZYLINDER D.140
23	2001048	FLANGIA PER CILINDRO D.140 551	BRIDE POUR CYLINDRE D.140	CYLINDER FLANGE D.140	FLANSCH
24	4299173	ANELLO TENUTA RS 4052	BAGUE D'ETANCHEITE'	GROMMET	DICHTUNGSRING
25	4299172	ANELLO GUIDA WRI 40	BAGUE DE GUIDAGE WRI 40	GUIDE RING	FUEHRUNGSRING
26	4299171	ANELLO OR 4525 D.132,94X3,53	BAGUE OR 4525 - D.132,94x3,53	O-RING 132,94x3,53	O-RING 4525 - D.132,94X3,53
27	4299170	ANELLO OR 6720 D.183,52X5,34	BAGUE OR 6720 - D.183,52x5,34	O-RING 183,52x5,34	O-RING 6720 - D.183,52X5,34
28	3008801	COPERCHIO GUIDA CILINDRO D.140	COUVERCLE GUIDAGE VERIN D.140	CYLINDER GUIDE COVER D.140	ZYLINDERFUEHRUNG
29	2108802	PIASTRA BLOCC. RUOTA ELIC. 551	PLAQUE BLOCAGE ROUE	WHEEL LOCKING PLATE	FIXIERSCHEIBE
30	4197232	BULLONE RACC. 1/4" TORNITO	BOULON RACC,1/4"	1/4" UNION NUT	VERSCHRAUBUNG 1/4"
31	2001281	CILINDRO D.140 COMPL.	CYLINDRE D.140	CYLINDER D.140	ZYLINDER D.140
32	4398496	VITE STEI 5x5 P.CONICA	VIS 5X5	SCREW 5x5 - CONIC 5927	SCHRAUBE 5x5
33	4399294	DADO M27x2 6S BASSO ZNT 5589	ECROU M27x2	NUT M27x2	MUTTER M27X2 6S
34	2001045	PISTONE CON GUARNIZIONI 551	PISTON AVEC JOINTS	PISTON	KOLBEN MIT DICHTUNGEN

35	3001117	PISTONE D.140	PISTON D.140	PISTON D.140	KOLBEN D.140
36	4299313	ANELLO TENUTA PIST. DAS 140115	JOINT PISTON	GROMMET	DICHTUNGSRING
37	4299312	ANELLO OR 4112 D.28,17X3,53	BAGUE OR 4112 D.28,17x3,53	O-RING 28,17x3,53	O-RING 4112 - D.28,17X3,53
38	3001001	ASTA COMANDO MANDRINO	TIGE COMMANDE MANDRIN	CHUCK CONTROL SHAFT	KONTROLLSTANGE
39	3032343	VITE TE M18X1,5X110 Lp85	VIS 18X1,5X110	SCREW 18X1,5X110	SCHRAUBE 18X1,5X110
40	4398273	VITE AUTOF. TCEI 5,5x19	VIS AUTOTARADEUSE TCEI 5,5x19	SELF-TAPPING SCREW 5,5x19	BLECHSCHRAUBE 5,5x19
41	4399998	RONDELLA 6 (6,4x12x1,6)ZNT6592	RONDELLE 6 (6,4x12x1,6)	WASHER 6 (6,4x12x1,6)	SCHEIBE 6 (6,4x12x1,6)
42	3017581	PROTEZ. ABS MANDRINO 560 *NERO	PROTECT. ABS	ABS COVER	ABS SCHUTZDECKE
43	4299309	ANELLO RASCHIATORE PW40G	RACLETTE D.40X50X6	SCRAPER RING	OELABSTREIFRING
44	4399974	RASAMENTO ACCIAIO 20,5X28X0,3	ENTRETOISE 20,5x28x0,3	SHIM ADJUSTMENT 20,5x28x0,3	AUSGLEICHRING 20,5x28x0,3
45	2132491	BRACCIO MANDRINO -ZNT.	BRAS MANDRIN GAUCHE	LEFT CHUCK ARM	LINKER SPINDELARM
47	4399231	ANELLO SEEGER E D.18 7435	BAGUE SEEGER D.18	SEEGER RING D.18	SEEGER RING D.18
48	3000993	PERNO PER BIELLA AUTOCENTRANTE	GOUJON POUR BIELLE AUTOCENTR.	PIN	STIFT
49	4399293	DADO M33x2 6S BASSO 5589	ECROU M33x2	NUT M33x2	MUTTER M33X2 6S
50	3001050	CROCE PER AUTOCENTRANTE	CROIX POUR AUTOCENTREUR	TURNTABLE CROSS	KREUZ
51	3001044	BIELLA PER AUTOCENTRANTE	BIELLE POUR AUTOCENTREUR	CONNECTING ROD	PLEUELSTANGE
52	3000994	DISTANZIALE D.20X30X28-BRUNITO	ENTRETOISE D.20x30x28	SPACER D.20x30x28	ABSTANDSSTUECK D
53	4399316	DADO AUTOBL.M18x1,5 h=18 7474	ECROU BLOK M18x1,5 H.18	SELF-LOCKING NUT M18x1,5 H=18	SELBSTSICHERNDE MUTTER
55	3008800	RUOTA ELICOIDALE S.551 T.N.	ROUE HELICOIDAIRE S.551	WORM WHEEL	SCHNECKENRAD
56	4399218	LINGUETTA 20x12x60 (A) 6604	LANGUETTE 20x12x60	TAB 20x12x60	ZUNGE 20X12X60
57	2032813	MANDRINO COMPL. S.560	MANDRIN COMPLET	COMPL. CHUCK UNIT	KOMPL. SPINDEL
58	3033796	SPINA CIL.RETT. 12x65	GOUPILLE 12x65	SPRING PIN 12x65	ZYLINDERSTIFT 12x65
59	3000992	BARRA STABILIZZATRICE-ZINCATA	BARRE	BAR	STANGE
60	3000968	VITE TE M12X58 (4399314)	VIS TE M12x58	SCREW 12x58	SCHRAUBE 12x58
61	4399865	DADO AUTOBL.M12 BASSO.6S. 7474	ECROU A' BLOCAGE AUTOMAT. M12	SELF-LOCKING NUT M12	SELBSTSICHERNDE MUTTER
62	3000966	VITE TE M18X1,5X87(4399317)	VIS TE M18x1,5x87	SCREW 18x1,5x87	SCHRAUBE 18x1,5x87
63	3033828	GRIFFA SMTG CAMION GRANDE	SUPPORT DE MORS	CLAMP SUPPORT	KLAUENHALTER
66	4399295	DADO M16 6S BASSO ZNT 5589	ECROU	NUT M16	MUTTER M16 6S
67	3001114	RONDELLA D. 16,2X38X7	RONDELLE D.16,2x38x7	WASHER D.16,2x38x7	SCHEIBE D.16,2X38X7
68	4299284	CUSCINETTO ASSIALE 2KL 51205 1E8	COUSSINET	BEARING	UNTERLAGE TAM 6205 2RS
69	3001115	DISTANZIALE CUSCINETTO	ENTRETOISE COUSSINET	SPACER	ABSTANDSSTUECK
70	4299285	CUSCINETTO TAM 6205 2RS - 119	COUSSINET	BEARING	UNTERLAGE TAM 6205 2RS

71	3010861	VITE SENZA FINE M3,5	VIS SANS FIN M3,5	WORM SCREW M3,5	SCHNECKE M3,5
72	4399287	LINGUETTA 7x8x30 (A) 6604	LANGUETTE REF. 8680	TAB 7x8x30	ZUNGE 7X8X30
73	3000999	DISTANZIALE D.25,1X35X58 ZNT B	ENTRETOISE REF. 8678	SPACER D.25,1x35x58	ABSTANDSSTUECK
74	4397046	VITESTEI 10x10 P.CONICA 5927	VIS M10x10	SCREW M10x10	SCHRAUBE M10x10
75	4299167	ANELLO DRS-2028	BAGUE	RING	RING DRS-2028
76	4197238	VALV.IDR. DI BLOCCO VBPSL 14	VANNE HYDR. DE BLOCAGE	HYDRAULIC STOP VALVE	HYDR. SPERRVENTIL
77	4396341	ROND.BOND 1/4"(13,5x21x12)	RONDELLE BOND 1/4"	BOND WASHER 1/4"	KUPFERSCHEIBE 1/4"
78	4199146	MANOMETRO 1/4" 250 BAR	MANOMETRE 1/4" 250 BAR	PRESSURE GAUGE 1/4" 250 BAR	MANOMETER 1/4" 250 BAR
79	4396424	VITE TCEI M10x60 8.8 PF	VIS M10x60 8.8	SCREW M10x60 - 8.8	SCHRAUBE M10x60 - 8.8
80	4398289	RONDELLA 18 (19x34x3) ZNT	RONDELLE 18 (19x34x3)	WASHER 18 (19x34x3)	BEILAGSSCHEIBE 18 (19x34x3)



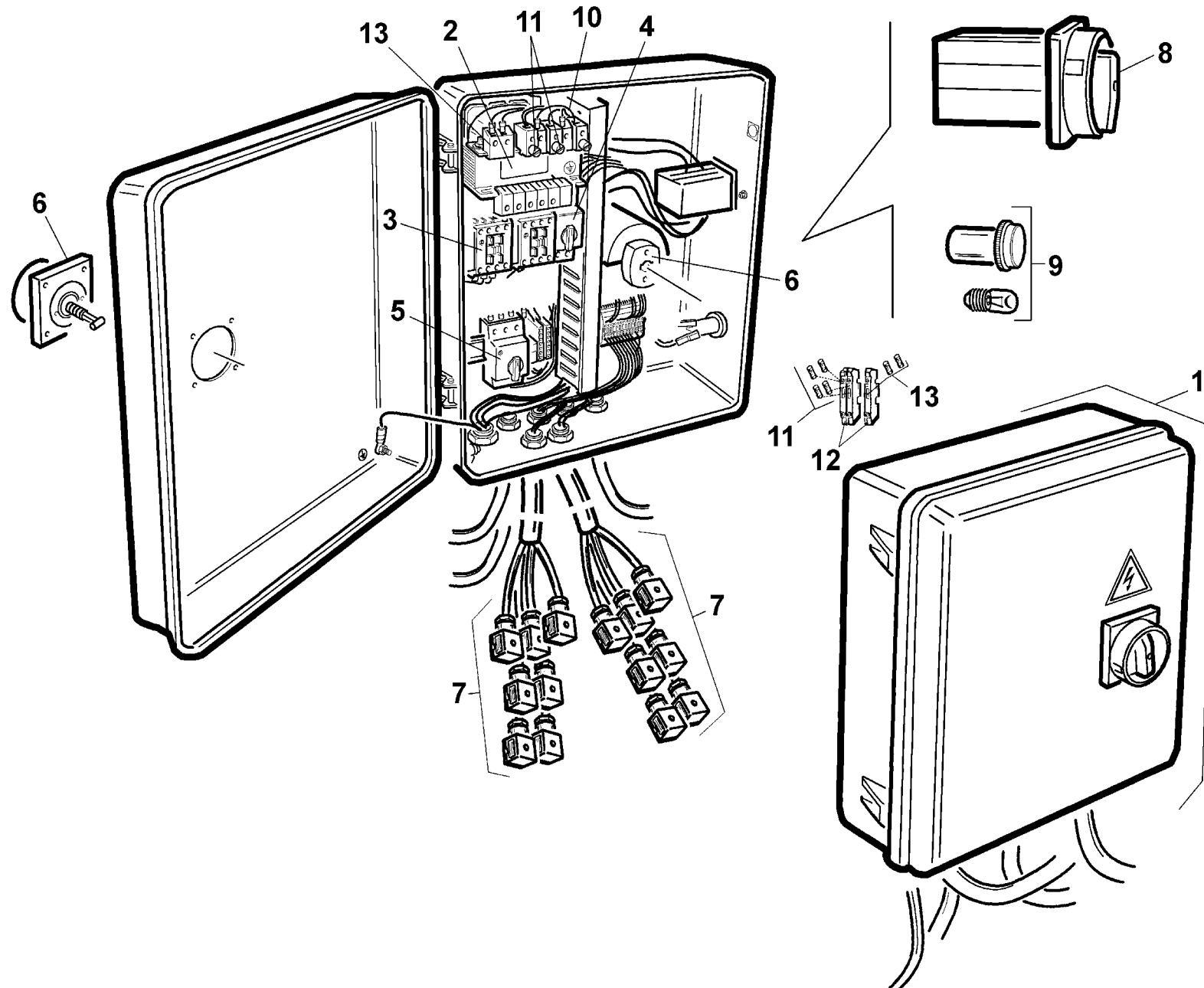
S 560**CENTRALINA IDRAULICA - UNITE' HYDRAULIQUE - HYDRAULIC
POWER UNIT - HYDRAULISCHE EINHEIT**

ED. 03/15

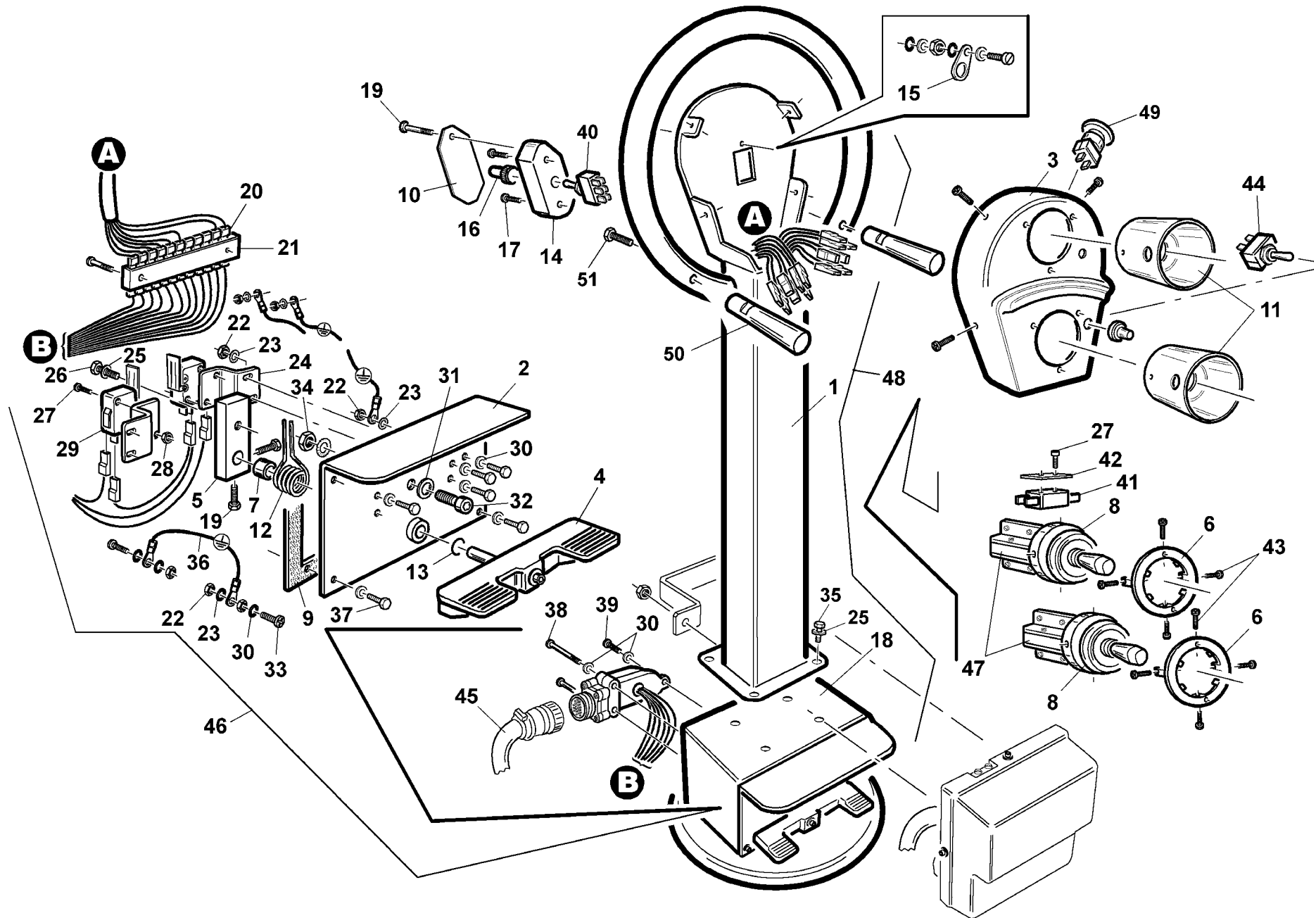
TAV. 3.0

1	4594763	MOT.3PH 230/400V.50/60HZ 2,2/2,64KW B5	MOTEUR 3PH 230/400V 50/60HZ	MOTOR 3PH 230/400V 50/60HZ	MOTOR 3PH 230/400V 50/60HZ
2	3017580	CARENATURA ABS CENTRAL.560	BATI EN ABS	ABS FRAME	ABS KASTEN
3	4399956	VITE TCEI M10x25 12.9 5931	VIS TCEI M10x25 12.9 5931	SCREW 10x25 12.9	SCHRAUBE 10x25 12.9
4	4399378	RONDELLA 10 (10,5x21x2)ZNT6592	RONDELLE D.10 (10,5x21x2)	WASHER D.10 (10,5x21x2)	SCHEIBE D.10 (10,5x21x2)
5	4198598	ROND. RAME RR 3/8" (17x23x1,5)	RONDELLE EN CUIVRE RR 3/8"	COPPER WASHER 3/8" 17x23x1,5	KUPFERSCHEIBE 3/8" (17x23x1,5)
6	4197600	PASSAPARETE DI CONG.3/8"BSP	RACCORD DE CONNEXION 3/8"	UNION 3/8"	VERBINDUNGSSTUECK 3/8"
7	4197872	LANTERNA GR.80 D.200 HL5L	BRIDE GR.80 D.200 HL5L	FLANGE GR.80 D.200 HL5L	FLANSCH GR.80 D.200 HL5L
8	6617508	COPERCHIO SERBATOIO NERO	COUVERTURE RESERVOIR	TANK COVER PLATE	BEHAELTERSCHUTZBLECH
9	6609757	SERBATOIO C.I. 551 VERT.-NERO	RESERVOIR	TANK	TANK
10	3010652	TAPPO LIVELLO OLIO 1/2"	BOUCHON NIVEAU HUILE 1/2"	OIL LEVEL PLUG	OELVERSCHRAUBUNG 1/2"
11	4194799	POMPA GR.1 8,00 CM/C DX C.F3/8	POMOE GR.1 8,00 CM/C DX C.F3/8	PUMP GR.1 8,00 CM/C DX C.F3/8	PUMPE GR.1 8,00 CM/C DX C.F3/8
12	4197240	RACC. 90' MF 3/8"	RACCORD 90' MF 3/8"	UNION 90' MF 3/8"	ANSCHLUSS 90' MF 3/8"
13	4197239	BARILOTTO OT Z 3/8"F L100 ZNT	RACCORD 3/8" L100	UNION 3/8" F L100	ANSCHLUSS 3/8" F L100
14	4197241	FILTRO OLIO n60 FAM.MS.B2.0	FILTRE HUILE	OIL FILTER	OELFILTER
15	4399299	VITE TCEI M 6x30 8.8 5931	VIS M6x30 8.8	SCREW 6x30 8.8	SCHRAUBE 6x30 8.8
16	3009760	TUBO 3/8" C.I. VERT. L=340	TUYAU 3/8" L=370	HOSE 3/8" L=370	SCHLAUCH 3/8" L=370
17	4197684	TAPPO MASC.TMG 3/8	BOUCHON MALE 3/8"	PLUG 3/8"	PFROPFEN 3/8"
18	4399998	RONDELLA 6 (6,4x12x1,6)ZNT6592	RONDELLE 6 (6,4x12x1,6)	WASHER 6 (6,4x12x1,6)	SCHEIBE 6 (6,4x12x1,6)
19	4399305	VITE TE 8x12 8.8 5739	VIS M8x12 - 8.8	SCREW M8x12 8.8	SCHRAUBE 8x12 8.8
20	4399829	RONDELLA 8 (8,4x16x1,5)ZNT6592	RONDELLE 8 (8,4x16x1,5)	WASHER 8 (8,4x16x1,5)	SCHEIBE 8 (8,4x16x1,5)
21	4197873	GIUNTO ELASTICO HE41	JOINT ELASTIQUE HE41	FLEXIBLE COUPLING	FEDERDICHTUNG
22	4399121	VITE STEI 6x6 P.P. 5923	VIS 6x6	SCREW 6x6	SCHRAUBE 6X6
23	4197621	GIUNZIONE ORIENT.M.F.60001 3/8	JOINT TORIQUE 45' FF 3/8"	O-RING 45' FF 3/8"	VERBINDUNG
24	2012881	BASE MULTIPLA + ELETTROVALV.	BASE MULTIPLE + ELECTROVANNE	MULTIPLE BASE + SOLENOID VALVE	GRUNDLAGE + MAGNETVENT
25	3004989	NIPPLO MM 1/4" -h.18 mm.	NIPPLE MM 1/4" - H.18 mm.	NIPPLE MM 1/4" H.18mm.	NIPPEL MM 1/4" - H.18 mm.
26	3001372	NIPPLES MM 1/4"- h.12mm	NIPPLE MM 1/4"	NIPPLE 1/4" H.12mm.	NIPPEL 1/4" - H.12mm.
27	4199257	NIPPLO MM. 1/4"- h.7 mm.	NIPPLE MM. 1/4"	NIPPLE MM.1/4" H=7,5 mm.	NIPPEL 1/4" - H.7mm.
28	4399256	ROND. RAME 1/4" (13x19x1,5)	RONDELLE 1/4" D.13x19x1,5	WASHER 1/4" D.13x19x1,5	KUPFERSCHEIBE 1/4" D.13x19x1,5
29	4196596	BULLONE RACC.FORATO DOPPIO 3/8"	RACCORD 3/8"	UNION BOLT 3/8"	VERSCHRAUBUNG 3/8"
30	3001370	TUBO 18ATE D. 16X26 L=400	TUYAU D.16x26 L=400	HOSE D.16x26 L=400	SCHLAUCH D.16x26 L=400
31	4197106	ELETTROVALV. SEMPLICE SCARICO	ELECTROV. SIMPLE DECHARGE	RELIEF SIMPLE SOLENOID VALVE	ABLASSMAGNETVENTIL
32	4399953	VITE TE 10x16 8.8 5739	VIS M10x16 8.8	SCREW M10x16 8.8	SCHRAUBE M10x16 8.8
33	2017598	GR.CENTRALINA IDR. S560	UNITE' HYDRAULIQUE	HYDRAULIC UNIT	HYDRAULIKAGGREGAT
34	4196317	ELETTROV.4V-3P-CC-7/8" DOPPIA CIL.	ELETTROVALVE	SOLENOID VALVE	MAGNETVENTIL
35	4196318	ELETTROV.4V-3P-MS-7/8" DOPPIA AUTOC.	ELETTROVALVE	SOLENOID VALVE	MAGNETVENTIL

36	4399892	VITE TE 6x20 8.8	VIS 6x20	SCREW 6x20	SCHRAUBE 6x20
37	4399998	RONDELLA 6 (6,4x12x1,6)	RONDELLE 6 (6,4x12x1,6)	WASHER 6 (6,4x12x1,6)	BEILAGSSCHEIBE 6 (6,4x12x1,6)
38	4198559	ANELLO SER.TN 88/8 GREZZO	COLLIER DE SERRAGE	LOCK RING	SPERRING
39	3011284	TUBO 3/8"L=320 SCARICO POMPA 556	TUYAU DE DECHARGE	DRAINING HOSE 3/8" L=320	ABLAßROHR 3/8" L=320
40	3010138	TUBO CILINDRO AUTOCENTR. 551V	TUYAU VERIN	CYLINDER HOSE	ZYLINDERSCHLAUCH
41	3010139	TUBO X CILINDRO CORTO 551V	TUYAU VERIN	CYLINDER PIPE	ZYLINDERROHR
42	3017379	TUBO 3/8" PER CILINDRO LUNGO	TUYAU 3/8" POUR VERIN LONG	3/8" PIPE FOR LONG CYLINDER	3/8" ROHR FUER LANGEN ZYLINDER
43	3017378	TUBO 3/8" PER CILINDRO LUNGO	TUYAU 3/8" POUR VERIN LONG	3/8" PIPE FOR LONG CYLINDER	3/8" ROHR FUER LANGEN ZYLINDER
44	3017384	TUBO 3/16" RACC.1/4 PER MOTORE IDRAULICO	TUYAU 3/16" RACCORD 1/4	3/16" PIPE 1/4 UNION	3/16" ROHR 1/4 ANSCHLUSS
45	3017574	TUBO 3/16" X CILINDRO ROTAZ.RIBALTAMENTO	TUYAU 3/16 VERIN ROTATION BASCUL.	3/16 PIPE TILTING ROTATION CYL.	3/16 ROHR KIPP-DREHUNGSZYLINDER
46	4196137	VALV.IDR.BILANCIAMENTO DOPPIO EFF.	SOUPAPE DE BLOCAGE	STOP VALVE	ABSPERRVENTIL
47	3001063	TUBO PONTE CIL.AUTOCENTR. S551	TUYAU	PIPE	ROHR

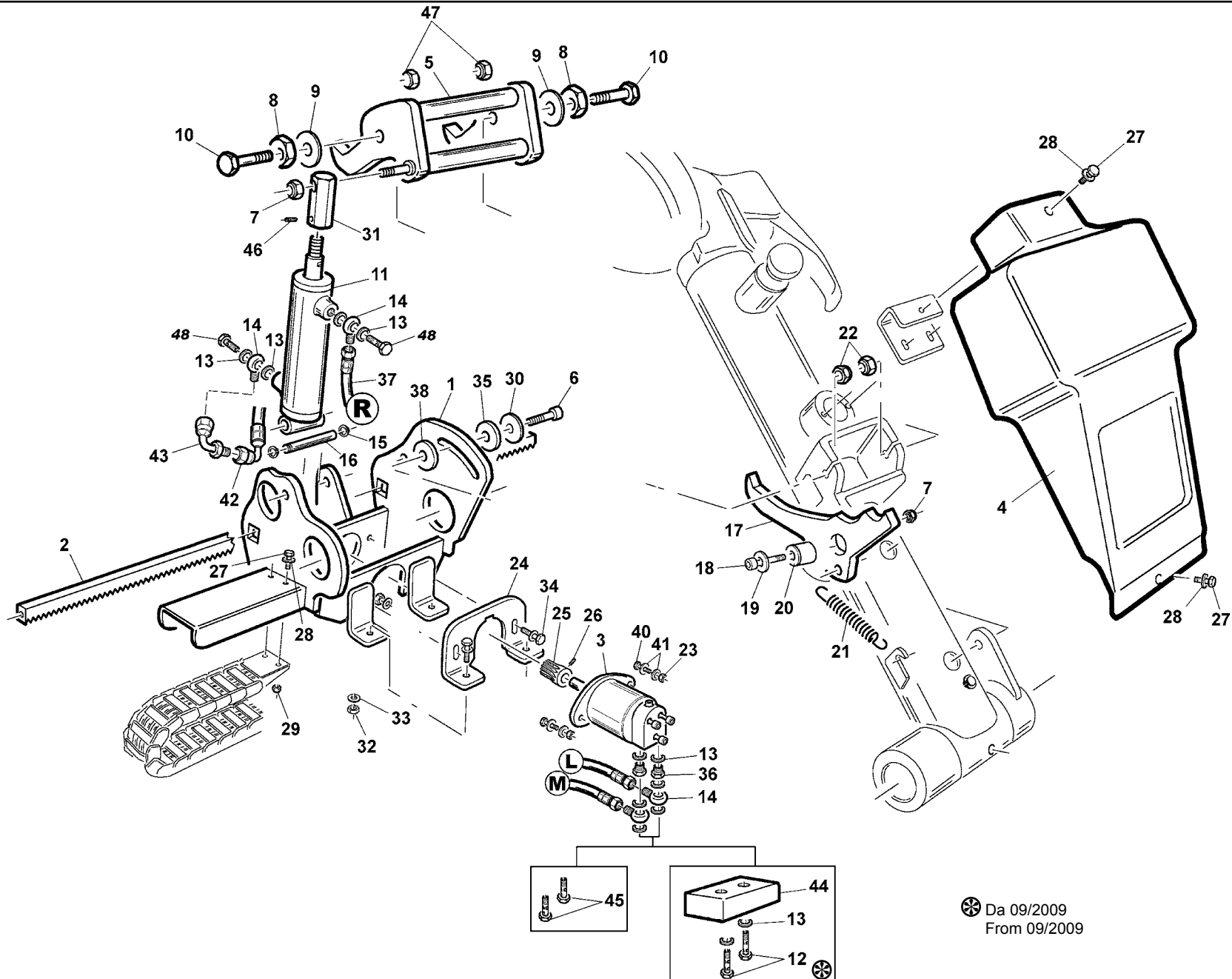


Ref	Code	Descrizione	Description	Description	Beschreibung
1	2029015	CENTRAL.ELETTR. S 560 3PH 50Hz CE	UNITE' ELECTR. 3PH 50HZ CE	ELECTR. UNIT 3PH 50HZ CE	ELEKTR. EINHEIT 3PH 50HZ CE
1/A	2033504	CENTRAL.ELETTR.560 3PH 60Hz CE	UNITE' ELECTR. 3PH 60Hz CE	ELECTR. UNIT 3PH 60HZ CE	ELEKTR. EINHEIT 3PH 60HZ CE
2	4595407	TRASFORMATORE 558	TRANSFORMATEUR	TRANSFORMER	TRAFO
3	4592915	TELERUTTORE 100-C09	TELERUPTEUR 100-C09	CHUCK SWITCH	SPINDEL SCHALTER
3/A	4592914	TELERUTTORE 220V 60HZ	TELERUPTEUR 220V 60HZ	220V 60HZ CHUCK SWITCH	220V 60HZ SPINDEL SCHALTER
4	4592913	SALVAMOTORE 4-6,3	DISJONCTEUR 4-6,3	OVERLOAD CUTOOUT 4-6,3	UEBERLASTSCHALTER 4-6,3
4/A	4594102	SALVAMOTORE LMS25 16-20A	DISJONCTEUR LMS25 16-20A	OVERLOAD CUTOOUT LMS25 16-20A	UEBERLASTSCHALTER LMS25 16-20A
5	4597274	SALVAMOTORE 6,3-10A	DISJONCTEUR 6,3-10A	OVERLOAD CUTOOUT 6,3-10A	UEBERLASTSCHALTER 6,3-10A
5/A	4594102	SALVAMOTORE LMS25 16-20A	DISJONCTEUR LMS25 16-20A	OVERLOAD CUTOOUT LMS25 16-20A	UEBERLASTSCHALTER LMS25 16-20A
6	4599153	INTERUTTORE CENTRALINA	INTERRUPTEUR	SWITCH	SCHALTER
7	2029017	GRAPPOLO CAVI ELETTR. S560	CABLAGE ELECTROVANNE	SOLENOID VALVE WIRING	MAGNETVENTILVERKABELUNG
8	4597897	COMMUTATORE DI POLARITA' S.551	COMMUTATEUR DE POLARITE"	POLE CHANGE SWITCH	POLUMSCHALTER
9	4599160	SPIA BIANCA COMPL.	LAMPE TEMOIN	PILOT LIGHT	KONTROLLICHT
10	4596647	PONTE A DIODI	PONT A" DIODES	DIODE BRIDGE	DIODENBRUECKE
11	4597984	FUSIBILE VETRO 1 A T 250V 5x20	FUSIBLE 1 A 5X20 T 250V	FUSE 1 A 5x20 T 250V	SCHMELZSICHERUNG 250V
12	4597985	PORTAFUSIBILE A CASS. 551	TABLEAU DES FUSIBLES	FUSE CARRIER	SICHERUNGSKOERPER
13	4597707	FUSIBILE VETRO 5A T 250V. 5x20	FUSIBLE 5A T 250V. 5x20	FUSE 5A T 250V. 5x20	SCHMELZSICHERUNG 5A T 250V. 5x20



Ref	Code	Descrizione	Description	Description	Beschreibung
1	6618274	MONTANTE COMANDI PEDALIERA	CONTROL UNIT POST	COLONNE UNITE DE COMMANDE	STEUEREINHEITSAEULE
2	6616639	COPERCHIO SCATOLA PED. -NERO	PEDAL UNIT COVER	COUVERCLE PEDALES	PEDALENABDECKUNG
3	3016526	COPERTURA PEDALIERA-ABS NERO	COVER	COUVERCLE	DECKEL
4	2401100	PEDALE A BILANCIERE C.	PEDAL	PEDALE A' BALANCIER	PEDAL
5	3001131	LEVA COMANDO MICRO	CONTROL LEVER	LEVIER DE COMMANDE	STEUERHEBEL
6	3016505	SUPPORTO JOYSTICK -BRUN.	JOYSTICK SUPPORT	SUPPORT JOYSTICK	JOYSTICK STUETZRING
7	3001135	DISTANZIALE PER PEDALE	SPACER	ENTRETOISE	DISTANZSTUECK
8	3001137	CUFFIA PER MANIPOLATORE	COVER	CAPOT	HAUBE
9	3001138	GUARNIZIONE PER SCATOLA	SEAL	JOINT	DICHTUNG
10	3005718	COP.X PROTEZ. INTERRUETTORE	SWITCH COVER	PROTECTION INTERRUPTEUR	SCHALTERSCHUTZ
11	3016960	PROTEZIONE MANIPOLATORE S558	JOYSTICK PROTECTION	PROTECTION JOYSTICK	JOYSTICKSCHUTZ
12	3007133	MOLLA COMANDO PEDALE	PEDAL CONTROL SPRING	RESSORT COMMANDE PEDALE	PEDALFEDER
13	4299223	ANELLO OR 3056 D.13,94X2,62	O-RING 13,94x2,62	JOINT OR D.13,94x2,62	O-RING D.13,94X2,62
14	3006791	SUPPORTO PLASTICA X INTERRUUT.	PLASTIC SUPPORT	SUPPORT EN PLASTIQUE	KUNSTSTOFFSTUETZE
15	3005928	PIASTRINA X CAVO TERRA	GROUND CABLE PLATE	PLAQUETTE POUR CABLE TERRE	ERDKABELPLAETTCHEN
16	4599125	PROTEZIONE LEVETTA COMMUTATORE	LEVER COVER	PROTECTION LEVIER	HEBELSCHUTZ
17	4399091	VITE AUTOF.TCI 3,5x13	SELF-TAPPING SCREW 3,5x13	VIS AUTOTARADEUSE 3,5x13	BLECHSCHRAUBE 3,5x13
18	6618273	BASE PEDALIERA	CONTROL UNIT FRAME	EMBASE PEDALIER	STEUERPULTRAHMEN
19	4399229	VITE TE 6x10 8.8	SCREW 6x10	VIS 6x10	SCHRAUBE 6X10
20	4599157	DIODO A VALANGA	DIODE	DIODE	DIODE
21	4599220	MORSETTIERA MAMUTH OK 1333 NR	TERMINAL BOARD	BOITE A" BORNES	KLEMMENBRETT
22	4399996	DADO M 4 6S ALTO ZNT	NUT M4	ECROU M4	MUTTER M4
23	4399703	ROND. DEN.ES."A" 4,3x8x0,5	TOOTHED WASHER 4,3x8x0,5	RONDELLE DENTEE 4,3x8x0,5	ZAHNSCHEIBE 4,3X8X0,5
24	3001143	SQUADRETTA PER MICROINTERRUTT.	SQUADRETTA X MICROINTERRUTT.	PLAQUE	HALTERUNG
25	4399998	RONDELLA 6 (6,4x12x1,6)	WASHER 6 (6,4x12x1,6)	RONDELLE 6 (6,4x12x1,6)	BEILAGSSCHEIBE 6 (6,4x12x1,6)
26	4399090	VITE TE 6x30 8.8	SCREW 6x30	VIS 6x30	SCHRAUBE 6X30
27	4399123	VITE TC 3x20	SCREW 3x20	VIS 3x20	SCHRAUBE 3x20
28	4399127	DADO M 3 6S	NUT M3	ECROU M3	MUTTER M3
29	4599219	MICROINTERRUTTORE PEDALIERA	MICROSWITCH	MICRO	MICROSCHALTER
30	4399903	RONDELLA 4 (4,5x12x1,5)	WASHER 4 (4,5x12x1,5)	RONDELLE 4 (4,5x12x1,5)	BEILAGSSCHEIBE 4 (4,5x12x1,5)
31	4399829	RONDELLA 8 (8,4x16x1,5)	WASHER 8 (8,4x16x1,5)	RONDELLE 8 (8,4X16X1,5)	BEILAGSSCHEIBE 8 (8,4x16x1,5)
32	4399954	VITE TCEI M 8x20 8.8	SCREW 8x20	VIS 8x20	SCHRAUBE 8x20
33	4399905	VITE TE 4x12 8.8	SCREW 4x12	VIS 4x12	SCHRAUBE 4x12
34	4399976	DADO M 8 6S	NUT M8	ECROU M8	MUTTER M8
35	4398723	VITE TE 6x12 8.8	SCREW 6x12	VIS 6x12	SCHRAUBE 6x12

Ref	Code	Descrizione	Description	Description	Beschreibung
36	2001300	CAVO CORTO PRESA TERRA PEDAL.	CABLE	CABLE	KABEL
37	4399222	VITE IMPERITURA M 4x14	SCREW M4x14	SCHRAUBE M 4x14	VIS M4x14
38	4399860	VITE TE 4x40 8.8 P.F.	SCREW 4x40	VIS 4x40	SCHRAUBE 4x40
39	4399124	VITE TE 4x16 8.8 ZNT	SCREW 4x16	VIS 4x16	SCHRAUBE 4x16
40	4599221	COMMUTATORE A LEVETTA	LEVER COMMUTATOR	COMMUTATEUR PAR LEVIER	HEBELUMSCHALTER
41	4599129	MICROINTERRUPTORE MANIPOLATORE	MICROSWITCH	MICRO	MICROSCHALTER
42	4599128	PIASTRINA FISS.MICROINTERRUTT.	PLATE	PLAQUE FIXAGE MICROINTERRUPT.	MICROSCHALTERSCHEIBE
43	4397734	VITE AUTOF.TCIC2,9x12,7	SELF-TAPPING SCREW 2,9x12,7	VIS AUTOTARADEUSE 2,9x12,7	BLECHSCHRAUBE 2,9x12,7
44	4594961	INTERRUPTORE A 9 ALETTE	SWITCH	COMMUTATEUR	SCHALTER
45	2027617	CABLAGGIO CAVI PEDAL. S558	CABLE	CABLE	KABEL
46	2029024	PEDALIERA COMANDO S 560 CE	PEDAL CONTROL UNIT	PEDALIER COMMANDE	PEDALSTEUEREINHEIT
47	3595987	MANIPOLATORE S551 S/CUFFIA	MANIPULATOR	MANIPULATEUR	MANIPULATOR
48	2018286	GR. CARPENTERIA PEDALIERA S560	CONTROL UNIT COMPL. FRAME	GR. BATI UNITE` DE COMMANDE	STEUEREINHEITRAHMEN
49	2018297	GR.FUNGO DI EMERGENZA	EMERGENCY STOP BUTTON	BOUTON ARRET D`URGENCE	NOTFALLSPERRKNOPF
50	3019103	IMPUGNATURA D.25 M10	HANDLE D.25 M10	POIGNEE D.25 M10	HANDGRIFF D.25 M10
51	4399951	VITE TE 10x35 8.8	SCREW 10x35	VIS 10x35	SCHRAUBE 10x35



S 560**CARRELLO BRACCIO UTENSILE - TOOL ARM SADDLE - CHARIOT
BRAS OUTIL - WERKZEUGARMSCHLITTEN**

ED. 03/15

TAV. 6.0

Ref Code	Descrizione	Description	Description	Beschreibung
1 2117190	SLITTA BRACCIO UTENSILE-BRUN.	ARM TROLLEY	CHARIOT DE BRAS	ARMSCHLITTEN
2 3017146	CREMAGLIERA 20x20 MOD.2 L=1085	RACKS 20x20 MOD.2 L=1085	CREMAILLERE 20x20 MOD.2 L=1085	ZAHNSTANGE 20x20 MOD.2 L=1085
3 4194968	MOTORE IDR OM 50 C-S-F	HYDR. MOTOR OM 50 C-S-F (OMM)	MOTEUR HYDR. OM 50 C-S-F (OMM)	HYDR. MOTOR OM 50 C-S-F (OMM)
4 3017520	CARENATURA ABS BR.UTENSILE 560	ABS PANEL	PANNEAU EN ABS	ABS PANEEL
5 2118387	GANCIO DOPPIO COMPLETO -BRUNITO	ARM HOOK	CROCHET	ARMHAKEN
6 4397941	VITE TCEI M12x60 12.9 PF	SCREW 12x60	VIS 12x60	SCHRAUBE 12x60
7 4399865	DADO AUTOBL.M12 BASSO	SELF-LOCKING NUT M12	ECROU DE VERROUILLAGE M12	SELBSTSICHERNDE MUTTER M12
8 3018950	ECCENTRICO CRICCHETTO	CAM	CAME	NOCKEN
9 4394154	ROND. DEN.ES."A" 18X30X3,8	WASHER 18X30X3,8	RONDELLE 8 18X30X3,8	BEILAGSSCHEIBE 8 18X30X3,8
10 4397334	VITE TE 18x65 8.8	SCREW 18x65	VIS 18x65	SCHRAUBE 18x65
11 6617456	CILINDRO AGGANCIO UTENSILE-NERO	TOOL HOOKING CYLINDER	VERIN ACCROCHAGE OUTIL	WERKZEUGVERBINDUNGSZYLINDER
12 4197231	BULLONE RACC. 1/4" DOPPIO	DRILLED UNION BOLT 1/4"	BOULON RACCORD PERCE" 1/4"	LOCHVERSCHRAUBUNG 1/4"
13 4399256	ROND. RAME 1/4" (13x19x1,5)	COPPER WASHER 1/4" D.13x19x1,5	RONDELLE EN CUIVRE 1/4" D.13x19x1,5	KUPFERSCHEIBE 1/4" D.13x19x1,5
14 4197297	RACCORDO OCCHIO 1/4"-1/4"	UNION 1/4"	RACCORD 1/4"	ANSCHLUSS 1/4"
15 4398686	ANELLO SEEGER E D.16	SEEGER RING D.16	BAGUE SEEGER D.16	SEEGER RING D.16
16 3017955	PERNO AGG. CIL.SLITTA D16 L85	CYLINDER PIN D16 L85	AXE VERIN D16 L85	ZYLINDERSTIFT D16 L85
17 3018382	LEVA LIBERA GANCIO UTENSILE	TOOL HOOK FREE LEVER	LEVIER	ARMHEBEL
18 4399955	VITE TCEI M12x40 12.9 TF	SCREW 12x40	VIS 12x40	SCHRAUBE 12x40
19 4399981	RONDELLA 12 (13x24x2,5)	WASHER 12 (13x24x2,5)	RONDELLE 12 (13x24x2,5)	BEILAGSSCHEIBE 12 (13x24x2,5)
20 3000117	BOCCOLA CILINDRO STALL. 12x16x13	BUSH	DOUILLE	BUCHSE
21 3000114	MOLLA BRACCIO STALLONATORE	ARM SPRING	RESSORT BRAS DECOLLEUR	ARMFEDER
22 4399316	DADO AUTOBL.M18x1,5 h=18	SELF-LOCKING NUT 18x1,5 h=18	ECROU DE VERROUILLAGE 18x1,5	SELBSTSICHERNDE MUTTER 18x1,5 H=18
23 4399976	DADO M 8 6S	NUT M8	ECROU M8	MUTTER M8
24 6617981	STAFFA SUPERIORE -NERA	UPPER SUPPORT PLATE	PLAQUE SUPPORT SUPERIEURE	OBERSTUETZPLATTE
25 3017145	INGRANAGGIO TRASLAZIONE UT.	GEAR	ENGRAINAGE	GETRIEBE
26 4394632	VITE STEI 5x10	SCREW STEI 5x10 P.P.	VIS STEI 5x10 P.P.	SCHRAUBE STEI 5x10 P.P.
27 4399892	VITE TE 6x20 8.8	SCREW 6x20	VIS 6x20	SCHRAUBE 6x20
28 4399998	RONDELLA 6 (6,4x12x1,6)	WASHER 6 (6,4x12x1,6)	RONDELLE 6 (6,4x12x1,6)	BEILAGSSCHEIBE 6 (6,4x12x1,6)
29 4399889	DADO M 6 6S	NUT M6	ECROU M6	MUTTER M6
30 3001067	RONDELLA FERMO ASTA E PERNO	WASHER	RONDELLE	BEILAGSSCHEIBE
31 3017588	TERMINALE ASTA CILINDRO -BRUNITA	CYLINDER SHAFT TOP END	CYLINDER SHAFT TOP END	ZYLINDERWELLEVERSCHLUSS
32 4399900	DADO AUTOBL.M 8 BASSO	SELF-LOCKING NUT M8	ECROU DE VERROUILLAGE M8	SELBSTSPERRENDE MUTTER M8
33 4399829	RONDELLA 8 (8,4x16x1,5)	WASHER 8 (8,4x16x1,5)	RONDELLE 8 (8,4X16X1,5)	BEILAGSSCHEIBE 8 (8,4x16x1,5)
34 4399901	VITE TE 8x30 8.8	SCREW 8x30	VIS 8x30	SCHRAUBE 8x30
35 3016903	ROND. ARNITE (12,5x50x5)	WASHER (12,5x50x5)	RONDELLE (12,5x50x5)	BEILAGSSCHEIBE (12,5x50x5)
36 4197186	RIDUZIONE IDR. M3/8"-F1/4"	HYDR. REDUCTION PIECE M3/8" F1/4"	REDUCTION HYDRAULIQUE M3/8" F1/4"	HYDR.UNTERSETZUNG M3/8" F1/4"

S 560**CARRELLO BRACCIO UTENSILE - TOOL ARM SADDLE - CHARIOT
BRAS OUTIL - WERKZEUGARMSCHLITTEN**

ED. 03/15

TAV. 6.0

Ref	Code	Descrizione	Description	Description	Beschreibung
37	3017574	TUBO 3/16 X CILINDRO ROTAZ.RIBALTAMENTO	3/16 PIPE TILTING ROTATION CYL.	TUYAU 3/16 VERIN ROTATION BASCUL.	3/16 ROHR KIPP-DREHUNGSZYLINDER
38	3017586	ROND. NYLON NERO (12,5x50x8)	NYLON WASHER	RONDELLE NYLON	NYLON BEILAGSSCHEIBE
40	4399935	VITE TE 8x25 8.8	SCREW 8X25	VIS 8x25	SCHRAUBE 8x25
41	4399829	RONDELLA 8 (8,4x16x1,5)	WASHER 8 (8,4x16x1,5)	RONDELLE 8 (8,4X16X1,5)	BEILAGSSCHEIBE 8 (8,4x16x1,5)
42	3019100	TUBO 3/16 X CILINDRO ROTAZ.RIBALT. 90°	3/16 PIPE TILTING ROTATION CYL.	TUYAU 3/16 VERIN ROTATION BASCUL.	3/16 ROHR KIPP-DREHUNGSZYLINDER
43	4198320	RACCORDO GIUM M/F C90 1/4"	UNION M/F 1/4"	RACCORD M/F 1/4"	ANSCHLUSS M/F 1/4"
44	2032307	VALVOLA REGOLATRICE PORTATA MOT. IDRA.	FLOW DELIVERY HYDR. BLOCK	BLOC HYDR. REGLAGE DEBIT	OELDURCHFLUSSREGLER
45	4199249	BULLONE RACCORDO FORATO 1/4"	DRILLED UNION BOLT 1/4"	BOULON RACCORD PERCE" 1/4"	LOCHVERSCHRAUBUNG 1/4"
46	4399121	VITE STEI 6x6 P.P.	SCREW 6x6	VIS 6x6	SCHRAUBE 6x6
47	4398725	DADO AUTOBL.MA18 ALTO	SELF-LOCKING NUT M18	ECROU DE VERROUILLAGE M18	SELBSTSICHERNDE MUTTER M18
48	4194793	BULLONE RACC.1/4" STROZZ. 1 X 1mm	1/4" UNION BOLT	BOULON RACCORD 1/4"	1/4" ANSCHLUSSBOLZEN

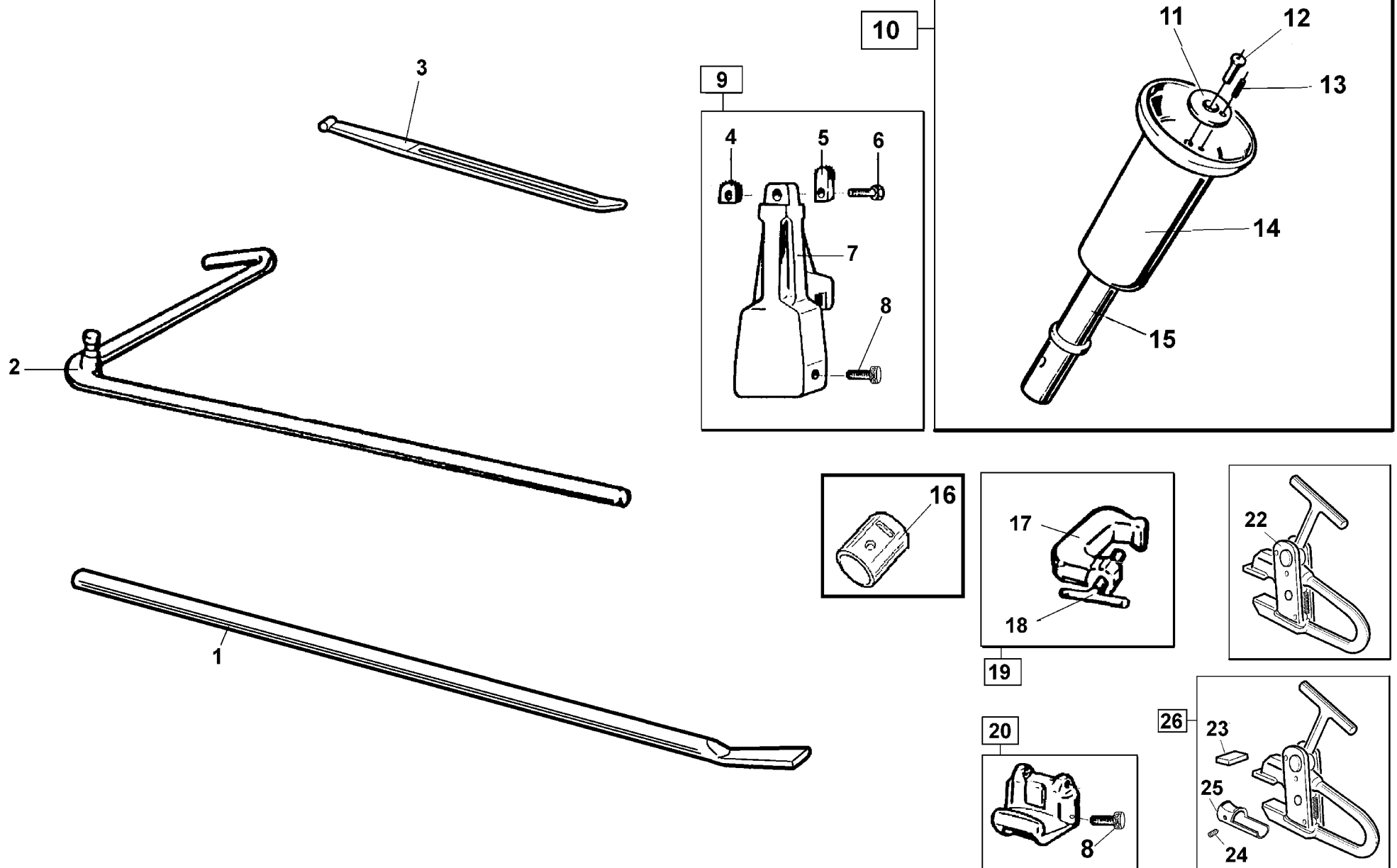
S 560**UTENSILE MOBILE - MOBILE TOOL - OUTIL
MOBILE - FAHRBARES WERKZEUG**

ED. 03/15

TAV. 7.0

Ref	Code	Descrizione	Description	Description	Beschreibung
1	6617227	BRACCIO UTENSILE NERO	TOOL ARM	BRAS OUTIL	WERKZEUGARM
2	6615073	CILINDRO ROT.UT. D.50 C=105 NERO	CYLINDER	VERIN	ZYLINDER
3	3014369	PERNO CIL.ROTAZ. D16 L110	ROT. CYLINDER PIN	AXE VERIN ROTATION	DREHZYLINDERSTIFT
4	4398686	ANELLO SEEGER E D.16	SEEGER RING D.16	BAGUE SEEGER D.16	SEEGER RING D.16
5	2119470	CAVALL. CON FINE CORSA GANCIO - ZNT.	PLATE	PLAQUE	PLAETTCHEN
6	4399946	VITE TE 8x16 8.8	SCREW 8x16	VIS 8x16	SCHRAUBE 8x16
7	4399829	RONDELLA 8 (8,4x16x1,5)	WASHER 8 (8,4x16x1,5)	RONDELLE 8 (8,4x16x1,5)	BEILAGSSCHEIBE 8 (8,4x16x1,5)
8	4197297	RACCORDO OCCHIO 1/4"-1/4"	UNION 1/4"	RACCORD 1/4"	ANSCHLUSS 1/4"
9	4399256	ROND. RAME 1/4" (13x19x1,5)	COPPER WASHER 1/4" D.13x19x1,5	RONDELLE EN CUIVRE 1/4" D.13x19x1,5	KUPFERSCHEIBE 1/4" D.13x19x1,5
10	3017060	COLONNETTA M/F 1/4" H=16 h=8,5	FERRULE M/F 1/4" H=16 h=8,5	COLONNETTE M/F 1/4" H=16 h=8,5	BUECHSE M/F 1/4" H=16 h=8,5
11	4194793	BULLONE RACC.1/4" STROZZ. 1 X 1mm	1/4" UNION BOLT	BOULON RACCORD 1/4"	1/4" ANSCHLUSSBOLZEN
12	3014509	DISTANZIALE -CEMENTATO	SPACER	ENTRETOISE	ABSTANDSSTUECK
13	4399963	DADO AUTOBL.M16 BASSO	SELF-LOCKING NUT M16	ECROU DE VERROUILLAGE M16	SELBSTSICHERNDE MUTTER M16
14	2114371	MOZZO ROTAZIONE UTENS.558	ROTATION HUB	MOYEU ROTATION	DREHNABE
15	2019657	PERNO ROTAZ.UT.-TEMPRATO	PIN	AXE	STIFT
16	4399229	VITE TE 6x10 8.8	SCREW 6x10	VIS 6x10	SCHRAUBE 6X10
17	3014373	PERNO OTTURATORE-TEMPRATO	PIN	AXE	STIFT
18	3000036	MOLLA PER PERNO BLOCC. LAT.	SPRING	RESSORT	FEDER
19	3014374	BUSSOLA OTTURATORE-BRUN.	BUSH	DOUILLE	BUECHSE
20	4295750	POMOLO PLASTICA D.50 M12 F-NERO	PLASTIC KNOB D.50 M12	POMMEAU PLASTIQUE D.50 M12	KUNSTSTOFFGRIFF D.50 M12
21	2014377	GR.UTENSILE DOPPIO 558	DOUBLE TOOL	OUTIL DOUBLE	DOPPELWERKZEUG
22	3010837	PERNO FIL. PER UTENSILE-BRUNITO	THREADED PIN	AXE TARAUDE	GEWINDESTIFT
23	3010841	GANCIO ATTACCO MOLLA- ZNT B.	SPRING CONNECTION	CROCHET ATTACHE RESSORT	FEDERKUPPLUNGSHAKEN
24	2110835	UTENSILE LUNGO - BRUN.	LONG MOUNTING TOOL	OUTIL DE MONTAGE	MONTIERWERKZEUG
25	4399295	DADO M16 6S BASSO	NUT M16	ECROU M16	MUTTER M16
26	2114736	MONOSTAFFA 558 - BRUN.	SUPPORT	SUPPORT	STUETZE
28	4396915	ANELLO COMPENSAZ. 41x52Ex0,5	RING 41x52Ex0,5 (3)	JOINT 41x52Ex0,5 (3)	RING 41x52Ex0,5 (3)
29	3010831	PERNO DISCO UT. DOPPIO-RETTIF.	PIN	AXE	STIFT
30	3001266	MOLLA D.18 L=72	SPRING D.18 L=72	RESSORT D.18 L=72	FEDER D.18 L=72

31	4396916	DADO AUTOBL.M27x3 BASSO	SELF-LOCKING NUT 27x3	ECROU DE VERROUILLAGE 27x3	SELBSTSICHERNDE MUTTER 27x3
32	4397896	VITE TCEI M10x50 8.8	SCREW 10x50	VIS 10x50	SCHRAUBE 10x50
33	4398263	RONDELLA 12,5x48x3 SPEC.	WASHER D.12,5x48x3	RONDELLE D.12,5x48x3	BEILAGSSCHEIBE D.12,5x48x3
34	3016903	ROND. ARNITE (12,5x50x5)	WASHER (12,5x50x5)	RONDELLE (12,5x50x5)	BEILAGSSCHEIBE (12,5x50x5)
35	3017586	ROND. NYLON NERO (12,5x50x8)	NYLON WASHER	RONDELLE NYLON	NYLON BEILAGSSCHEIBE
36	4399865	DADO AUTOBL.M12 BASSO	SELF-LOCKING NUT M12	ECROU DE VERROUILLAGE M12	SELBSTSICHERNDE MUTTER M12
38	2019101	GR. DISCO STALLONATORE S551-S560.	BEAD BREAKING DISK	DISQUE DECOLLE-TALONS	WULSTABDRUECKPLATTE
39	3017574	TUBO 3/8 X CILINDRO ROTAZ.RIBALT.	3/16 PIPE TILTING ROTATION CYL.	TUYAU 3/16 VERIN ROTATION BASCUL.	3/16 ROHR KIPP-DREHUNGSZYLINDER
40	4399880	VITE TE 10x40 8.8	SCREW 10x40	VIS 10x40	SCHRAUBE 10x40
41	4399969	DADO M10 6S ALTO ZNT	NUT M10	ECROU M10	MUTTER M10
42	3018128	TAPPO AMMORTIZZ. D.60 H.40	SHOCK ABSORBER CAP D.60 H.40	SHOCK ABSORBER CAP D.60 H.40	STOSSDAEMPFERPFROPFEN D.60 H.40
43	3032656	DISTANZIALE	SPACER	ENTRETOISE	ABSTANDSSTUECK
44	4396218	VITE STEI 6x10 P.P.	SCREW 6x10	VIS 6x10	SCHRAUBE 6x10
45	4396341	ROND.BOND 1/4"(13,5x21x12) ZNT	BOND WASHER 1/4" D.13,5x21x12	RONDELLE BOND 1/4" D.13,5x21x12	KUPFERSCHEIBE 1/4" D.13,5x21x12



Ref	Code	Descrizione	Description	Description	Beschreibung
1	6601002	LEVA ALZATALLONI SMTG CAMION	LEVIER DECOLLE-TALONS	LONG BEAD LIFTING LEVER	WULSTAUSDRUECKHEBEL
2	9299269	141/90 LEVA GUIDA TALLONI	141/90 LEVIER GUIDE TALLONS	141/90 BEAD GUIDE LEVER	141/90 WULSTFUSSFUEHRUNGSHEBEL
3	3001061	LEVA PER CERCHIETTI	LEVIER POUR TRINGLES	SHORT TYRE LEVER	HEBEL f. WULSTKERNE
4	3001315	GRIFFA A SETTORE	MORS A' SECTEUR	CLAMP	GREIFER
5	3001313	GRIFFA CON FERMO	MORS AVEC ARRET	CLAMP	KLAUE m. ANSCHLAG
6	4399089	VITE TE 12x40 8.8 5739	VIS	SCREW	SCHRAUBE TE M12X 40 8.8
7	3001314	PROLUNGA AUTOCENTRANTE	RALLONGE AUTOCENTREUR	EXTENSION	VERLAENGERUNG
8	3001384	VITE AD ALETTE M8 SPECIALE	VIS SPECIAL M8	SCREW	SONDERDAUMENSCHRAUBE M8
9	2001316	PROLUNGA AUTOCENTRANTE COMPL.	RALLONGE POUR AUTOCENTREUR	EXTENSION	SELBSTZENTR. VERLAENGERUNG
10	9299274	135/90 RULLO MONTAGG. TUBELESS	135/90 GALET POUR TUBELESS	135/90 TUBELESS ROLLER	135/90 TUBELESS MONTIERROLLE
11	3001307	RONDELLA RULLO PER TUBELESS	RONDELLE	WASHER	BEILAGSSCHEIBE
12	4399119	SPINA ELASTICA D.6x10	CHEVILLE ELASTIQUE D.6x10	ELASTIC PIN D.6x10	FEDERSTIFT D 6X 10
13	4399120	VITE TSPEI M10x20	VIS 10x20	SCREW 10x20	SCHRAUBE 10X20
14	3001308	RULLO MONTAGGIO TUBELESS	GALET MONTAGE TUBELESS	ROLLER	MONTIERROLLE
15	3001309	STELO PER RULLO	TIGE POUR ROULEAU	SHAFT	STANGE
16	9214078	268/04 KIT ADATT.RULLO TUB.	268/04 ADAPTATEUR ROULEAU	268/04 ROLLER ADAPTOR	268/04 ROLLEN-ADAPTER
17	3001311	MORSETTO	BORNE	CLAMP	KLEMME
18	3001310	VITE PER MORSETTO	VIS POUR MORS	SCREW	SCHRAUBE f. KLEMME
19	2001312	MORSETTO CON VITE COMPL.	ETAU AVEC VIS	CLAMP WITH SCREW	SCHRAUBKLOBEN
20	2001302	GRIFFA PER CERCHI IN LEGA	MORS POUR JANTES EN ALLIAGE	CLAMP FOR ALLOY RIM	KLAUE f. ALU-FELGEN
22	2001059	PINZA PER CERCHIONI	PINCE POUR JANTES	PLIER	ZANGE f. FELGEN
23	3001304	TASSELLO SUPERIORE PINZA	GOUJON	SCREW ANCHOR	DUEBEL
24	4399121	VITE STEI 6x6 P.P. 5923	VIS 6x6	SCREW 6x6	SCHRAUBE 6x6
25	3001303	MANICOTTO INFERIORE PINZA	MANCHON INFERIEUR PINCE	LOWER COUPLING	MUFFE
26	9299271	138/90 PINZA X CERCHI IN LEGA	138/90 PINCE POUR JANTES EN	138/90 PLIERS FOR ALLOY RIMS	138/90 GREIFZANGE f. ALUFELGEN



GIULIANO INDUSTRIAL S.p.A.

Via Guerrieri, 6 - 42015 Correggio (Reggio Emilia) - ITALY

Tel. +39. 522. 731.111 - Fax. +39. 522. 633.109