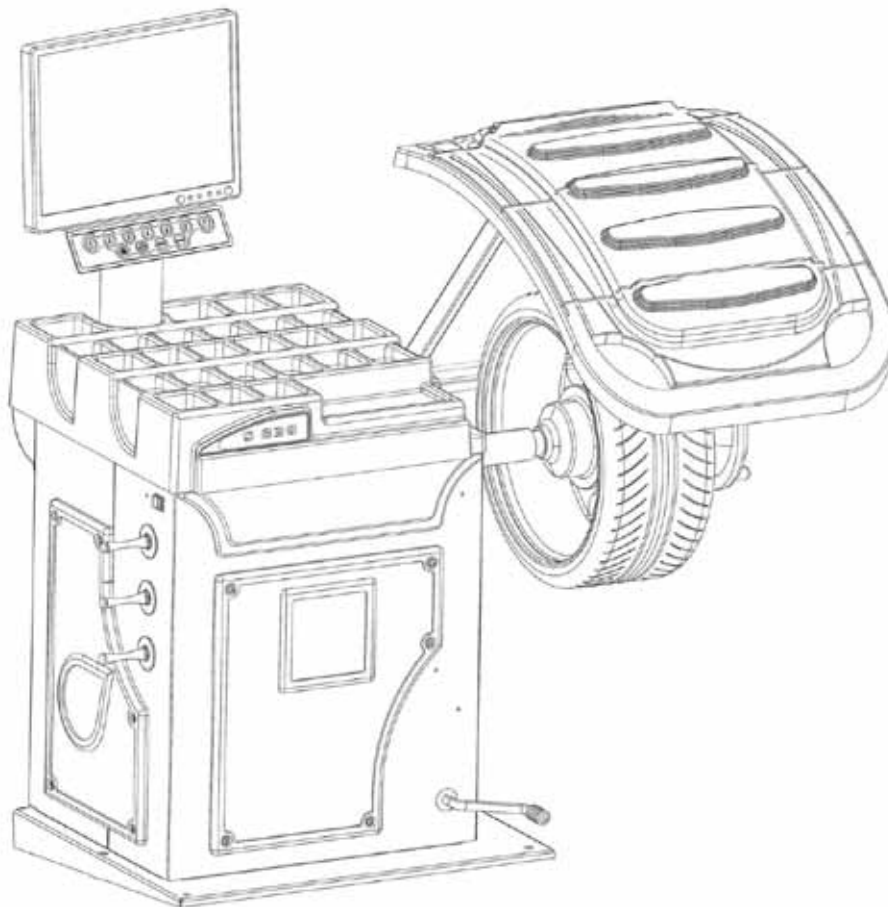


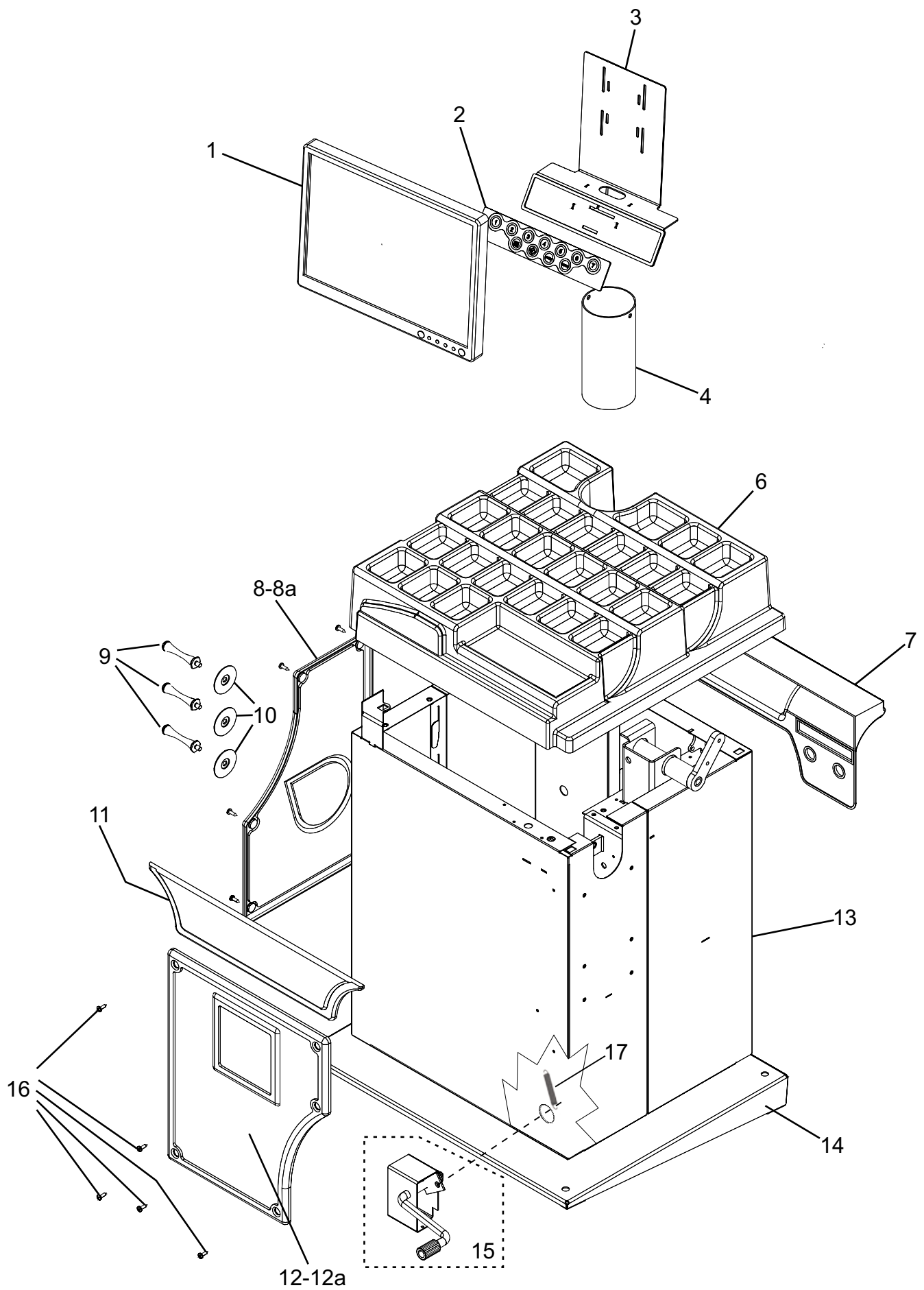


- CATALOGO RICAMBI ORIGINALI
- ORIGINAL SPARE PARTS
- CATALOGUE PIECES D'ORIGINE
- ORIGINALESATZTEILE

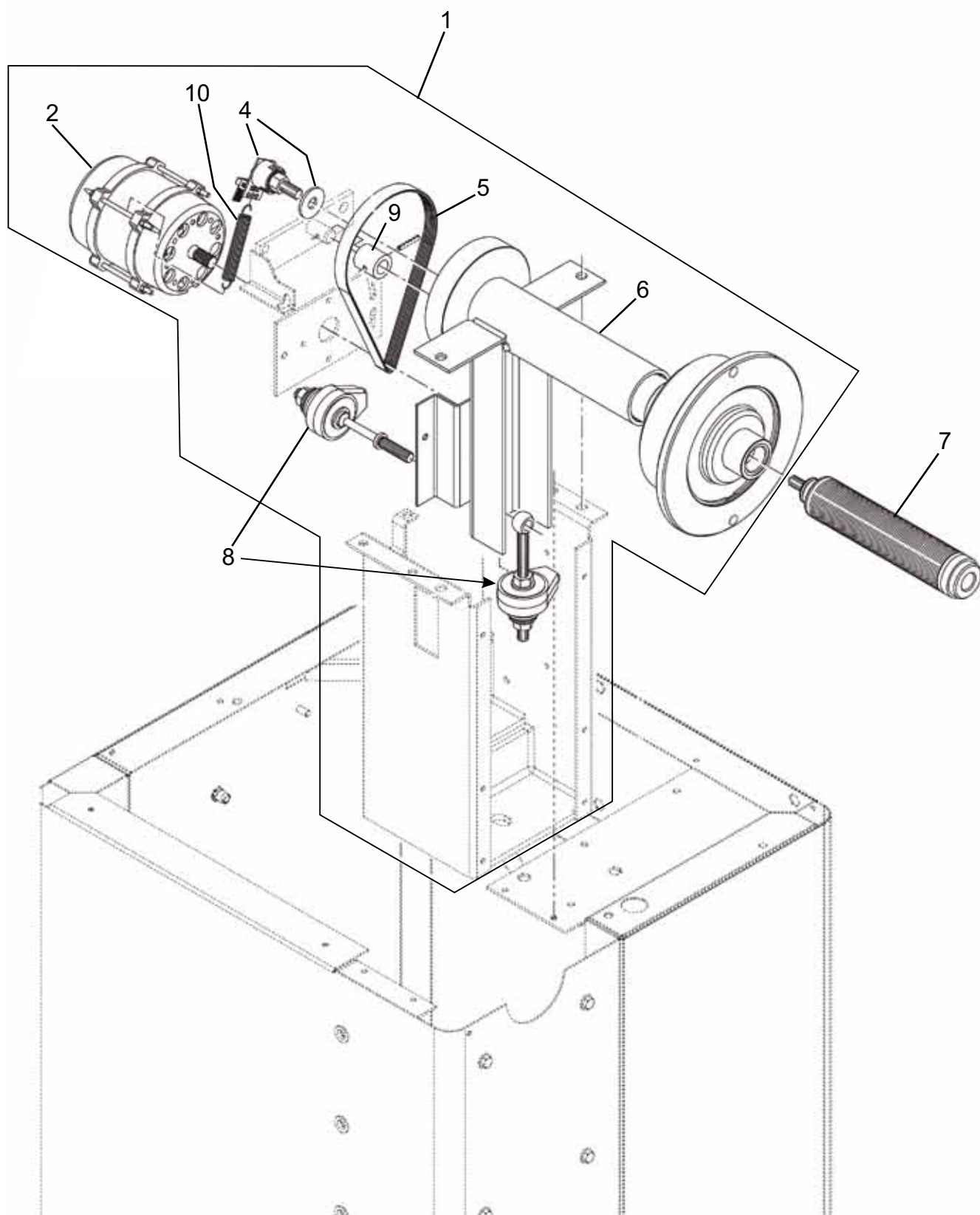
5830



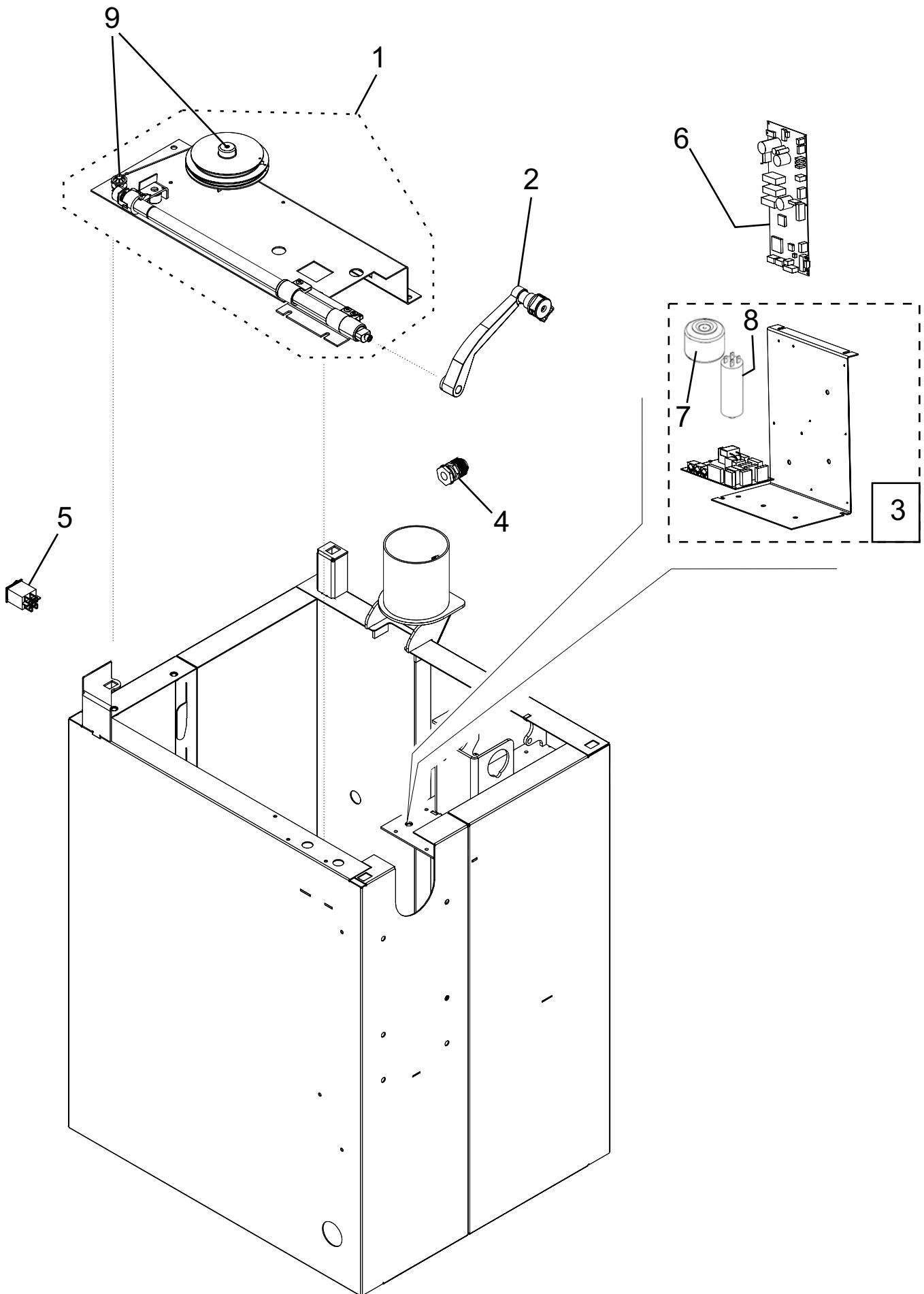
Ed.02/2014 Cod.3036831



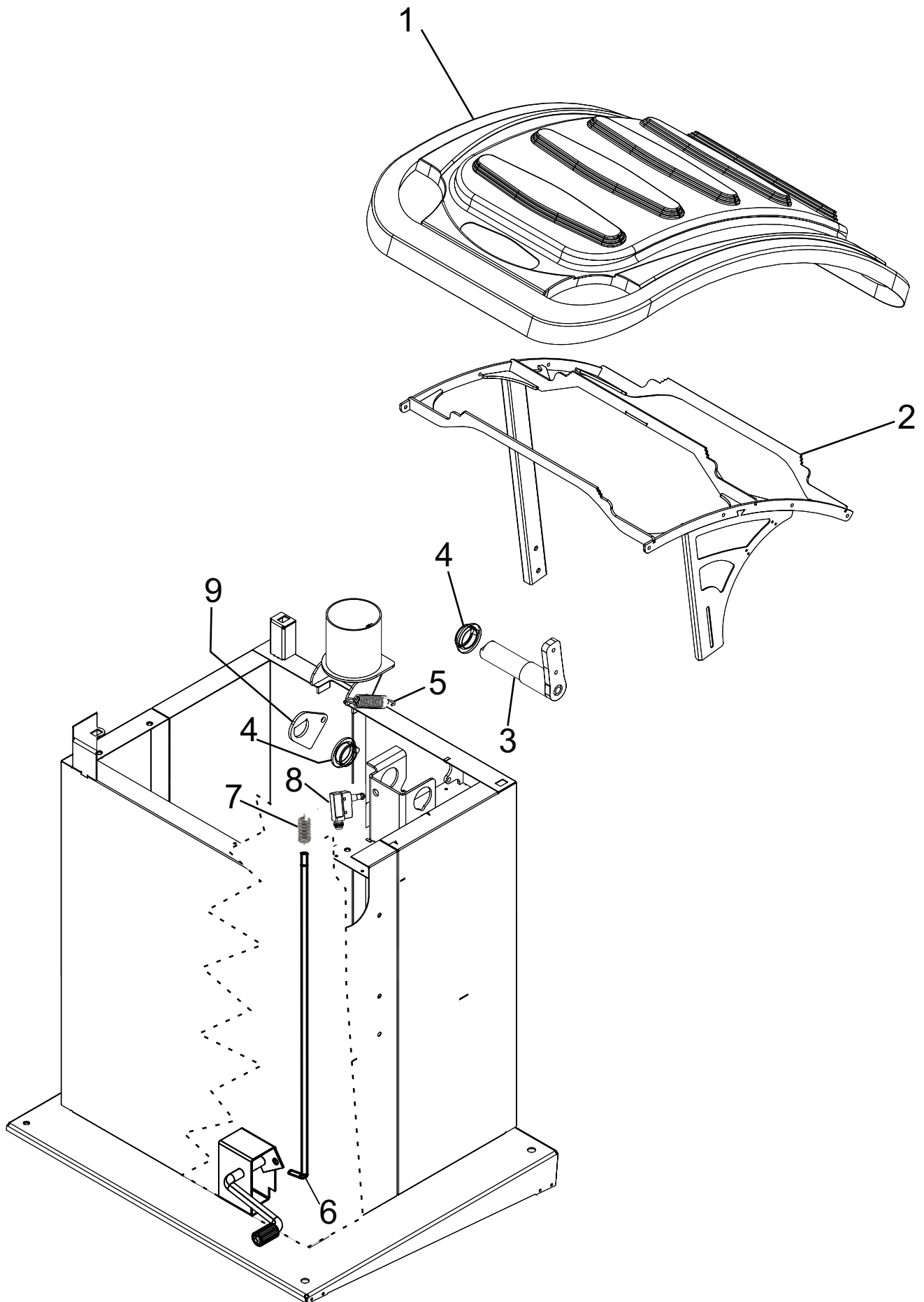
Ref Code	Descrizione	Description	
1	4595475	MONITOR 19" LCD	MONITOR 19" LCD
2	3035896	TASTIERA EQUILIBRATRICE	KEYBOARD
3	6634984	FLANGIA MONITOR COMPL.	COMPL. MONITOR FLANGE - BLACK
4	6634981	COLONNETTA MONITOR COMPL.	MONITOR POST - BLACK
6	3034779	COPERTURA PORTAPESI ABS	WEIGHTS HOLDER ABS COVER
7	3034780	COPERTURA POSTERIORE ABS	ABS BACK COVER
8	3036131	PANNELLO LATERALE ABS - BLU	ABS SIDE PANEL - BLUE
8a	3036131R	PANNELLO LATERALE ABS - ROSSO	ABS SIDE COVER - RED
9	3036383	PERNO PORTA CONO	CONE HOLDER - PLASTICIZED BLACK
10	3593127	DISCO PER PERNO PORTA CONO	DISC FOR CONE HOLDER
11	3036039	FRONTALINO ABS	ABS FRONT
12	3036132	PANNELLO ANTERIORE ABS - BLU	ABS FRONT PANEL - BLUE
12a	3036132R	PANNELLO ANTERIORE ABS - ROSSO	ABS FRONT PANEL - RED
13	5834932	CARCASSA COMPLETO	COMPL. CHASSIS
14	6634959	PIEDE INCLINATO COMPLETO	COMPL. RAKING FOOT - PAINTED BLACK
15	3593228	GR. FRENO A PEDALE	PEDAL BRAKE
16	4393122	VITE AUTOPERF. TC+ 4x25 (4,2 X 25)	SELF-TAPPING SCREW TC+ 4x25 (4,2 X 25) ZNT BLACK
17	3593294	MOLLA FRENO A PEDALE	PEDAL BRAKE SPRING



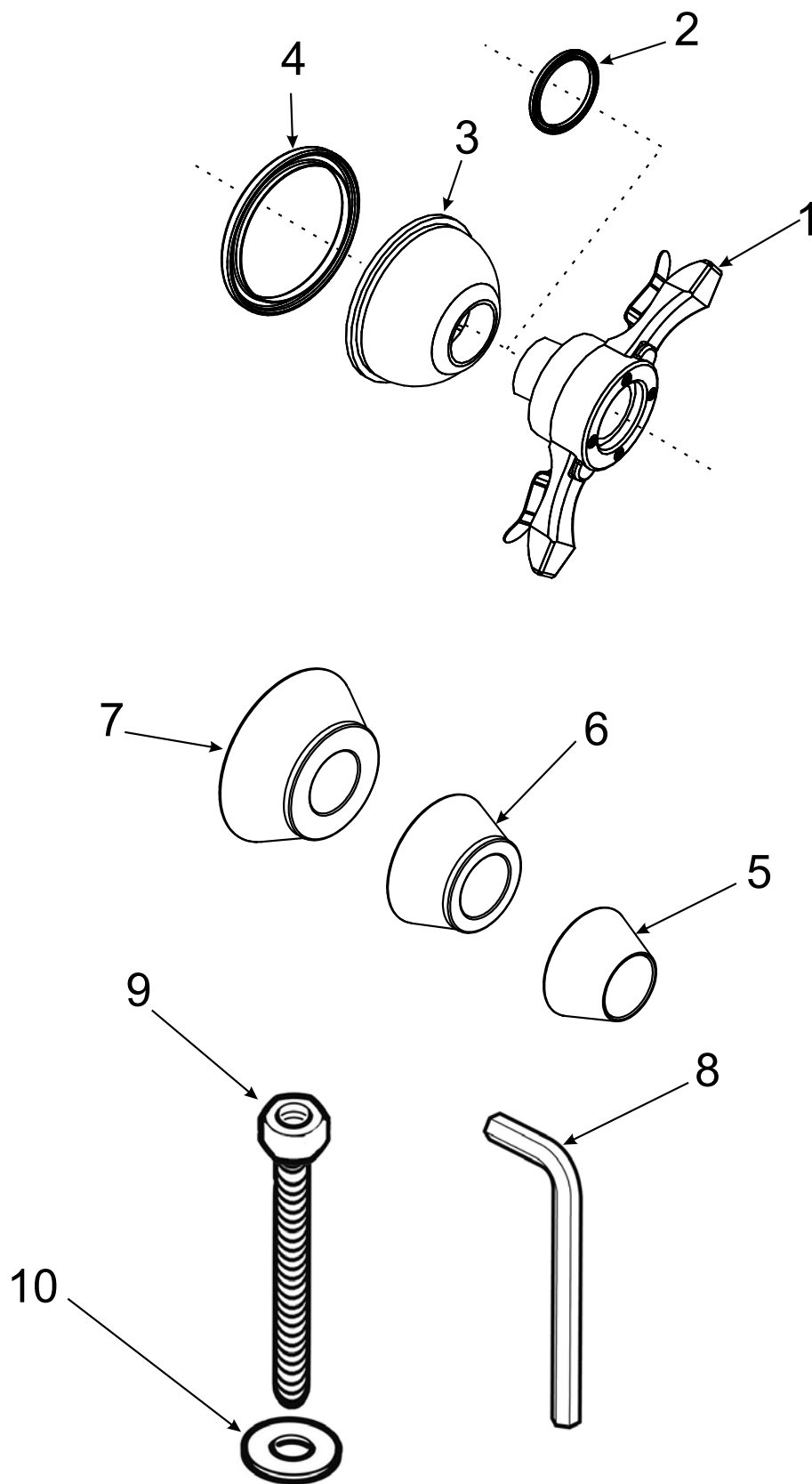
Ref	Code	Descrizione	Description
1	3535098	SCATOLA C/LEVA FRENO V230	BOX WITH BRAKE LEVER V230
2	3592967	MOTORE 230V	MOTOR 230V
4	3535100	DATORE DI FASE + MAGNETE C206/K12 (K)	PICK UP BOARD
5	3593612	CINGHIA POLY-V TB2/7x480	BELT POLY-V TB2/7x480
6	3592965	ALBERO COMPLETO	COMPL. SHAFT
7	3535099	TERMINALE FIL. DM40 AL(L.205,5)(K)	THREADED END D.40 AL(L.205,5)(K)
8	3592964	PIEZO COMPLETO	PIEZO SENSOR
9	3592966	BOCCOLA FRENO	BRAKE BUSH
10	3593281	MOLLA X D.F MAGNETICO	SPRING X MAGNETIC PICK UP BOARD



Ref	Code	Descrizione	Description
1	3535101	CALIBRO AUTO DIST-DM+CAVI C73-L/B	AUTOM. GAUGE DIST.-DIAM. + CABLES C73-L/B
2	3596130	INDICE CALIBRO CON PINZETTA (K)	DISTANCE GAUGE POINTER WITH TONGS (K)
3	3535221	PIASTRA POTENZA V230 C87 EVO/C	POWER BOARD V230 C87 EVO/C
4	4598341	PRESSACAPO PG 11 GW52003 IP66 + GHIERA	CABLE FASTENER PG 11 GW52003 IP66 + RING NUT
5	3595875	INTERRUTTORE BASCULANTE 2P/16A C68 NER/NER	SWITCH 2P/16A C68 NER/NER
6	3593279	SCD.EL.S 830 (67D78635B)	PLC BOARD
7	3592957	TRASFORMATORE 80VA	TRANSFORMER
8	3595873	CONDENS.EL.10MF/450V FT/VT-M8	CONDENSER 10MF/450V
9	3593095	POTENZ.DIAMETRO E DISTANZA	DISTANCE/DIAMETER POTENTIOMETER CABLE



Ref	Code	Descrizione	Description
1	3034979	GUSCIO ABS PROTEZIONE RUOTA	ABS WHEEL GUARD
2	6636248	TELAIO PER ABS PROTEZIONE RUOTA	FRAME FOR ABS WHEEL GUARD - PAINTED BLACK
3	2134976	PERNO FINECORSIA COMPLETO	LIMIT STOP PIN - ZNT
4	3596220	BOCCOLA TELAIO TUBOLARE	FRAME BUSH
5	3000114	MOLLA PROTEZIONE RUOTA	SPRING
6	3035139	ASTA FRENO A PEDALE - ZNT	PEDAL BRAKE SHAFT - ZNT
7	3093283	MOLLA COMM. D. 11.8A (MOLLA ASTA FRENO)	SPRING
8	3593117	CV.C/MICRO CSA (L=1mt)	CABLE w/ MICROSWITCH
9	3034978	PIASTRA FINECORSIA	LIMIT SWITCH PLATE



Ref	Code	Descrizione	Description
1	3594984	GHIERA RAPIDA GP40	QUICK RING NUT GP40
2	3594972	ANELLO PRESSIONE X FLANGIA STND. D.40	PRESSURE RING X FLANGE D.40
3	3594973	MANICOTTO X FLANGIA STND. D.40	SLEEVE FOR FLANGE D.40
4	3593443	ANELLO IN PULIORETANO	POLYURETHAN RING
5	3595091	CONO D. 43-69 D.40	CONE D.43-69 D.40
6	3595092	CONO D. 60-81 D.40	CONE D.60-81 D.40
7	3595093	CONO D. 79-110 D.40	CONE D.79-110 D.40
8	3596761	CHIAVE ESAGONALE 8 mm	HEXAGON WRENCH 8
9	3596869	VITE TCEI M10x160 UNI 5931	SCREW 10x160
10	4398626	ROND.DENT.CON.D.10(10,5x16x1,2)ZNT	TOOTHED WASHER D.10



GIULIANO INDUSTRIAL S.p.A.

Via Guerrieri, 6

42015 CORREGGIO (RE)

www.giuliano-automotive.com

info@giuliano-automotive.com